

# PGS908DEP

## GE Profile™ 30" Slide-In Gas Range

### Dimensions and Installation Information (in inches)

Rear filler strip or backguard are available for these ranges

**Note:** Door handle protrudes 3" from door face. Cabinets and drawers on adjacent 45° and 90° walls should be placed to avoid interference with the handle.

**Note:** Cabinets installed adjacent to slide-in ranges must have an adhesion spec of at least 194° temperature rating.

### Optional Kits for Slide-In Gas Ranges:

(Available at additional cost)

#### Lower/Side Trim Kits

JXS56BB - Lower Trim Kit (Black)

JXS56WW - Lower Trim Kit (White)

#### Accessory Backguards

JXS32BB - Black Accessory Backguard

JXS37BB - Black Glass Accessory Backguard

JXS32WW - White Accessory Backguard

JXS37WW - White Glass Accessory Backguard

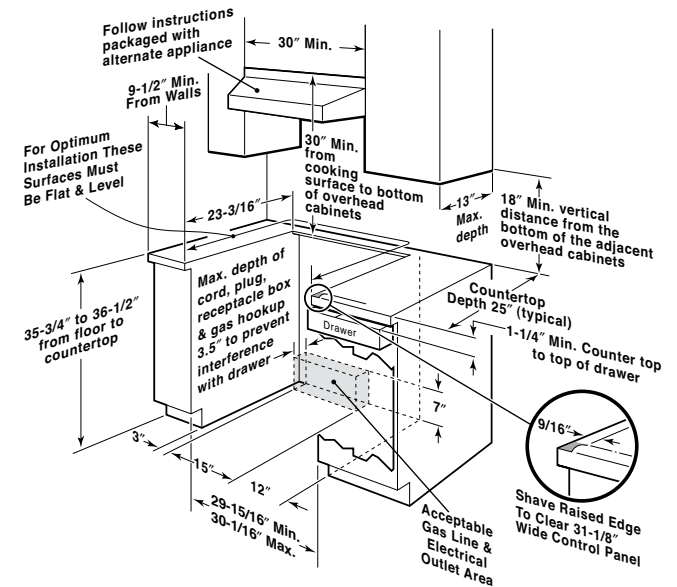
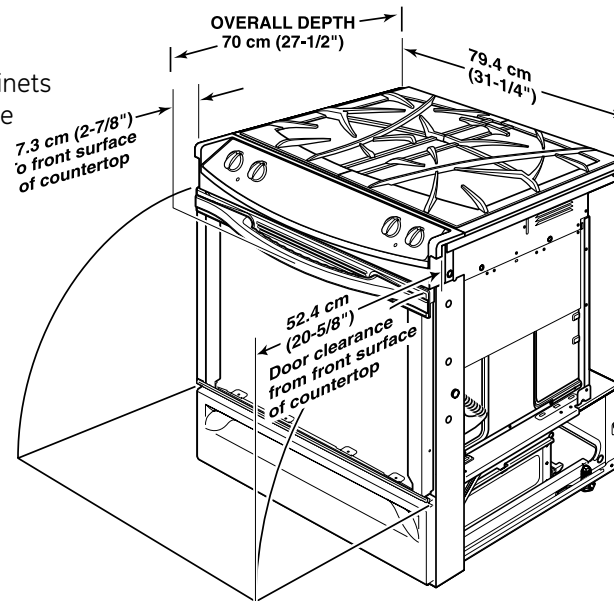
#### Rear Filler Strip

WB07T10680 - Black Filler Strip Assembly

WB07T10681 - White Filler Strip Assembly

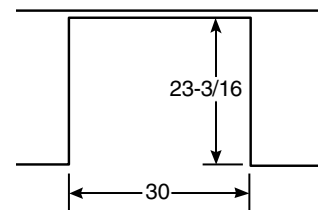
**Installation Information:** Before installing, consult installation instructions packed with product for current dimensional data.

For answers to your Monogram®, GE Profile™ or GE® appliance questions, visit our website at [ge.com](http://ge.com) or call GE Answer Center® service, 800.626.2000.

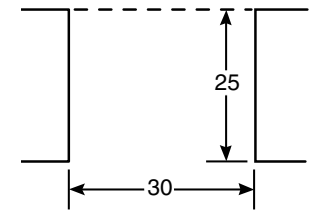


### Counter Cutout Dimensions (in inches)

If you are NOT using the Filler strip or Backguard:



If you are using the Filler strip or Backguard:



All GE ranges are equipped with an Anti-Tip device. The installation of this device is an important, required step in the installation of the range.

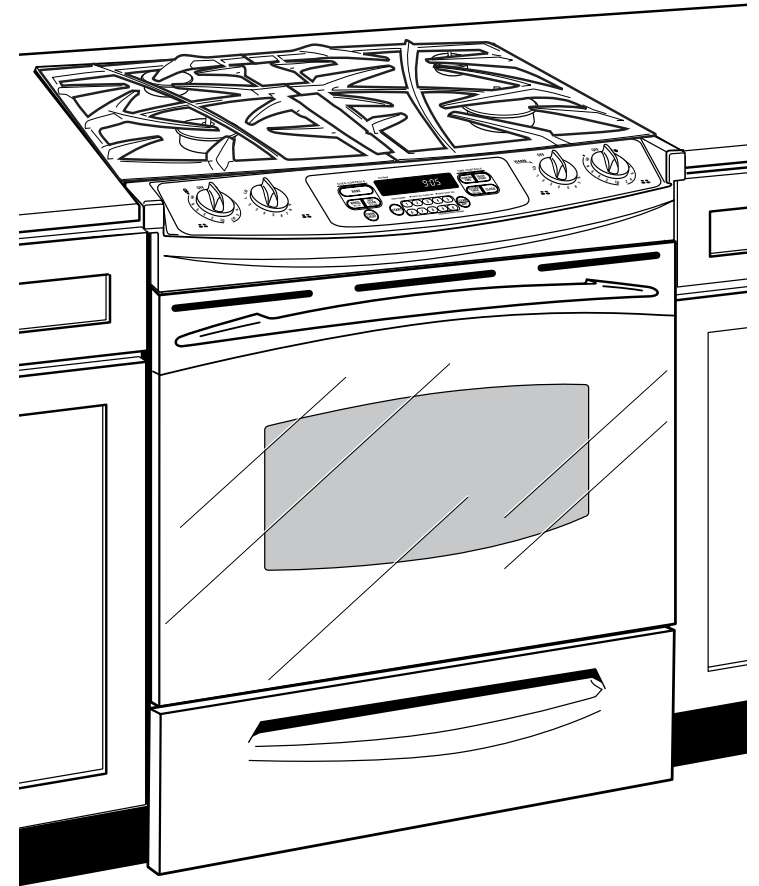


# PGS908DEP

## GE Profile™ 30" Slide-In Gas Range

### Features and Benefits

- Deep-recessed Cooktop - Deep recessed cooktop keeps spills, and everything else, contained in one area that's easy to wipe clean
- Self-clean Oven - Self-clean allows you to spare yourself from the trouble and effort it takes to scrub the oven interior. The oven does all the work!
- PowerBoil™ Burner - Delivers 15,000 BTUs of forceful heat for rapid boiling
- Precise Simmer Burner - Simmer burners allows for low, even heat distribution that is ideal delicate foods and sauces
- Extra-large Oven Capacity - Enough room to cook an entire meal at once
- Continuous Grates - Connected cooktop grates provide a sturdy, uninterrupted surface that allows pots and pans to move easily
- Dishwasher-safe Grates - Grates are safe for the dishwasher so cleaning is as easy as ever
- Three Oven Racks - Three sturdy oven racks give you more opportunities to cook more food once
- TrueTemp™ Oven System - This feature helps ensure the temperature you set is the temperature you get to give you the baking and broiling performance you desire
- Model PGS908DEPBB - Black
- Model PGS908DEPWW - White



imagination at work