

# JGB250GET

## GE® 30" Free-Standing Gas Range

### Dimensions and Installation Information (in inches)

#### Optional Gas Range Accessory Drip Pans for Sealed and Standard Burner Models

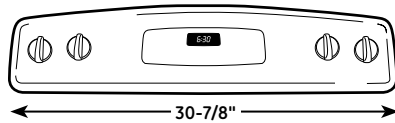
(Available at additional cost)

To order these accessory drip pans, call toll-free 800-626-2002

#### Gas Self-Clean Range Anti-Tip Bracket (Part No. 205C1714P001)

**Electrical Rating:** 120V, 60Hz, 5A

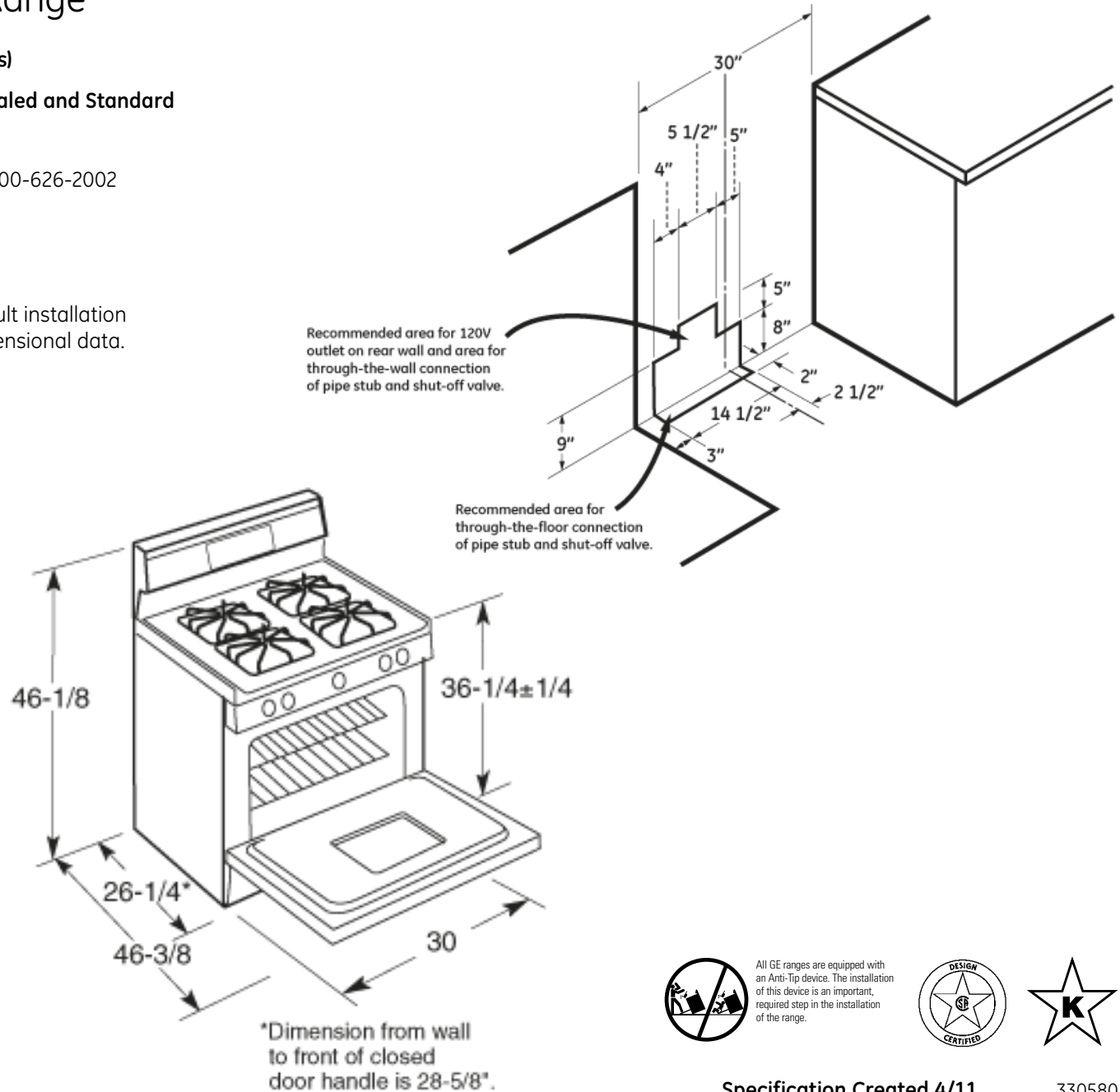
**Installation Information:** Before installing, consult installation instructions packed with product for current dimensional data.



All 30" GE gas and electric range backguards are 30-7/8" wide.\*

\*Except these models: JGBS07, JGBS04, all GE Profile free-standing electric and gas ranges  
Fits most countertop backsplash applications.  
Consult Use & Care Manual for detailed installation instructions.

For answers to your Monogram®, GE Profile™ or GE® appliance questions, visit our website at [geappliances.com](http://geappliances.com) or call GE Answer Center® service, 800.626.2000.



All GE ranges are equipped with an Anti-Tip device. The installation of this device is an important, required step in the installation of the range.

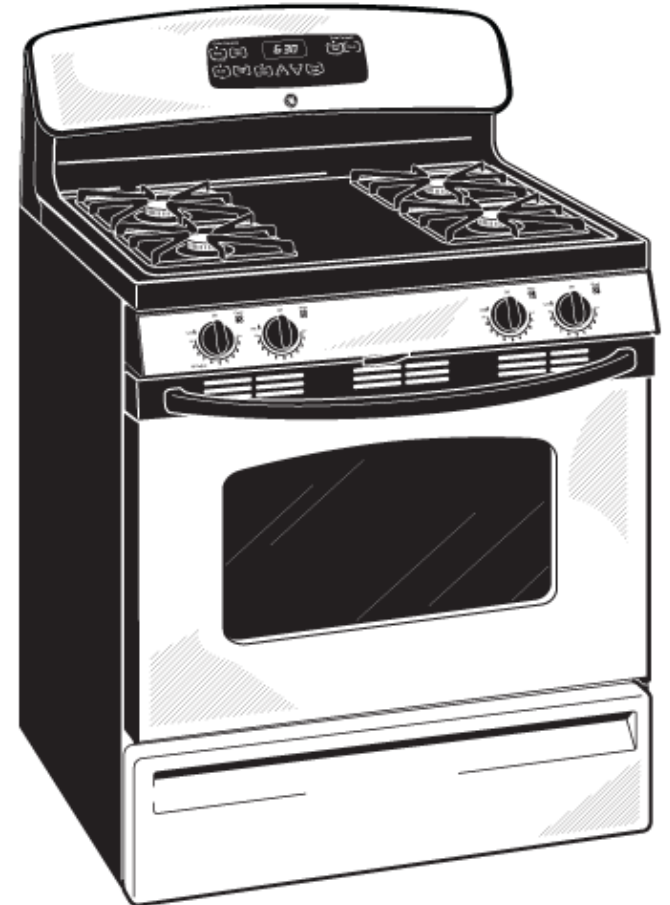


# JGB250GET

## GE® 30" Free-Standing Gas Range

### Features and Benefits

- Self-clean oven - Conveniently cleans the oven cavity without the need for scrubbing
- 4.8 cu. ft. capacity - More room for cooking more dishes at once
- High output burner - This 12,500 BTU burner element provides the high heat ideal for frying or sautéing and fast heat-up
- Precise simmer burner - Delivers a low setting of 140 degrees, ideal for delicate foods and sauces
- Big hearth window - Elegantly shaped window makes it easy to monitor the progress of food
- Model JGB250GETBS - CleanSteel™ Appearance



imagination at work