

JDP42ST

GE® 30" Drop-In Electric Range with Self-Cleaning Oven

Dimensions and Installation Information

KW Rating	
240V	11.6
208V	8.7

Note: Cabinets installed adjacent to drop-in ranges must have an adhesion spec of at least 194°.

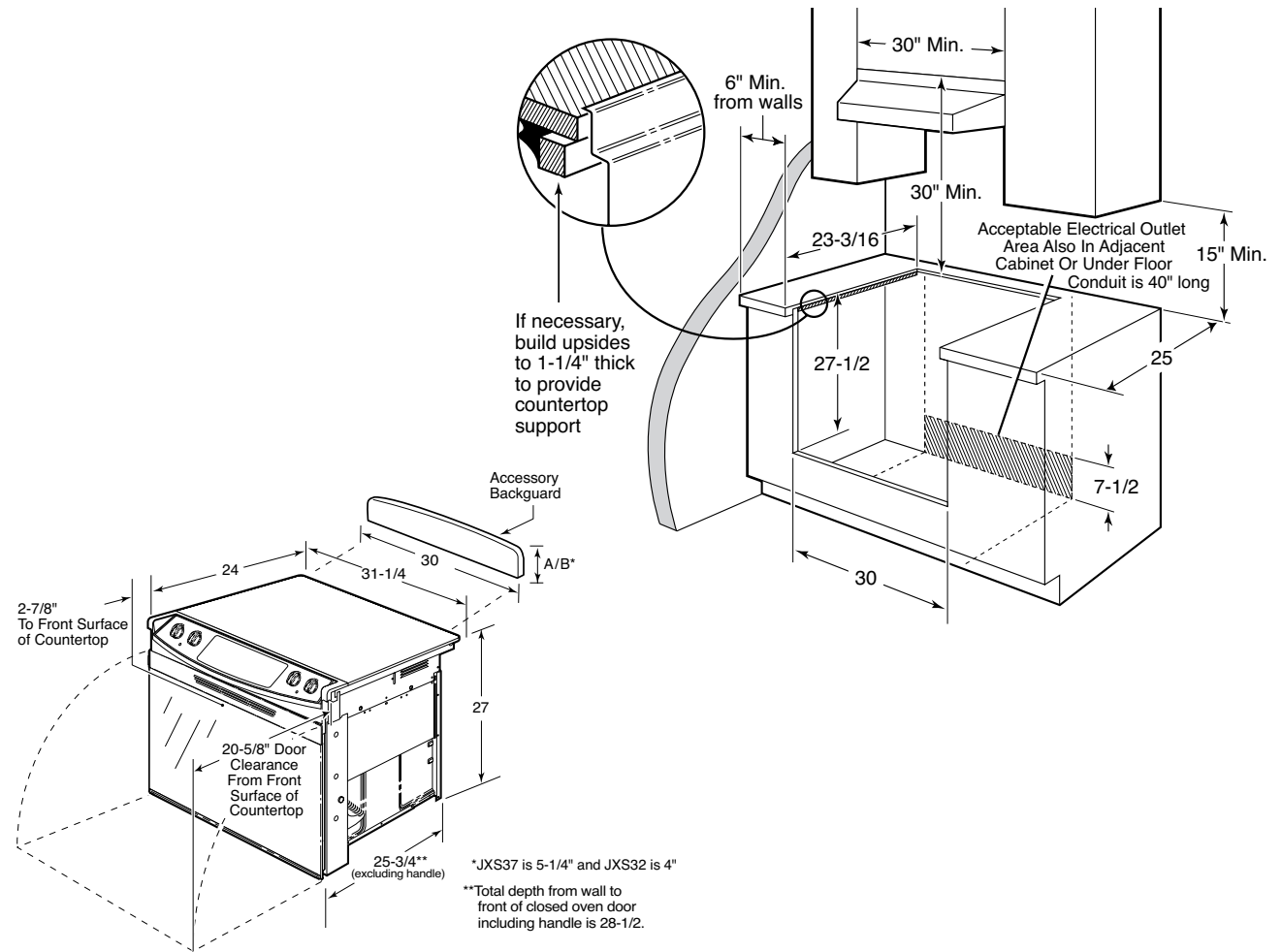
Important

30" Drop-In Ranges are designed to hang from the countertop. It does not rest on the floor. For installation alternatives, refer to installation instructions packed with product.

Note: 30" Drop-In Electric Ranges conform to U.L. requirements for 3" minimum spacing between range and side walls above countertop.

Installation Information: Before installing, consult installation instructions packed with product for current dimensional data.

For answers to your Monogram®, GE Profile™ or GE® appliance questions, visit our website at geappliances.com or call GE Answer Center® service, 800.626.2000.



Dimension and installation information are shown in inches.



imagination at work



All GE ranges are equipped with an Anti-Tip device. The installation of this device is an important, required step in the installation of the range.



Listed by Underwriters Laboratories

Specification Created 7/11

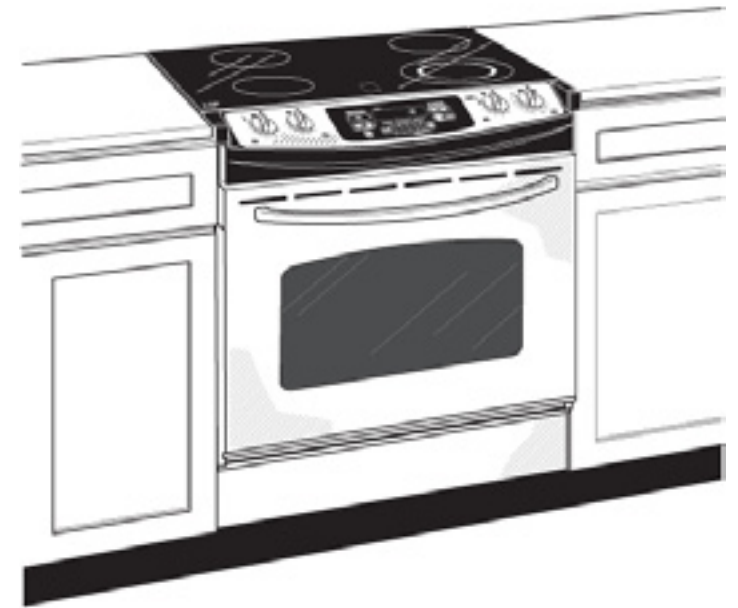
320830

JDP42ST

GE® 30" Drop-In Electric Range with Self-Cleaning Oven

Features and Benefits

- Self-clean oven - Self-clean allows you to spare yourself from the trouble and effort it takes to scrub the oven interior
- Ribbon heating elements - Powerful heat beneath the smooth surface provides high-speed warm-up and even heating
- Electronic oven controls - Electronic pads on the control panel are easy to operate with just a touch
- Extra-large oven capacity - Ideal for special occasions and big meals, the extra large oven interior allows more to cook at once
- Dual element - Choose a ribbon heating element to accommodate the size of your pan
- Ceramic glass cooktop - A smooth cooktop surface makes cleaning quick and easy
- Two oven racks - Includes two oven racks that are sturdy and reliable
- Certified Sabbath mode - Convenient mode keeps the oven warm in accordance within the restrictions of the kosher kitchen
- Interior oven light - Bright interior light helps you check on the progress of your cooking
- Multiple oven rack positions - Several positions allow you to adjust the oven racks to accommodate any size cookware
- Model JDP42STSS - Stainless steel



imagination at work

Specification Created 7/11

320830