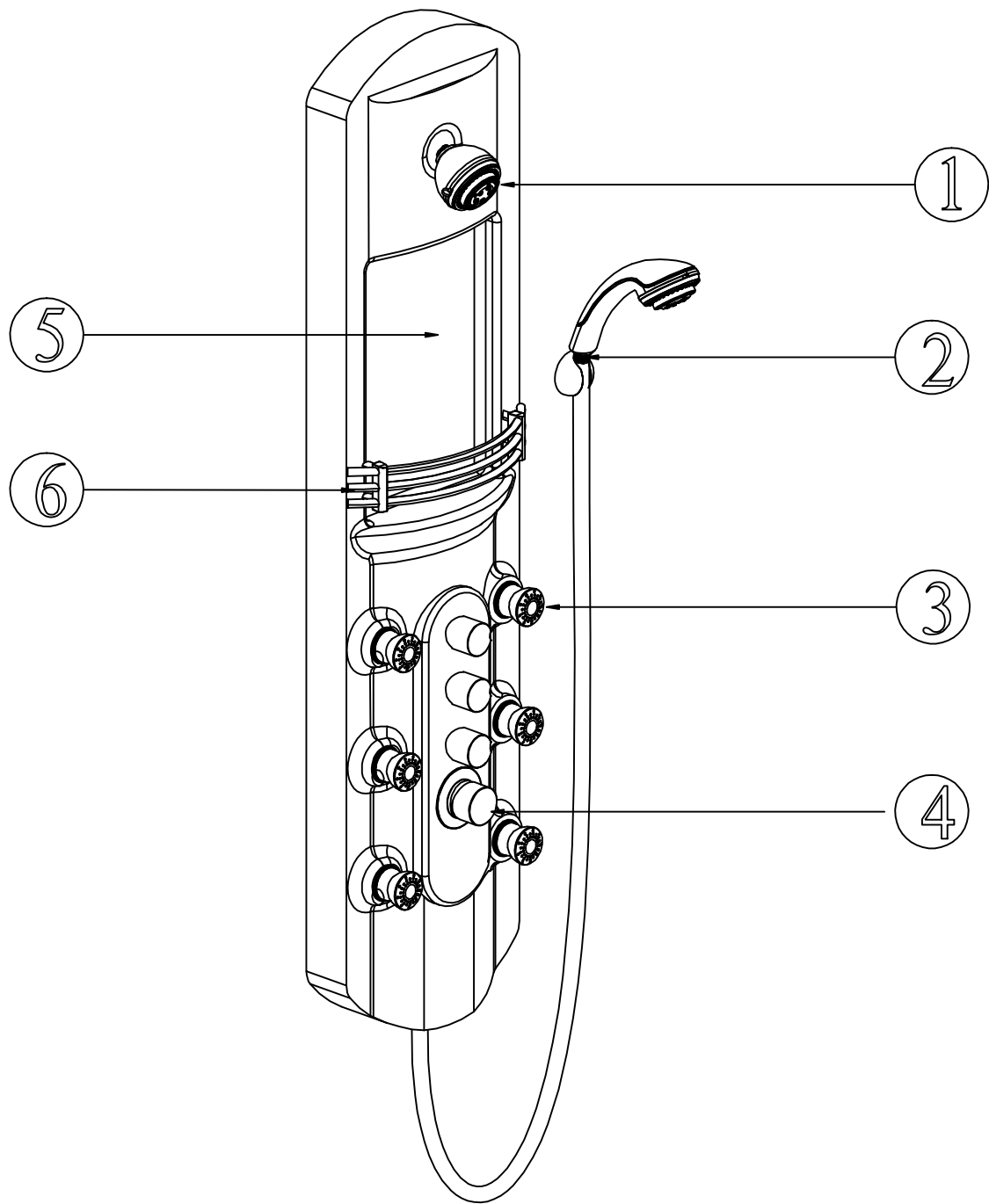


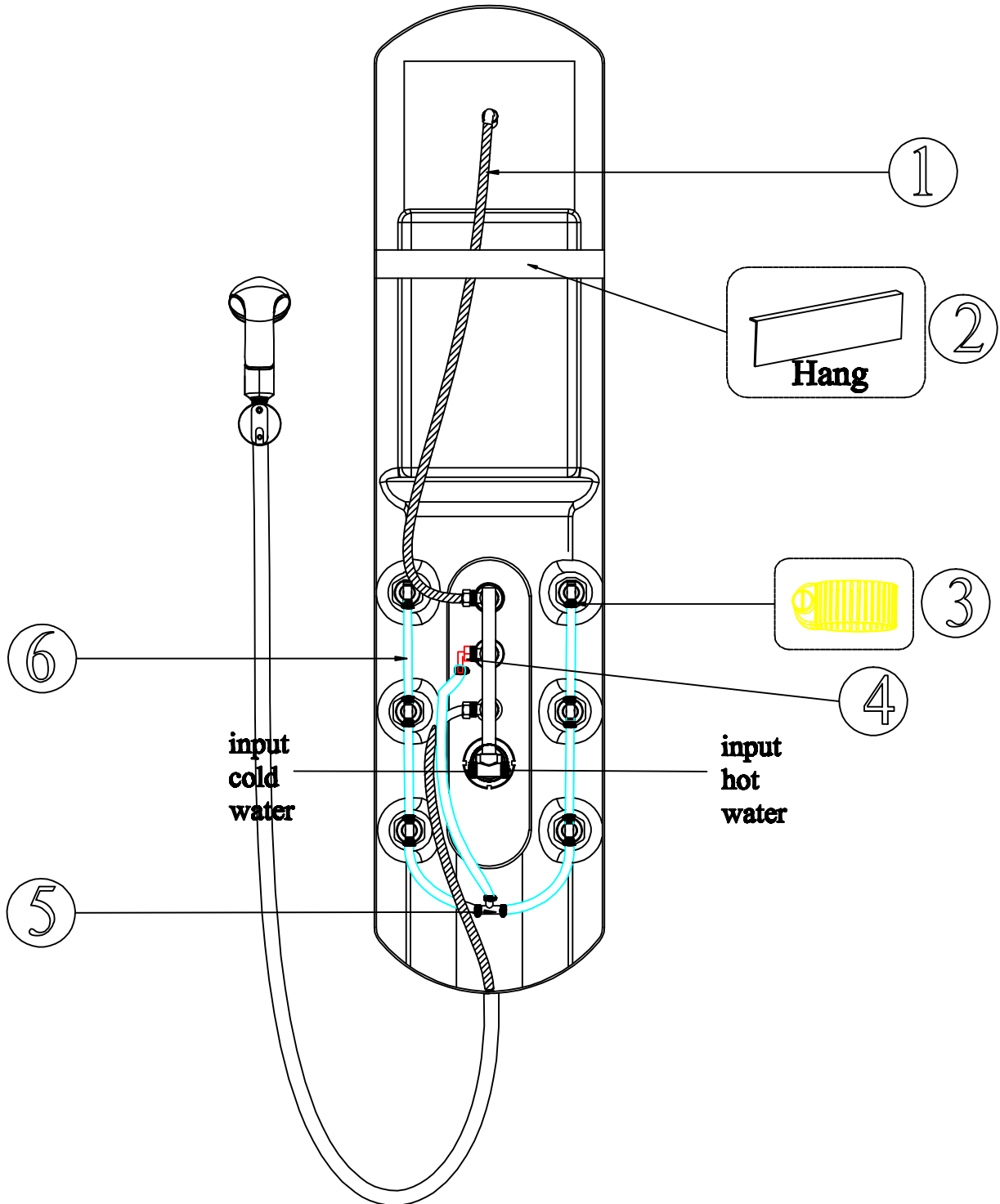
Dimensions: 1330X310mm

Product Name	A104	DWG NO:	
Scale		Material:	
Design/Date	JOE/09. 03. 10	Area (mm ²)	theory weight (kg)
Audit/Date		Revision	Page:
Ratify/Date		ASTON BATHROOM APPLIANCES CO.,LTD	



ProductName		A104
Amount	Name	Material
1	Monsoon Head	
2	Handle shower	
3	Jets	

4	Thermostatic faucet	
5	Shower panel	Acrylic
6	Commodity basket	
7		
8		
9		
10		
11		
12		
13		



ProductName		A104	
Amount	Name	Material	
1	Hard tube	stainless steel	4
2	Hang		5
3	Ring	stainless steel	6
			Elbow
			3-outlet connection
			soft pipe
			Brass
			PVC
			PVC