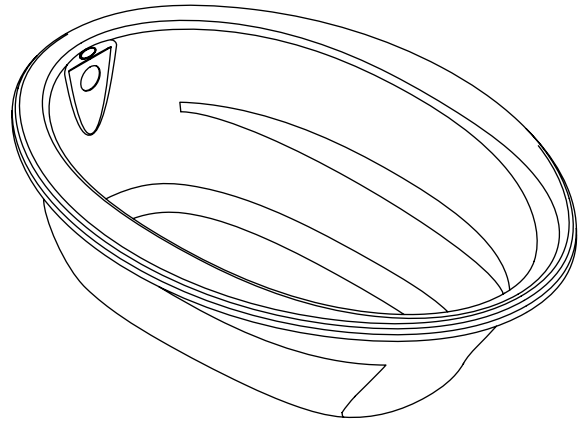


Features

- Acrylic
- Oval shape
- Molded lumbar supports and armrests
- Optional K-1491 removable bath pillow
- Textured bottom surface
- 72" (182.9 cm) x 42" (106.7 cm) x 21" (53.3 cm)



Codes/Standards Applicable

Specified model meets or exceeds the following:

- ANSI Z124.1.2
- IAPMO/UPC

Colors/Finishes

- 0: White
- Other: Refer to Price Book for additional colors/finishes

Accessories

- 0: White
- CP: Polished Chrome
- PB: Vibrant® Polished Brass
- NA: None applicable
- Other: Refer to Price Book for additional colors/finishes

Specified Model

Model	Description	Colors/Finishes	
K-1165	Bath	<input type="checkbox"/> 0	<input type="checkbox"/> Other _____
Recommended Accessories			
K-11677	Swiftflo™ adjustable trip lever drain	<input type="checkbox"/> CP	<input type="checkbox"/> PB
Optional Accessories			
K-577	Undermount kit		<input type="checkbox"/> NA
K-1491	Pillow	<input type="checkbox"/> 0	<input type="checkbox"/> Other _____
K-1601	Footstop	<input type="checkbox"/> 0	<input type="checkbox"/> Other _____

Product Specification

The oval shaped bath shall be made of acrylic. Bath shall be 72" (182.9 cm) in length, 42" (106.7 cm) in width, and 21" (53.3 cm) in height. Bath shall have molded lumbar supports and armrests with textured bottom surface. Bath shall be Kohler Model K-1165-_____.

SUNWARD®

Technical Information

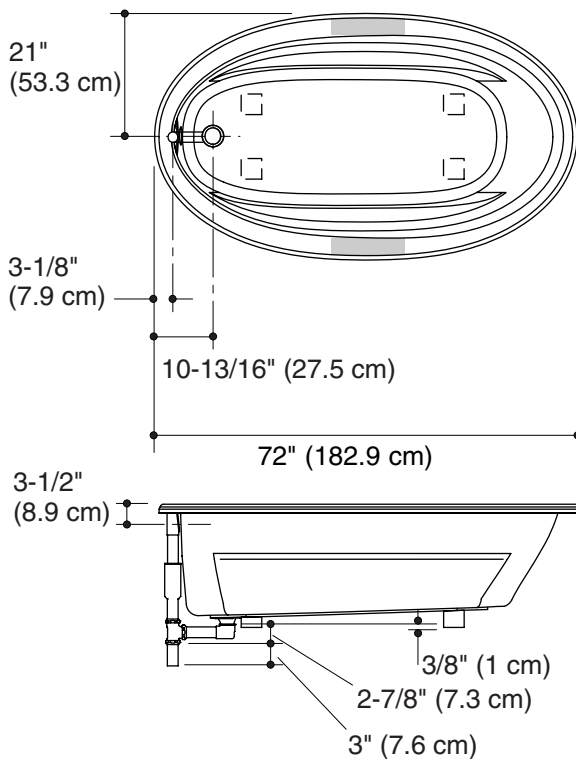
Fixture*:	
Bathing well:	
Basin area, bottom	55-1/4" (140.3 cm) x 23-1/2" (59.7 cm)
Basin area, top	64-1/2" (163.8 cm) x 32" (81.3 cm)
Weight	93 lbs (42.2 kg)
To overflow:	
Water depth	15" (38.1 cm)
Capacity	75 gal (284.1 L)
* Approximate measurements for comparison only.	
Included components:	
Cutout template	1042557-7

Installation Notes

Install this product according to the installation guide.

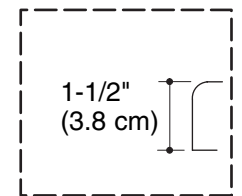
Floor support under bath must provide for a minimum of 36 lbs/square foot (173 kg/square meter) loading.

No change in measurements if connected with drain illustrated.

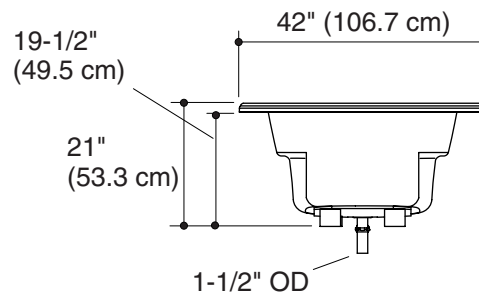


No change in measurements if connected with drain illustrated. (K-11677 or K-11677M)

Recommended faucet area



Drop-In Rim Detail



Product Diagram