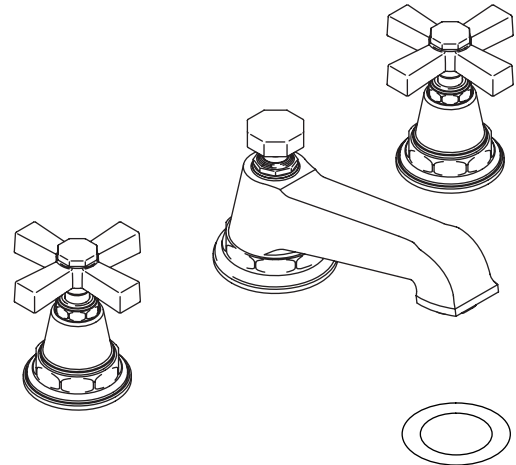


**WIDESPREAD LAVATORY FAUCET  
K-13132**

**Features**

- Metal construction
- Brass valve bodies
- Pop-up drain with lift rod and tailpiece
- Flexible connections for easy installation
- Cross or lever handles
- 5" (12.7 cm) spout reach
- For 8" (20.3 cm) or 16" (40.6 cm) centers
- Quarter-turn washerless ceramic disc valves
- Low stationary spout
- 1.5 gallons (5.7 liters) per minute maximum flow rate



**Codes/Standards Applicable**

Specified model meets or exceeds the following at date of manufacture:

- ADA
- ASME A112.18.1/CSA B125.1
- ICC/ANSI A117.1
- NSF 61
- Energy Policy Act of 1992
- EPA WaterSense®
- All applicable US Federal and State material regulations





**Colors/Finishes**

- CP: Polished Chrome
- Other: Refer to Price Book for additional colors/finishes

**Accessories**

- NA: None applicable

**Specified Model**

Model	Description	Cross		Lever	
		 ADA	 ADA	 ADA	 ADA
K-13132-3A	Widespread lavatory faucet – Pure Design	<input type="checkbox"/> CP	<input type="checkbox"/> Other		
K-13132-3B	Widespread lavatory faucet			<input type="checkbox"/> CP	<input type="checkbox"/> Other
K-13132-4A	Widespread lavatory faucet – Pure Design			<input type="checkbox"/> CP	<input type="checkbox"/> Other
K-13132-4B	Widespread lavatory faucet			<input type="checkbox"/> CP <input type="checkbox"/> Other	

**Product Specification**

The two-handle widespread lavatory faucet shall be made of metal construction with brass valve bodies. Product shall have a maximum flow rate of 1.5 gallons (5.7 liters) per minute. Product shall feature quarter-turn washerless ceramic disc valves, flexible connections for easy installation, a 5" (12.7 cm) spout reach, and a low stationary spout. Product shall be for 8" (20.3 cm) or 16" (40.6 cm) centers. Product shall feature a pop-up drain with lift rod and tailpiece. Product shall be available with cross or lever handles. Faucet shall be Kohler Model K-13132-\_\_\_\_-\_\_\_\_.

# PINSTRIBE®

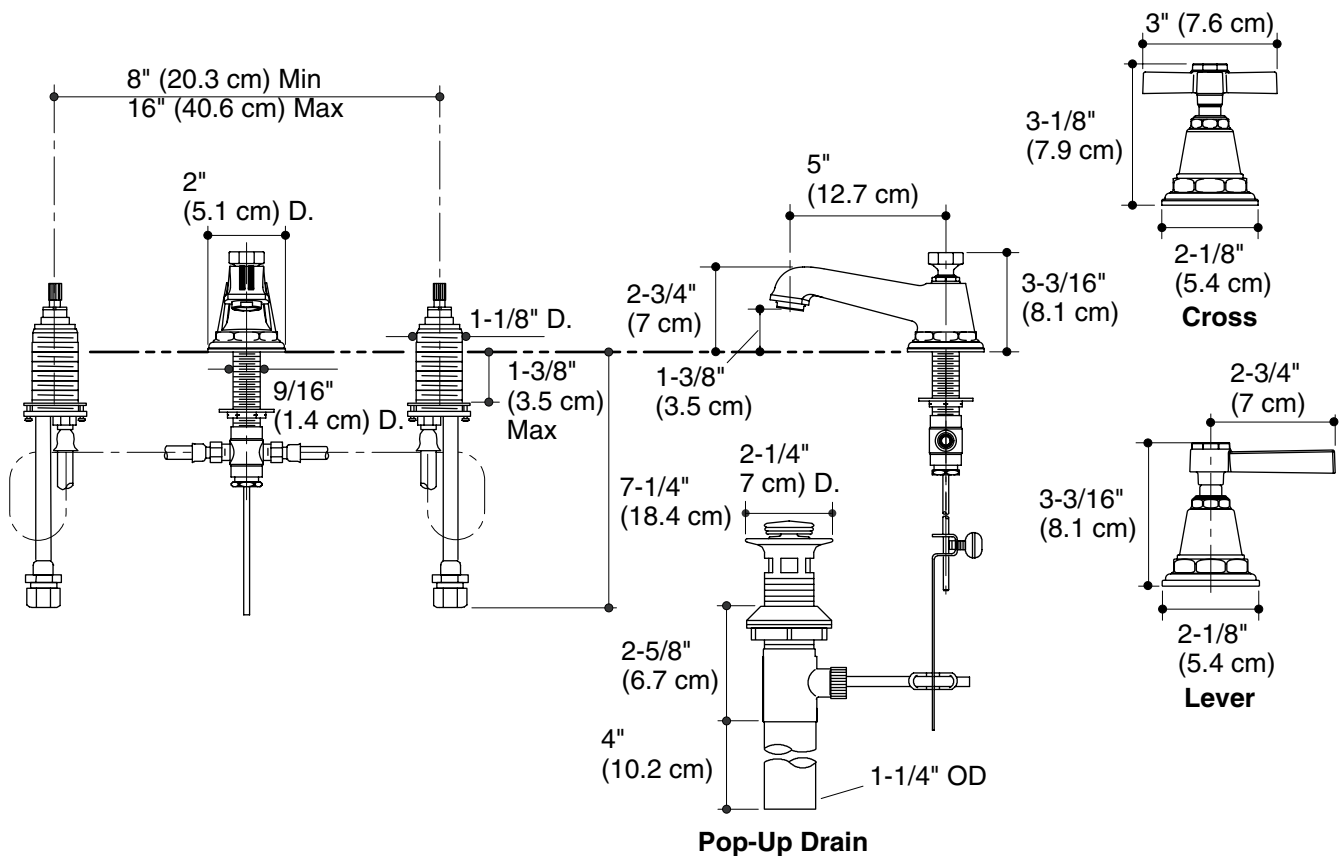
## Optional Accessories

Additional flow options are available (refer to the Kohler Price Book)

NA

## Installation Notes

Install this product according to the installation guide.



## Product Diagram