

STERLING®

A KOHLER COMPANY

ALL PRO®

Features

- Compression molded from our exclusive solid Vikrell® material
- Convenient shelving and acrylic towel bar on back wall
- Modular 4-piece design
- Tongue-and-groove 4-piece modular design allows for easy "snap together" installation
- Durable swirl-gloss finish
- 10-year consumer/3-year commercial limited warranty
- Caulk required for installation
- Allows for future attachment of grab bars
- 60" (1524 mm) x 31-1/2" (800 mm) x 74" (1880 mm) complete unit rough-in dimensions include flange
- 60" (1524 mm) x 30" (762 mm) x 72-3/4" (1848 mm) complete unit finished dimensions

Codes/Standards Applicable

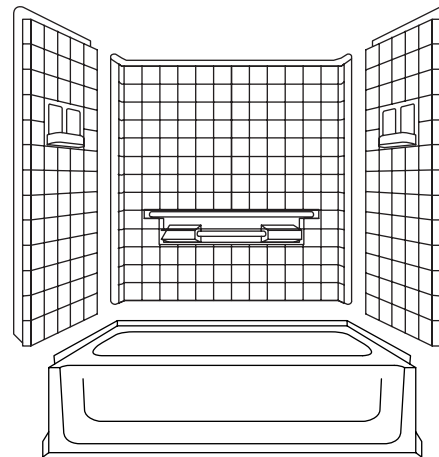
Specified model meets or exceeds the following:

- ANSI Z124.1.2
- CSA B45
- HUD, UM Bulletin 73A
- NAHB Research Foundation, Inc.

60" (1524 mm) BATH/SHOWER SYSTEM WITH BACKER BOARDS

61040116

ALSO 61040126, 61040516, 61040526



Colors/Finishes

- 0: White
- Other: Refer to Price Book for additional colors/finishes

Specified Model

Model	Complete Unit Description	Colors/Finishes	
61040116	60" (1524 mm) bath and wall surround with backer boards, left drain	<input type="checkbox"/> 0	<input type="checkbox"/> Other _____
61040126	60" (1524 mm) bath and wall surround with backer boards, right drain	<input type="checkbox"/> 0	<input type="checkbox"/> Other _____

Model	Wall Component Description	Colors/Finishes	
61044106	Complete wall set with backer boards	<input type="checkbox"/> 0	<input type="checkbox"/> Other _____

Technical Information

Fixture:*		
Bathing well	Basin area, bottom	40" (1016 mm) x 21" (533 mm)
	Basin area, top	52" (1321 mm) x 29" (737 mm)
To overflow	Water depth	9-3/8" (238 mm)
	Capacity	44 gal (166.6 L)
* Approximate measurements for comparison only.		

Door width	57-1/2" (1461 mm)
Door maximum height	57-3/4" (1467 mm)

Installation Notes

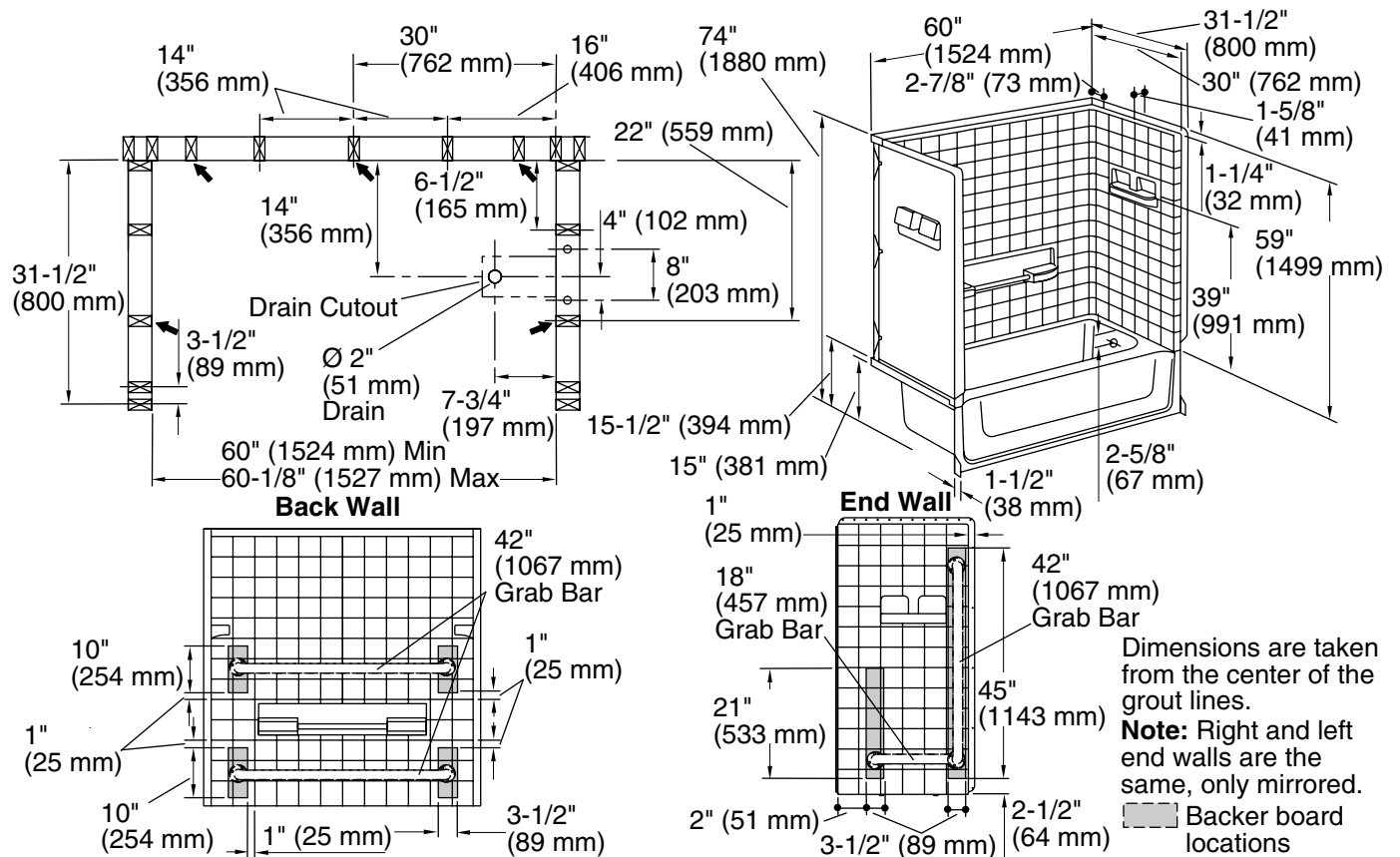
Install this product according to the installation guide.

Size the drain cutout to fit the drain assembly that will be used.

End stud positioning is critical if nailing-in flanges are to be used.

Double studding is recommended for pivot shower door installations.

Studs should be positioned roughly as shown.



Product Diagram