

Features

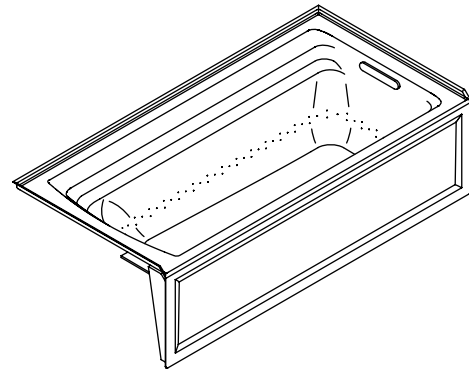
- Acrylic
- Integral apron with removable access panel
- Blower with electronic control
- Left or right drain
- Blower motor is supplied with a grounding-type plug-in cord
- 120 BubbleMassage™ airjets
- Integral tile flange
- Slotted overflow for maximum bathing depth
- Low threshold height
- Integral lumbar support
- Armrests
- 72" (182.9 cm) x 36" (91.4 cm) x 19" (48.3 cm)

6' (1.8 m) BUBBLEMASSAGE™ BATH WITH AIRJETS

K-1124-GLA

ALSO K-1124-GRA

ADA



Codes/Standards Applicable

Specified model meets or exceeds the following:

- ADA
- ANSI Z124.1.2
- IAPMO IGC 171
- UL 1795
- ICC/ANSI A117.1
- ASTM E162
- ASTM E662

Colors/Finishes

- 0: White
- Other: Refer to Price Book for additional colors/finishes

Specified Model

Model	Description	Colors/Finishes	
K-1124-GLA	Integral apron, left drain	<input type="checkbox"/> 0	<input type="checkbox"/> Other _____
K-1124-GRA	Integral apron, right drain	<input type="checkbox"/> 0	<input type="checkbox"/> Other _____
Required Accessories			
K-7271	Clearflo slotted overflow brass bath drain OR	<input type="checkbox"/> CP	<input type="checkbox"/> Other _____
K-7272	Clearflo slotted overflow bath drain – PVC pipe	<input type="checkbox"/> CP	<input type="checkbox"/> Other _____
Recommended Accessories			
K-1446	Remote blower installation kit		NA
Optional Accessories			
K-9529	Removable bath seat		<input type="checkbox"/> 0

Product Specification

The acrylic bath with airjets shall be 72" (182.9 cm) in length, 36" (91.4 cm) in width, and 19" (48.3 cm) in height. Bath shall feature an integral apron with removable access panel and integral tile flange. Bath shall have a blower with an electronic user control. The blower motor shall have a grounding-type plug-in cord. Bath shall have 120 BubbleMassage™ airjets. Bath shall be available with left or right drain. Bath shall have slotted overflow for maximum bathing depth, low threshold height, integral lumbar support, and armrests. The bath shall be Kohler Model K-1124-_____-_____.

ARCHER™

Technical Information

Fixture*:	
Bathing well	
Basin area, bottom	51-3/8" (130.5 cm) x 21" (53.3 cm)
Basin area, top	64-1/2" (163.8 cm) x 30-1/2" (77.5 cm)
Weight	115 lbs (52.1 kg)
To overflow	
Water depth	15" (38.1 cm)
Capacity	72 gal (273 L)
* Approximate measurements for comparison only.	

Blower motor:	Heater	V	Hz	A
	300 W	120	60	5

Required Electrical Service

Dedicated circuit required, protected with Class A Ground-Fault Circuit-Interrupter (GFCI):	
Blower motor:	120 V, 15 A, 60 Hz
Blower motor is supplied with a 24" (61 cm) grounding-type plug-in cord.	

Installation Notes

Install this product according to the installation guide.

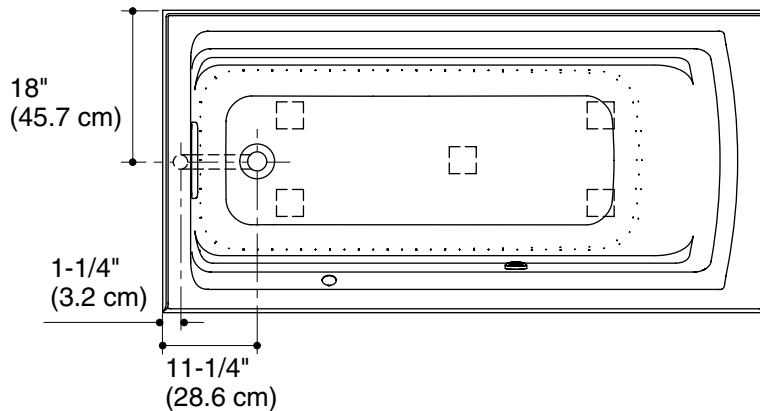
NOTICE: Relocation of the blower motor and check valve is optional. Only mount the blower motor and check valve together. Do not move one without the other.

NOTICE: Two access panels are required for blower motor and check valve relocation. Provide one access panel at the blow motor/control location and another at the control box.

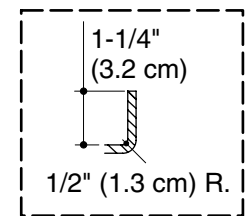
Floor support under this product must provide for a minimum of 42 lbs/square foot (201 kg/square meter) loading.

The hot water supply should be 70% of the capacity of the bath or greater. Installations will vary.

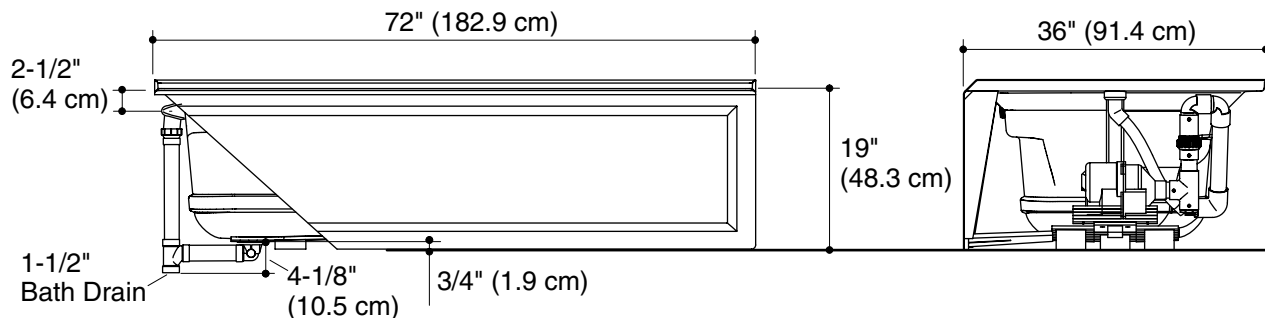
Will comply with **ADA** when installed per Section 607 Bathtubs of the Act.



No change in measurements if connected with drain illustrated. (K-7272)



Integral Flange Detail



Product Diagram

ARCHER™ 6' (1.8 m) BUBBLEMASSAGE™ BATH WITH AIRJETS

Page 2 of 2
1071369-4-E

THE BOLD LOOK
OF **KOHLER**®