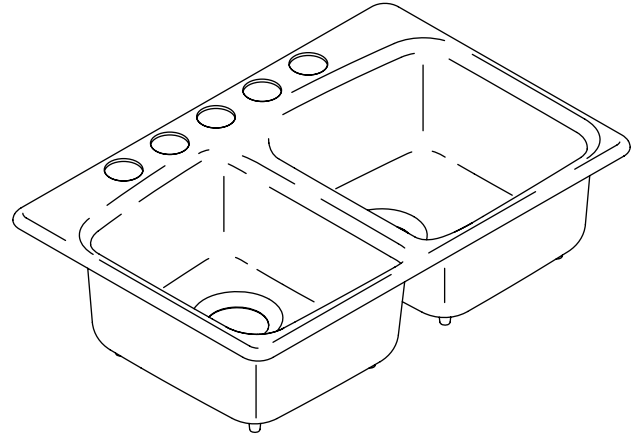


BROOKFIELD™

Features

- KOHLER cast iron
- Acid-resistant enamel finish
- Undercounter
- Double (equal) compartment
- 5-hole oversized
- Includes 23" (58.4 cm) undermount sink kit
- 33" (83.8 cm) x 22" (55.9 cm)

UNDERCOUNTER KITCHEN SINK K-5942-5U



Codes/Standards Applicable

Specified model meets or exceeds the following:

- ASME A112.19.1M
- IAPMO/UPC
- CSA International
- CSA B45.0
- CSA B45.2

Colors/Finishes

- 0: White
- Other: Refer to Price Book for additional colors/finishes

Accessories:

- CP: Polished Chrome
- 0: White
- Other: Refer to Price Book for additional colors/finishes
- NA: None applicable

Specified Model

Model	Description	Colors/Finishes	
K-5942-5U	Undercounter sink – 5-hole oversized	<input type="checkbox"/> 0	<input type="checkbox"/> Other_____
Recommended Accessories			
K-9000	Adjustable P-trap	<input type="checkbox"/> CP	
Optional Accessories			
K-5807	36" (91.4 cm) undermount sink kit		<input type="checkbox"/> NA
K-6010	Bottom basin rack	<input type="checkbox"/> 0	<input type="checkbox"/> Other_____
K-6507	Hardwood cutting board		<input type="checkbox"/> NA
K-6510	Wire rinse basket	<input type="checkbox"/> 0	<input type="checkbox"/> Other_____
K-8801	Duostrainer® sink strainer		<input type="checkbox"/> CP <input type="checkbox"/> Other_____

Product Specification:

The undercounter sink shall be 33" (83.8 cm) in length and 22" (55.9 cm) in width. Sink shall be made of cast iron with acid resistant enamel finish. Sink shall be undercounter double (equal) compartment. Sink shall be 5-hole oversized. Sink shall include a 23" (58.4 cm) undermount sink kit. Sink shall be Kohler Model K-5942-5U-_____.

BROOKFIELD™

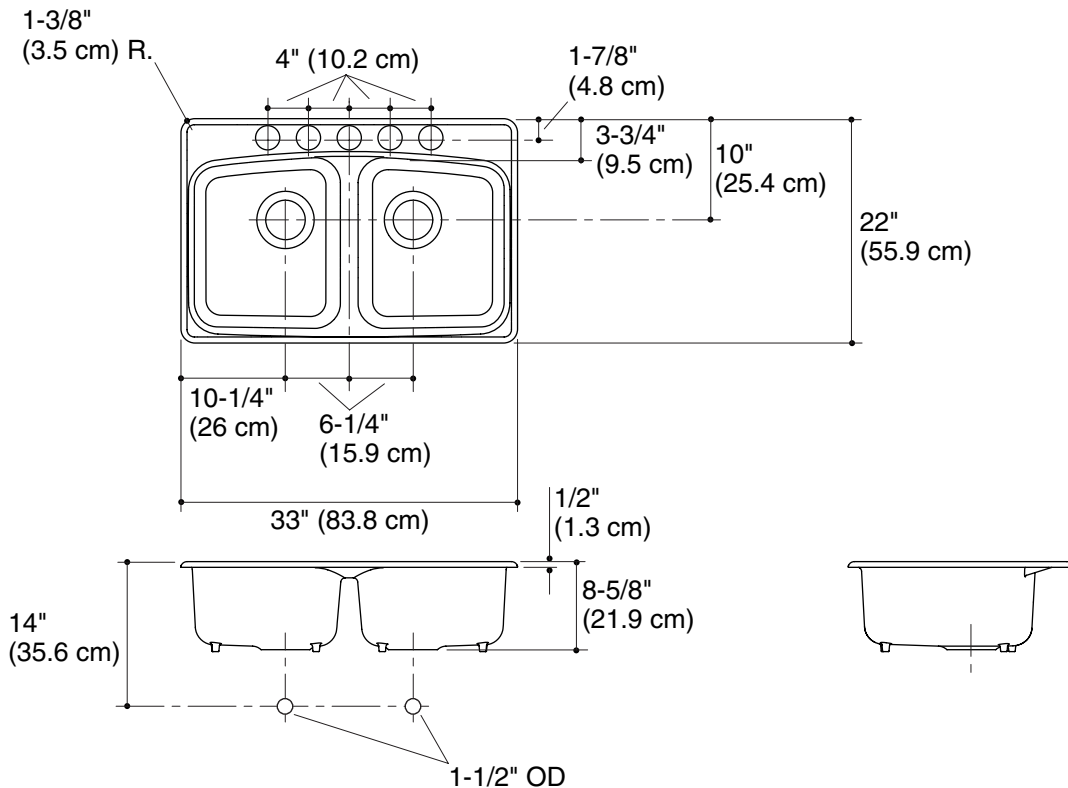
Technical Information

Fixture*:	
Basin areas	14" (35.6 cm) x 17" (43.2 cm)
Water depth	6-3/4" (17.1 cm)
Drain holes	3-7/8" (9.8 cm) D.
Faucet holes	2-3/8" (6 cm) D.
* Approximate measurements for comparison only.	

Included components:	
Cut-out template	1081455-7
23" (58.4 cm) undermount sink kit	1054375

Installation Notes

Install this product according to the installation guide.



Product Diagram