

### COUNTERTOP LAVATORY K-2885

ADA

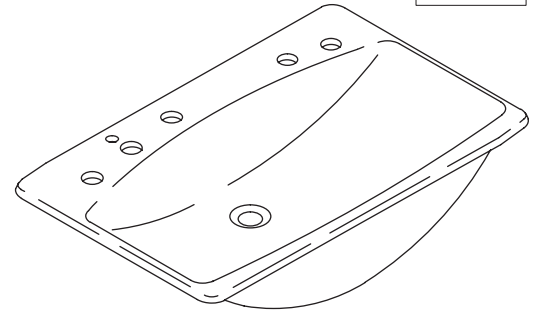
#### Features

- KOHLER cast iron
- Self-rimming
- With overflow
- 28" (71.1 cm) x 19" (48.3 cm)

#### Codes/Standards Applicable

Specified model meets or exceeds the following:

- ADA
- ASME A112.19.1
- ICC/ANSI A117.1
- IAPMO/UPC
- CSA B45



#### Colors/Finishes

- 0: White
- Other: Refer to Price Book for additional colors/finishes

#### Accessories

- CP: Polished Chrome
- Other: Refer to Price Book for additional colors/finishes

#### Specified Model

Model	Description	Colors/Finishes	
K-2885-8S	Countertop lavatory with 8" (20.3 cm) centers at left	<input type="checkbox"/> 0	<input type="checkbox"/> Other_____
K-2885-1	Countertop lavatory with single-hole lavatory	<input type="checkbox"/> 0	<input type="checkbox"/> Other_____
K-2885-8	Countertop lavatory with 8" (20.3 cm) centers	<input type="checkbox"/> 0	<input type="checkbox"/> Other_____
<b>Recommended Accessories</b>			
K-8998	P-Trap	<input type="checkbox"/> CP	
<b>Required Faucet (K-2885-8S)</b>			
K-6962-2	Alternat™ faucet	<input type="checkbox"/> CP	<input type="checkbox"/> Other_____

#### Product Specification

The self-rimming countertop lavatory shall be made of cast iron. Lavatory shall have overflow. Lavatory shall be 28" (71.1 cm) in length, and 19" (48.3 cm) in width. Lavatory shall be Kohler Model K-2885-\_\_\_\_\_-\_\_\_\_\_.

# MAN'S LAV™

## Technical Information

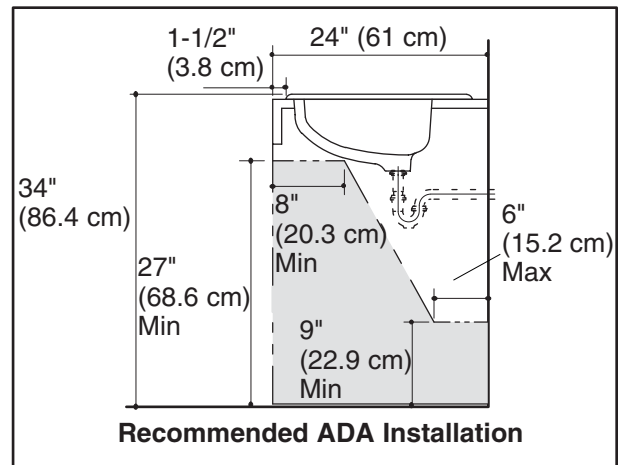
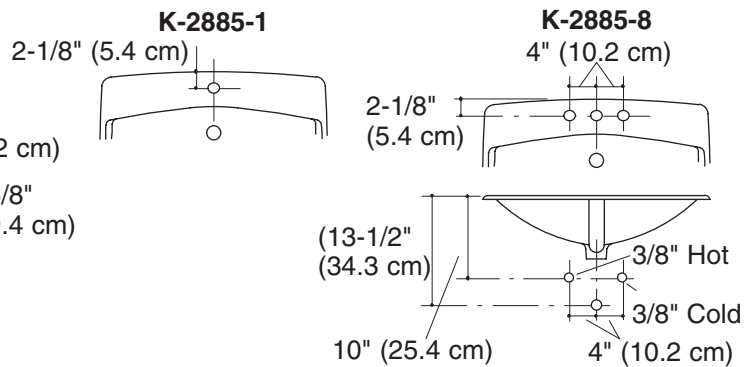
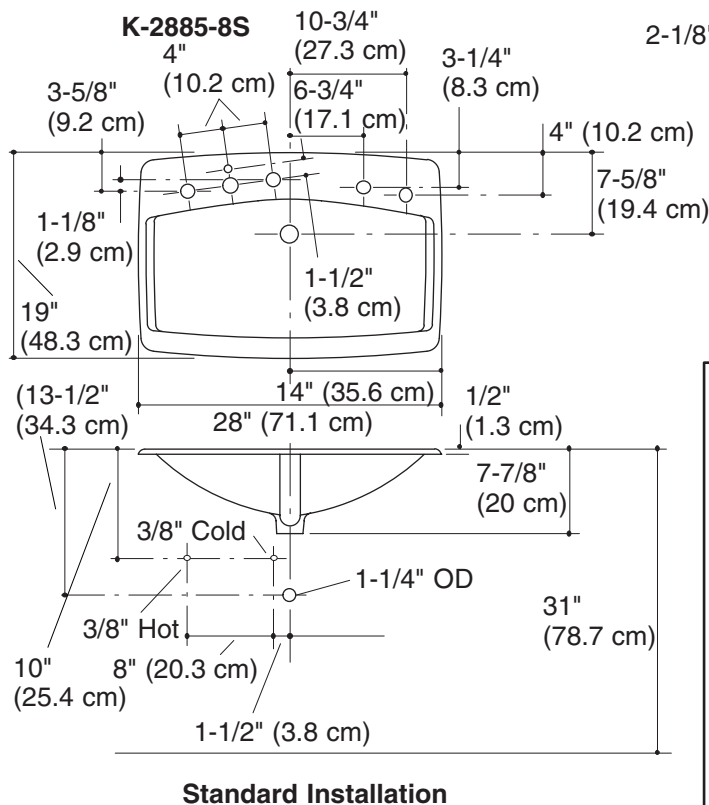
Fixture*:	
Basin area	24" (61 cm) x 13" (33 cm)
Water depth	4-1/4" (10.8 cm)
Drain hole	1-11/16" (4.3 cm) D.
* Approximate measurements for comparison only.	

Holes	K-2885-8S	K-2885-1	K-2885-8
Spout	1-3/8" (3.5 cm) D.	1-3/8" (3.5 cm) D.	1-1/8" (2.9 cm) D.
Faucet	1-3/8" (3.5 cm) D.	NA	1-3/8" (3.5 cm) D.
Lift rod	3/4" (1.9 cm) D.	NA	NA
Spray	1-1/4" (3.2 cm) D.	NA	NA
Liquid dispenser	1-1/4" (3.2 cm) D.	NA	NA

Included components:	
Overflow ferrule	44071
Cut-out template	101090

## Installation Notes

Install this product according to the installation guide.



## Product Diagram