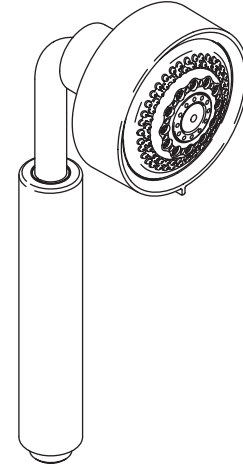


**MULTI-FUNCTION HANDSHOWER
K-973**

Features

- MasterClean™ sprayface resists hard water buildup and is easy to clean
- Ergonomic sprayhead pivots for targeted hydromassage or for rinsing the shower enclosure
- Complements Stillness® faucet line
- 2.5 gallon (9.5 L) per minute flow rate
- Full-coverage, therapeutic massage, soft-aerated, and water-saving eco spray options

ADA **CSA B651** **OBC**



Codes/Standards Applicable

Specified model meets or exceeds the following:

- ADA
- CSA B651
- OBC
- ASME A112.18.1/CSA B125.1

Colors/Finishes

- CP: Polished Chrome
- Other: Refer to Price Book for additional colors/finishes

Accessories

- CP: Polished Chrome

Specified Model

Model	Description	Colors/Finishes	
K-973	Multi-function handshower – 2.5 gallon (9.5 L) per minute flow rate	<input type="checkbox"/> CP	<input type="checkbox"/> Other ____
Required Accessories			
K-8593	72" (182.9 cm) metal shower hose OR		<input type="checkbox"/> CP
K-9514	60" (152.4 cm) metal shower hose		<input type="checkbox"/> CP

Product Specification

Multi-function handshower shall feature a Masterclean sprayface which resists hard water buildup and is easy to clean. Handshower shall feature an ergonomic sprayhead which pivots for targeted hydromassage or for rinsing the shower enclosure. Handshower shall be available with a 2.5 gallon (9.5 L) per minute flow rate. Handshower shall feature full-coverage, therapeutic massage, soft-aerated, and water-saving eco spray options. Handshower shall complement the Stillness faucet line. Multi-function handshower shall be Kohler Model K-973-_____.

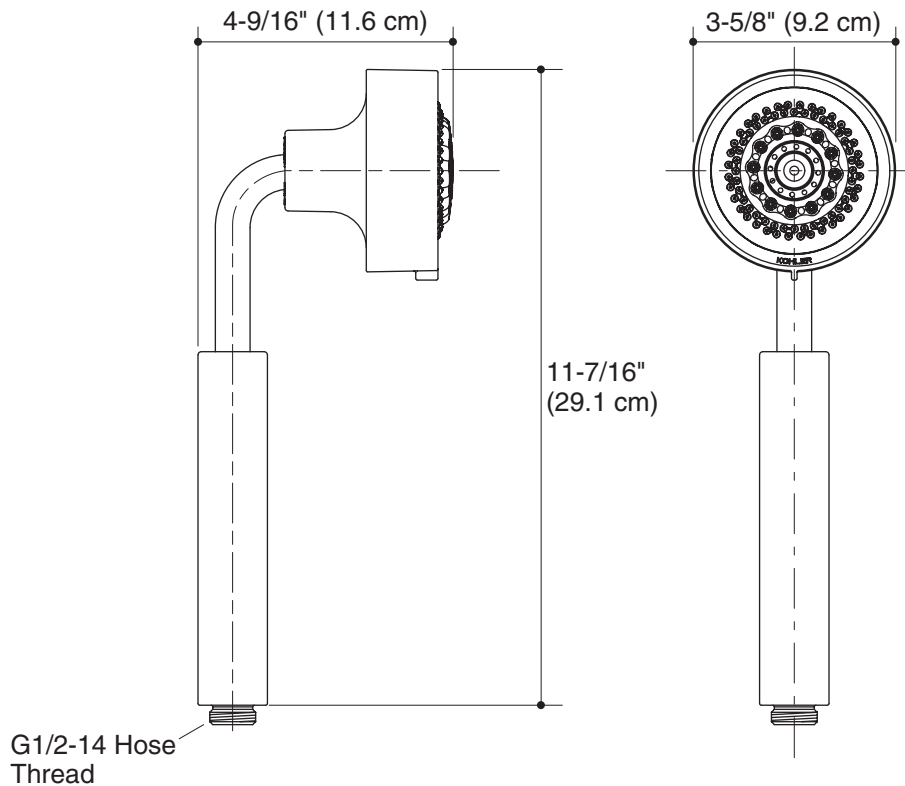
STILLNESS®

Installation Notes

Install this product according to the installation guide.

Plumbing codes require an atmospheric vacuum breaker (such as Kohler Model K-9660) be installed in-line with handshowers. Please consult with local plumbing officials.

ADA, CSA B651, OBC compliant when installed to the specific requirements of these regulations.



Product Diagram