



### Features:

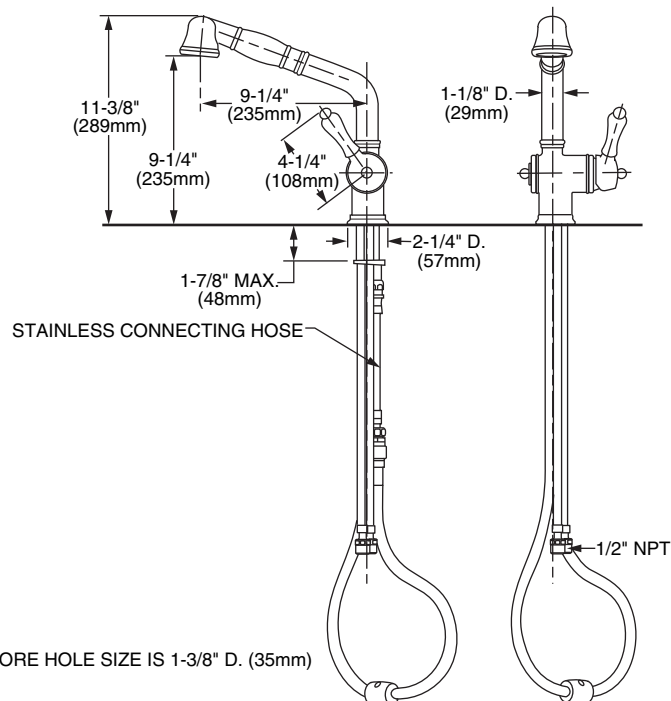
- Ceramic disc valve cartridge
- 9-1/4" Swing Spout
- Pullout Spray
- All Metal Hose
- 10" Cover plate available separately

Maximum Flow Rate: 2.2 GPM (8.3L/min)

|                                     | Handle Type | Product Number |
|-------------------------------------|-------------|----------------|
| Single Lever Pullout Kitchen Faucet | Lever       | 850/850        |
| 10" Cover Plate - 1-Hole            |             | H960748        |



| Available Finishes: | Finish Code |
|---------------------|-------------|
| Polished Chrome     | 100         |
| Old Bronze          | 105         |
| Antique Copper      | 106         |
| Brushed Nickel      | 144         |
| UltraSteel (PVD)    | 355         |
| Antique Nickel      | 444         |



**IMPORTANT:** These measurements are subject to change or cancellation. No responsibility is assumed for use of superseded or voided pages.

### CODES & STANDARDS

These products meet and exceed the following codes and standards:

**ASME A112.18.1**

**CSA B125**

**NSF 61/Section 9**



Meets the American Disabilities Act Guidelines and **ANSI A117.1** Requirements for the physically challenged.

