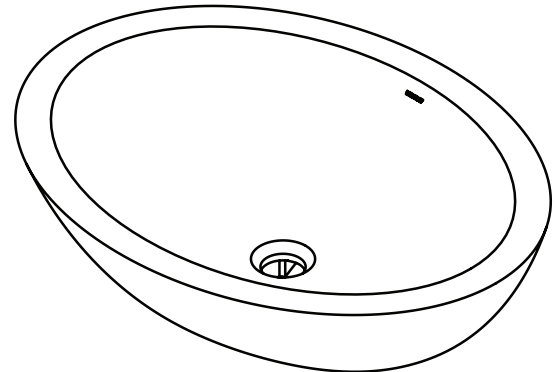




PRODUCT DESCRIPTION

Oval Vitreous China Vessel with Overflow

- Anchara Collection
- 23 1/4" x 17 3/4" Oval
- Vitreous China
- High-Gloss Ceramic Finish
- For Above Counter Use
- CSA Certified: CSA B45.0-02, CSA B45.1-02
ASME A112.19.2M-1998



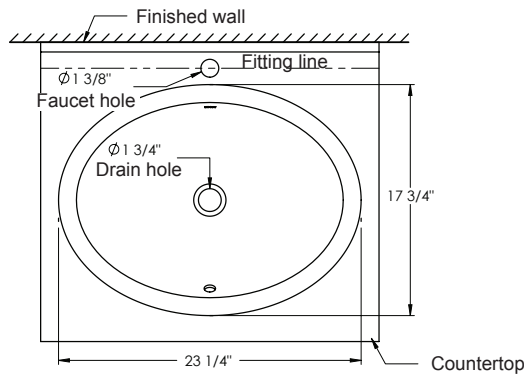
PRODUCT MEASUREMENTS

- Width: 23 1/4 inches (59 cm)
- Depth: 17 3/4 inches (45 cm)
- Height: 6 1/2 inches (16.5 cm)

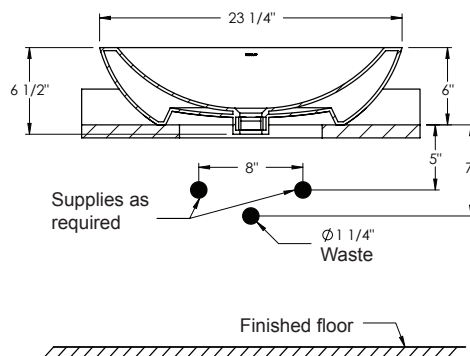
RECOMMENDED ACCESSORIES

- DECOLAV® 9295 Grid Drain with Overflow
- DECOLAV® 9297 Push Button Closing Umbrella Drain with Overflow
- DECOLAV® 9100 Decorative Bottle Trap

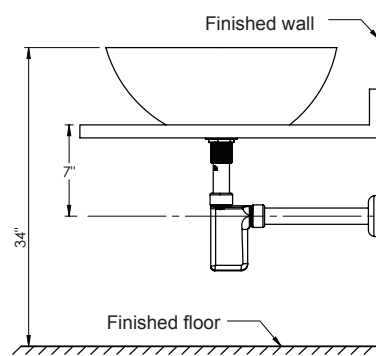
ROUGHING-IN DIMENSIONS



TOP VIEW



FRONT VIEW



SIDE VIEW