

# MAYTAG® Electric Counter-Mounted Cooktop

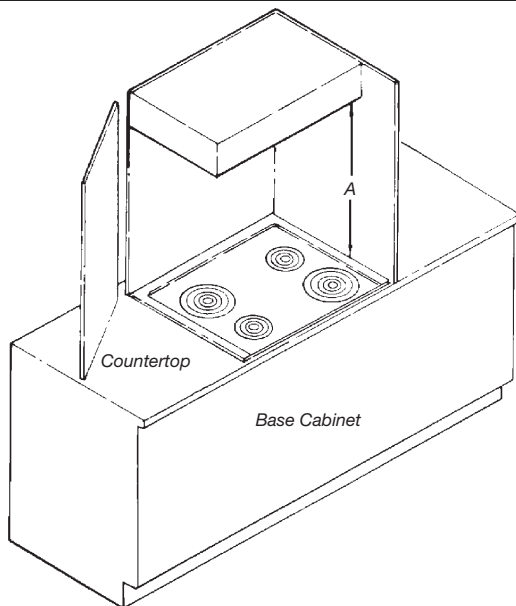
## PRODUCT MODEL NUMBERS

MEC4436AA

**Electrical:** This unit requires a single phase 3-wire 120/240 or a 120/208 volt, 60 Hz, AC circuit. Wiring codes require that a separate circuit be run from the main entrance panel to the unit and that it be equipped with separate disconnect switch and fuses, either in the main entrance panel or in a separate switch and fuse box.

This unit is supplied with a 240/208 volt wiring system consisting of 2 insulated connectors and 1 bare grounding wire for use on a 3-wire 120/240 or a 120/208 volts, 60 Hz AC branch circuit. Connect only to a 3-wire, 120/240 volt power supply; the neutral conductor is not required for the operation of the appliance. The potential at the power supply electrical connections shall be 150 volts-to-ground or less. The flexible armored conduit supplied with the unit must be connected to an approved electrical junction box by means of an approved conduit to box connector.

## CABINET OPENING DIMENSIONS



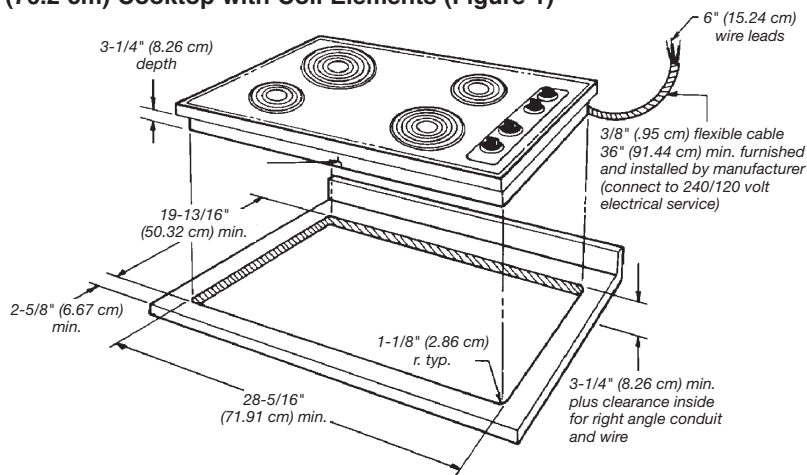
Units shown in Figures 1 and 2 may be installed in combustible countertop and must be spaced at least 1" (2.54 cm) from combustible sides and rear wall above countertop. Unit shown in Figure 3 may be installed in combustible countertop and adjacent to [0" (0 cm) from] combustible sides and rear wall above countertop.

Dimension A = 30" (76.2 cm) minimum clearance between top of the cooking surface and the bottom of an unprotected wood or metal cabinet, or A = 24" (60.96 cm) minimum when bottom of wood or metal cabinet is protected by not less than 1/4" (0.64 cm) flame retardant millboard covered with not less than No. 28 MSG sheet steel, .015" (0.4 mm) stainless steel, .024" (0.6 mm) aluminum or .020" (0.5 mm) copper.

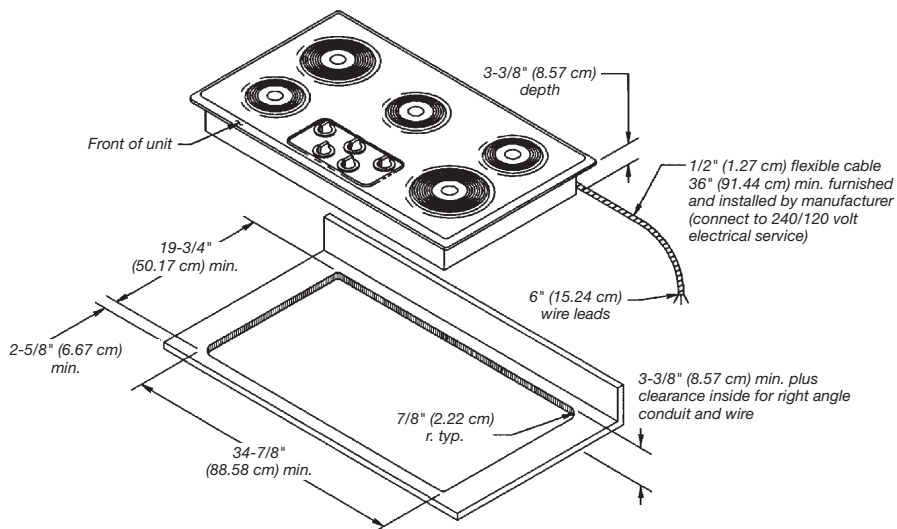
To eliminate the hazard of reaching over heated surface units, cabinet storage space located above the surface units should be avoided. If cabinet storage is to be provided, the hazard can be reduced by installing a range hood that projects horizontally a minimum of 5" (12.7 cm) beyond the bottom of the cabinets.

## PRODUCT DIMENSIONS

### 30" (76.2 cm) Cooktop with Coil Elements (Figure 1)



### 36" (91.44 cm) Cooktop with Coil Elements (Figure 2)



### 30" (76.2 cm) Smoothtop Ceramic Cooktop (Figure 3)

