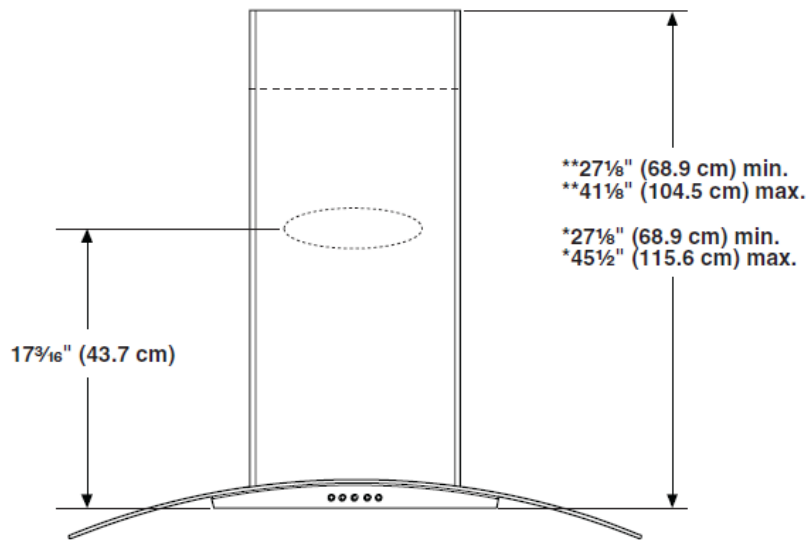
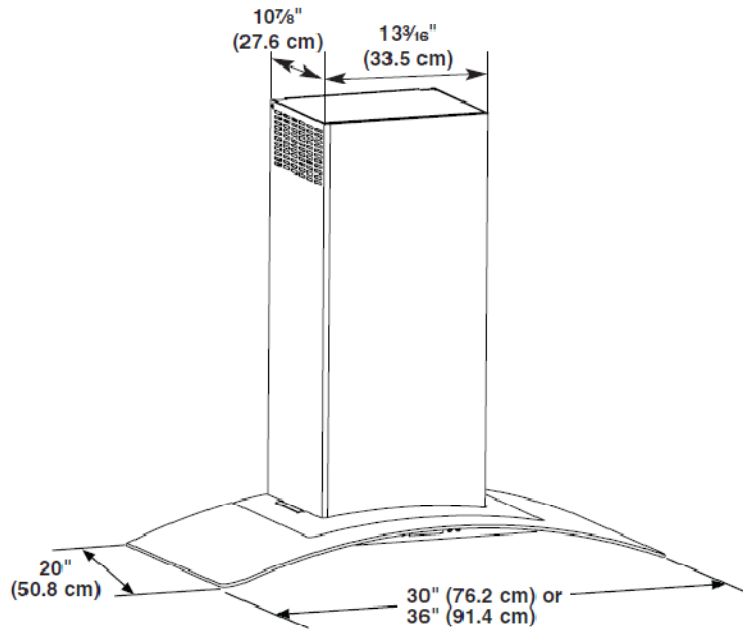


---

**Product Dimensions**

---



\*For non-vented (recirculating) installations

\*\*For vented installations