

Read and save these instructions.

OWNER'S GUIDE

Refrigerator



TABLE OF CONTENTS

Record Serial/Model Numbers	2
Safety	2-3
First Steps	4-5
Energy Saving Tips	5
Setting the Temperature Control	5
Refrigerator Features	5
Care and Cleaning	6
Service Information (Canada)	6
Warranty (United States)	7
Warranty (Canada)	8
Troubleshooting Guide	9-10

SERIAL / MODEL NUMBERS

READ AND SAVE THESE INSTRUCTIONS

This Owner's Guide provides specific operating instructions for your model. Use your refrigerator only as instructed in this guide. These instructions are not meant to cover every possible condition and situation that may occur. Common sense and caution must be practiced when installing, operating, and maintaining any appliance.

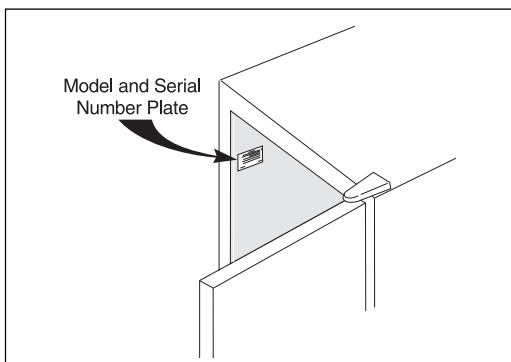
Record Your Model and Serial Numbers

Record the model and serial numbers in the space provided below. The serial plate is located on the upper left wall inside the refrigerator.

Model Number: _____

Serial Number: _____

Purchase Date: _____



IMPORTANT SAFETY INSTRUCTIONS

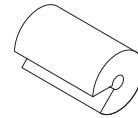
READ ALL INSTRUCTIONS BEFORE USING THIS REFRIGERATOR.

⚠ WARNING FOR YOUR SAFETY

Do not store or use gasoline, or other flammable vapors and liquids in the vicinity of this or any other appliance. Read product labels for flammability and other warnings.

⚠ WARNING CHILD SAFETY

- Destroy carton, plastic bags, and any exterior wrapping material immediately after the refrigerator is unpacked. Children should never use these items to play. Cartons covered with rugs, bedspreads, plastic sheets or stretch wrap may become airtight chambers, and can quickly cause suffocation.
- Remove all staples from the carton. Staples can cause severe cuts, and destroy finishes if they come in contact with other appliances or furniture.
- An empty, discarded ice box, refrigerator, or freezer is a very dangerous attraction to children.
- Remove and discard any spacers used to secure the shelves during shipping. Small objects are a choke hazard to children.



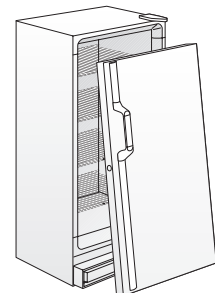
Remove the door(s) of any appliance that is not in use, even if it is being discarded.

Proper Disposal of Your Refrigerator/Freezer

⚠ WARNING Risk of child entrapment. Child entrapment and suffocation are not problems of the past. Junked or abandoned refrigerators or freezers are still dangerous — even if they will sit for "just a few days." If you are getting rid of your old refrigerator or freezer, please follow the instructions below to help prevent accidents.

BEFORE YOU THROW AWAY YOUR OLD REFRIGERATOR/FREEZER:

- Remove doors.
- Leave shelves in place so children may not easily climb inside.



⚠ WARNING ELECTRICAL INFORMATION

These guidelines must be followed to ensure that safety mechanisms in the design of this refrigerator will operate properly.

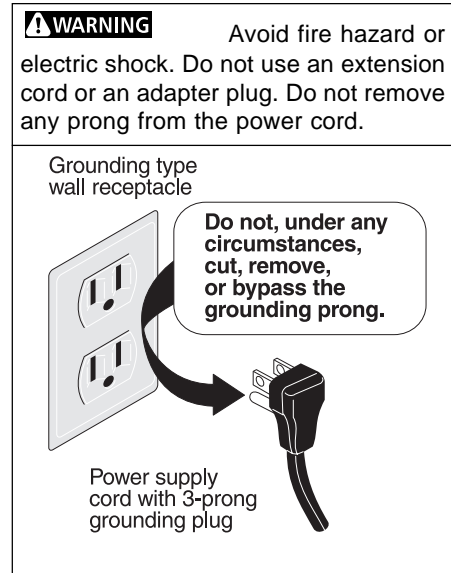
- **Refrigerator must be plugged into its own 115 Volt, 60 Hz., AC only electric outlet.** The power cord of the appliance is equipped with a three-prong grounding plug for your protection against shock hazards. It must be plugged directly into a properly grounded three-prong receptacle. The receptacle must be installed in accordance with local codes and ordinances. Consult a qualified electrician. **Do not use an extension cord or adapter plug.**
- If voltage varies by 10% or more, performance of your refrigerator may be affected. Operating refrigerator with insufficient power can damage the compressor.
- To prevent the refrigerator from being turned off accidentally, do not plug unit into an outlet controlled by a wall switch or pull cord.
- Do not pinch, knot, or bend the cord in any manner.

⚠ WARNING OTHER PRECAUTIONS

- Never unplug the refrigerator by pulling on the cord. Always grip the plug firmly, and pull straight out from the receptacle.
- To avoid electrical shock, unplug the refrigerator before cleaning and before replacing a light bulb.

NOTE: Turning the temperature control to OFF turns off the compressor, but does not disconnect the power to the light bulb or other electrical components.

- Do not operate refrigerator in the presence of explosive fumes.

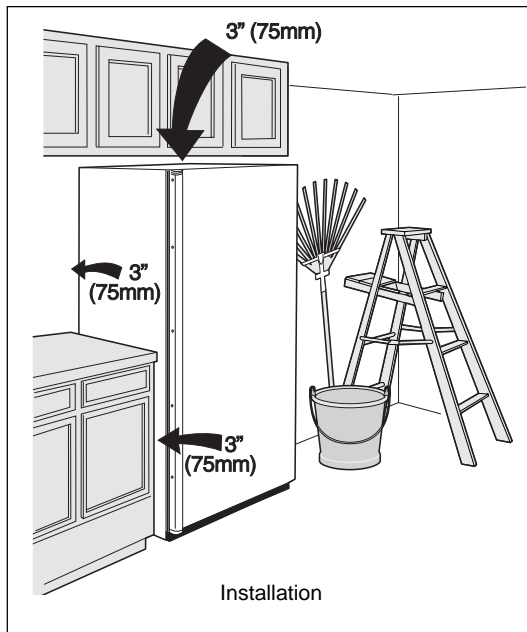


FIRST STEPS

This Owner's Guide provides specific operating instructions for your model. Use the refrigerator only as instructed in this Owner's Guide. **Before starting the refrigerator, follow these important first steps.**

INSTALLATION

- Choose a place that is near a grounded electrical outlet. **Do Not** use an extension cord or an adapter plug.
- For the most efficient operation, the refrigerator should be located where surrounding temperatures will not drop below 10° F (-12° C) or exceed 110° F (43° C). The Freeze Control Feature is designed to automatically maintain the selected interior refrigerator temperature within these boundaries.
- *Allow space around the unit for good air circulation.* Leave a 3 inch (75 mm) space on all sides of the refrigerator for adequate circulation.



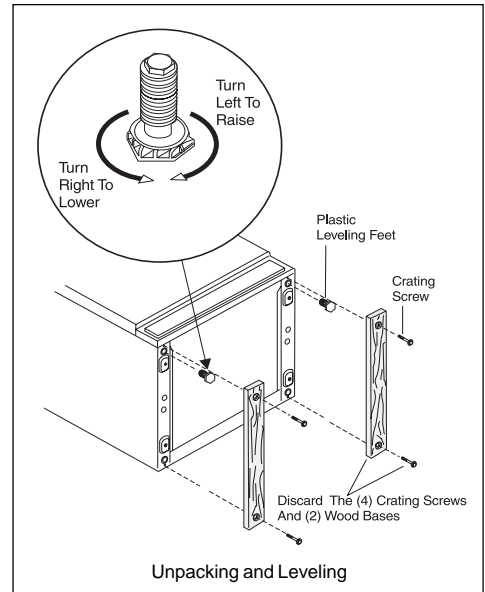
NOTE: The exterior walls of the refrigerator may become quite warm as the compressor works to transfer heat from the inside. Temperatures as much as 30° F warmer than room temperature can be expected. For this reason it is particularly important in hotter climates to allow enough space for air circulation around your refrigerator.

LEVELING

The refrigerator must have all bottom corners resting firmly on a solid floor. The floor must be strong enough to support a fully loaded refrigerator. **NOTE:** It is **Very Important** for your refrigerator to be level in order to function properly. If the refrigerator is not leveled during installation, the door may be misaligned and not close or seal properly, causing cooling, frost, or moisture problems.

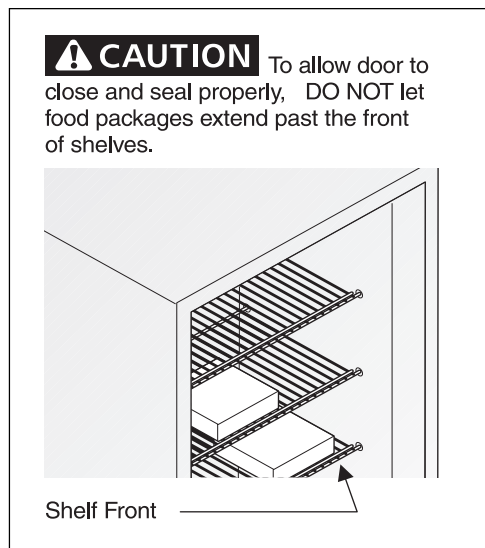
To Level Your Refrigerator:

After discarding crating screws and wood base, use a carpenter's level to level the refrigerator from front-to-back. Adjust the plastic leveling feet in front, ½ bubble higher, so that the door closes easily when left halfway open.



CLEANING

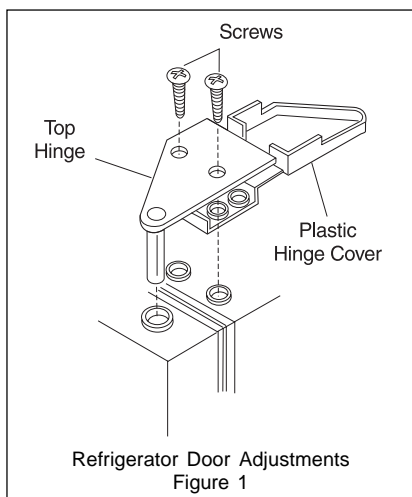
- Wash any removable parts of the refrigerator interior, and exterior with mild detergent and warm water. Wipe dry. **Do not use harsh cleaners on these surfaces.**
- Do not use razor blades or other sharp instruments, which can scratch the appliance surface when removing adhesive labels. Any glue left from the tape can be removed with a mixture of warm water and mild detergent, or touch the residue with the sticky side of tape already removed. **Do not remove the serial plate.**



DOOR REMOVAL

If door must be removed to fit through narrow doorways:

1. Gently lay refrigerator on its back, on a throw rug or blanket.
2. Remove the base panel by unscrewing two screws from front of base panel.
3. At the top of the cabinet, lift up plastic hinge cover, and fold back. (Figure 1)
4. Use a Phillips® screwdriver to loosen and retighten the screws on the top hinge to ensure a secure assembly, and prevent hinge slippage.
5. Remove the top hinge from cabinet, and lift door off lower hinge pin.
6. After door is removed, remove the two screws from the bottom hinge.
7. To replace door, reverse above order.



ENERGY SAVING TIPS



- Install the refrigerator in the coolest part of the room, out of direct sunlight and away from heating ducts or registers. Do not place the refrigerator next to heat-producing appliances such as a range, oven or dishwasher.
- Level the refrigerator so the doors close tightly.
- Do not overcrowd the refrigerator or block cold air vents. Doing so causes the refrigerator to run longer and use more energy. Shelves should not be lined with aluminum foil, wax paper or paper toweling. Liners interfere with cold air circulation, making the refrigerator less efficient, which could cause food spoilage.

- Cover foods and wipe containers dry before placing them in the refrigerator. This cuts down on moisture build-up inside the unit.
- Organize the refrigerator to reduce door openings. Remove as many items as needed at one time and close the door as soon as possible.

SETTING THE TEMPERATURE CONTROL

COOL DOWN PERIOD

For safe food storage, allow 4 hours for the refrigerator to cool down completely. The refrigerator will run continuously for the first several hours.

TEMPERATURE CONTROL

The temperature control is located inside the refrigerator. The temperature is factory preset to provide satisfactory food storage temperatures. However, the temperature control is adjustable to provide a range of temperatures for your personal satisfaction. If a colder temperature is desired, turn the temperature control knob toward COLDEST and allow several hours for temperatures to stabilize between adjustments.

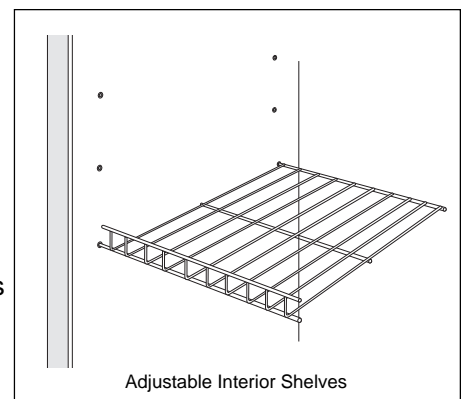
REFRIGERATOR FEATURES

INTERIOR LIGHT

The light comes on automatically when the door is opened. To replace the light bulb, turn the temperature control to OFF and **unplug the electrical cord**. Replace the old bulb with a bulb of the same wattage.

ADJUSTABLE INTERIOR SHELVES

Multi-position adjustable interior shelves can be moved to any position for larger or smaller packages. The shipping spacers that stabilize the shelves for shipping should be removed and discarded.



AUTOMATIC FREEZE CONTROL

The Freeze Control Feature will maintain proper interior refrigerator temperature even when the refrigerator is placed in an area where the surrounding temperature drops down to 10° F (-12° C).

CARE AND CLEANING

CLEANING THE INSIDE

Wash inside surfaces of the refrigerator with a solution of two tablespoons of baking soda in one quart (1.136 litres) warm water. Rinse and dry. Wring excess water out of the sponge or cloth when cleaning in the area of the controls, or any electrical parts.

Wash the removable parts with the baking soda solution mentioned above, or mild detergent and warm water. Rinse and dry. **Never** use metallic scouring pads, brushes, abrasive cleaners, or alkaline solutions on any surface. Do not wash removable parts in a dishwasher.

CLEANING THE OUTSIDE

Wash the cabinet with warm water and mild liquid detergent. Rinse well and wipe dry with a clean soft cloth. Replace parts and food.

⚠ WARNING If leaving the refrigerator door open while on vacation, make certain that children cannot get into the refrigerator and become entrapped.

VACATION AND MOVING TIPS

Vacations:

If the refrigerator will not be used for several months:

- Remove all food and unplug the power cord.
- Clean and dry the interior thoroughly.
- Leave the refrigerator door open slightly, blocking it open if necessary, to prevent odor and mold growth.

Moving: When moving the refrigerator, follow these guidelines to prevent damage:

- Disconnect the power cord plug from the wall outlet.
- Remove foods and clean the refrigerator.
- Secure all loose items by taping them securely in place to prevent damage.
- In the moving vehicle, secure refrigerator in an upright position to prevent movement. Also protect outside of refrigerator with a blanket, or similar item.

SERVICE INFORMATION (CANADA)

To avoid unnecessary cost and inconvenience, make a few simple checks before calling for service. Common occurrences and their solutions can be found in the Avoid Service Checklist. Be sure you have followed the instructions in this manual.

If you are unable to locate the cause of a problem, call for service. Insist on factory service by an authorized FRIGIDAIRE PARTS AND SERVICE depot.

FRIGIDAIRE PARTS AND SERVICE

All Frigidaire appliances are backed by FRIGIDAIRE PARTS AND SERVICE, one of Canada's largest parts and service networks.

The Frigidaire reputation means you can enjoy complete professional service from one of our hundreds of trained technicians across the country.

FRIGIDAIRE PARTS AND SERVICE

7075 Ordan Drive
Mississauga, Ontario
L5T 1K6

Place the name, address and telephone number of your service depot in the spaces below.

Product and feature specifications as described or illustrated are subject to change without notice.

FRIGIDAIRE REFRIGERATOR WARRANTY (USA Only)

Your Frigidaire product is protected by this warranty

	WARRANTY PERIOD	FRIGIDAIRE, THROUGH ITS AUTHORIZED SERVICERS, WILL:	THE CONSUMER WILL BE RESPONSIBLE FOR:
FULL ONE-YEAR WARRANTY	One year from original purchase date.	Pay all costs for repairing or replacing any parts of this appliance which prove to be defective in materials or workmanship. Excludes original and replacement PureSource Plus™ Ice & Water filter cartridges (if equipped). Original and replacement cartridges are warranted for 30 days (parts only).	Costs of service calls that are listed under NORMAL RESPONSIBILITIES OF THE CONSUMER. *
LIMITED 2ND - 5TH YEAR WARRANTY (Cabinet Liner and Sealed System)	Second through fifth years from original purchase date.	Repair or replace any parts in the cabinet liner or Sealed Refrigeration System (compressor, condenser, evaporator, drier and tubing) which prove to be defective in materials or workmanship.	Costs for pick up and delivery of the appliance required because of service. Costs for labor, parts and transportation other than with respect to the cabinet liner or Sealed Refrigeration System.
LIMITED WARRANTY (Applicable to the State of Alaska)	Time periods listed above.	All of the provisions of the full warranties above and the exclusions listed below apply.	Costs of the technician's travel to the home and any costs for pick up and delivery of the appliance required because of service.

Your appliance is warranted by White Consolidated Industries, Inc. We authorize no person to change or add to any of our obligations under this warranty. Our obligations for service and parts under this warranty must be performed by Frigidaire or an authorized Frigidaire servicer.

*NORMAL RESPONSIBILITIES OF THE CONSUMER

This warranty applies only to products in ordinary household use, and the consumer is responsible for the items listed below:

1. Proper use of the appliance in accordance with instructions provided with the product.
2. Proper installation by an authorized servicer in accordance with instructions provided with the appliance and in accordance with all local plumbing, electrical and/or gas codes.
3. Proper connection to a grounded power supply of sufficient voltage, replacement of blown fuses, repair of loose connections or defects in house wiring.
4. Expenses for making the appliance accessible for servicing, such as removal of trim, cupboards, shelves, etc., which are not a part of the appliance when it was shipped from the factory.
5. Damages to finish after installation.
6. Replacement of light bulbs and/or fluorescent tubes (on models with these features).

EXCLUSIONS

This warranty does not cover the following:

1. CONSEQUENTIAL OR INCIDENTAL DAMAGES SUCH AS PROPERTY DAMAGE AND INCIDENTAL EXPENSES RESULTING FROM ANY BREACH OF THIS WRITTEN OR ANY IMPLIED WARRANTY.
Note: Some states do not allow the exclusion or limitation of incidental or consequential damages, so this limitation or exclusion may not apply to you.
2. Service calls which do not involve malfunction or defects in workmanship or material, or for appliances not in ordinary household use. The consumer shall pay for such service calls.
3. Damages caused by services performed by servicers other than Frigidaire or its authorized servicers; use of parts other than genuine Electrolux Home Products parts; obtained from persons other than such servicers; or external causes such as abuse, misuse, inadequate power supply or acts of God.
4. Products with original serial numbers that have been removed or altered and cannot be readily determined.

IF YOU NEED SERVICE

Keep your bill of sale, delivery slip, or some other appropriate payment record. The date on the bill establishes the warranty period should service be required. If service is performed, it is in your best interest to obtain and keep all receipts. This written warranty gives you specific legal rights. You may also have other rights that vary from state to state. Service under this warranty must be obtained by contacting Electrolux Home Products:

800-944-9044
Electrolux Home Products
P.O. Box 212378
Augusta, GA 30917

Product features or specifications as described or illustrated are subject to change without notice. All warranties are made by White Consolidated Industries, Inc. This warranty applies only in the 50 states of the U.S.A. and Puerto Rico.

WARRANTY IN CANADA REFRIGERATORS (FROST FREE)

WARRANTOR:

FRIGIDAIRE HOME PRODUCTS OF CANADA

7075 Ordan Drive
Mississauga, Ontario
L5T 1K6

This refrigerator is a branded product of Electrolux Home Products.

For service under this warranty, contact your dealer/retailer, authorized **FRIGIDAIRE PARTS AND SERVICE** depot, or:

ELECTROLUX HOME PRODUCTS PARTS AND SERVICE

7075 Ordan Drive
Mississauga, Ontario
L5T 1K6
Phone: (905) 565-9200
Fax: (905) 565-0937

WARRANTY PERIOD:

For the first year after purchase by the original consumer/owner:

For the second, third, fourth, fifth, sixth, seventh, eighth, ninth and tenth year after purchase by the original consumer/owner:

WARRANTOR WILL THROUGH ITS AUTHORIZED SERVICE DEPOT:

Pay cost to repair or replace any defective parts (including service and labour charge).

Pay cost (including service and labour charge) to repair or replace defective parts of the sealed refrigeration system and motor compressor (consisting of evaporator, condenser, interconnecting tubing, drier and refrigeration charge).

WARRANTY APPLIES TO:

- a) Products purchased and installed in Canada for personal single family household use.
- b) Defects resulting or arising out of the manufacturing process.
- c) Products bearing legible manufacturer's model and serial numbers.
- d) Replacement parts only for the remainder of the original warranty.

WARRANTY DOES NOT APPLY TO:

- a) Transportation damage.
- b) Supply and replacement of porcelain, fuses, glass and light bulbs.
- c) Parts and service supplied or obtained from other than **FRIGIDAIRE PARTS AND SERVICE** or **FRIGIDAIRE PARTS AND SERVICE** authorized depots.
- d) Proper installation, control setting and care of finish.

CONSUMER/OWNER RESPONSIBILITY:

- a) To provide proof of the original date of purchase by means of a bill of sale or payment.
- b) Supply and replacement of porcelain, fuses, glass and light bulbs.
- c) To ensure proper power supply and connection of the appliance to same.
- d) Proper installation, control setting and care of finish.

This warranty is in addition to any statutory warranties contained in any applicable legislation. The terms and conditions of this warranty are not intended to exclude or limit your rights under those statutes. The warrantor however reserves the right to charge transportation and travelling costs for distances in excess of 48 kilometres (30 miles) from the nearest **FRIGIDAIRE PARTS AND SERVICE** authorized service depot.

This warranty plus the statutory warranties mentioned are the only warranties given to the consumer/owner for this product.

TROUBLESHOOTING GUIDE	Before calling for service, review this list. It may save you time and expense. This list includes common occurrences that are not the result of defective workmanship or materials in this appliance.	
PROBLEM	CAUSE	CORRECTION
REFRIGERATOR OPERATION		
Refrigerator does not run.	<ul style="list-style-type: none"> • Refrigerator is plugged into a circuit that has a ground fault interrupt. • Temperature control is in the OFF position. • Refrigerator may not be plugged in, or plug may be loose. • House fuse blown or tripped circuit breaker. • Power outage. 	<ul style="list-style-type: none"> • Use another circuit. If you are unsure about the outlet, have it checked by a certified technician. • See Setting the Temperature Control Section. • Ensure plug is tightly pushed into outlet. • Check/replace fuse with a 15 amp time-delay fuse. Reset circuit breaker. • Check house lights. Call local Electric Company.
Refrigerator runs too much or too long.	<ul style="list-style-type: none"> • Room or outside weather is hot. • Refrigerator has recently been disconnected for a period of time. • Large amounts of warm or hot food have been stored recently. • Doors are opened too frequently or too long. • Refrigerator door may be slightly open. • Temperature Control is set too low. • Refrigerator gasket is dirty, worn, cracked, or poorly fitted. 	<ul style="list-style-type: none"> • It's normal for the refrigerator to work harder under these conditions. • It takes 4 hours for the refrigerator to cool down completely. • Warm food will cause refrigerator to run more until the desired temperature is reached. • Warm air entering the refrigerator causes it to run more. Open doors less often. • See "DOOR PROBLEMS" Section. • Turn control knob to a warmer setting. Allow several hours for the temperature to stabilize. • Clean or change gasket. Leaks in the door seal will cause refrigerator to run longer in order to maintain desired temperature.
Interior refrigerator temperature is too cold.	<ul style="list-style-type: none"> • Temperature Control is set too low. 	<ul style="list-style-type: none"> • Turn the control to a warmer setting. Allow several hours for the temperature to stabilize.
Interior refrigerator temperature is too warm.	<ul style="list-style-type: none"> • Temperature Control is set too warm. • Door is kept open too long or is opened too frequently. • Door may not be seating properly. • Large amounts of warm or hot food may have been stored recently. • Refrigerator has recently been disconnected for a period of time. 	<ul style="list-style-type: none"> • Turn control to a colder setting. Allow several hours for the temperature to stabilize. • Warm air enters the refrigerator every time the door is opened. Open the door less often. • See "DOOR PROBLEMS" Section. • Wait until the refrigerator has had a chance to reach its selected temperature. • Refrigerator requires 4 hours to cool down completely.
Refrigerator external surface temperature is warm.	<ul style="list-style-type: none"> • The external refrigerator walls can be as much as 30°F warmer than room temperature. 	<ul style="list-style-type: none"> • This is normal while the compressor works to transfer heat from inside the refrigerator cabinet.
SOUND AND NOISE		
Louder sound levels whenever refrigerator is on.	<ul style="list-style-type: none"> • Modern refrigerators have increased storage capacity and more stable temperatures. They require a high efficiency compressor. 	<ul style="list-style-type: none"> • This is normal. When the surrounding noise level is low, you might hear the compressor running while it cools the interior.
Longer sound levels when compressor comes on.	<ul style="list-style-type: none"> • Refrigerator operates at higher pressures during the start of the ON cycle. 	<ul style="list-style-type: none"> • This is normal. Sound will level off or disappear as refrigerator continues to run.

PROBLEM	CAUSE	CORRECTION
SOUND AND NOISE (Cont.)		
Fan runs when room temperature is below 45°F.	<ul style="list-style-type: none"> Exterior thermostat has activated the heater and fan. 	<ul style="list-style-type: none"> This is normal.
Popping or cracking sound when compressor comes on.	<ul style="list-style-type: none"> Metal parts undergo expansion and contraction, as in hot water pipes. 	<ul style="list-style-type: none"> This is normal. Sound will level off or disappear as refrigerator continues to run.
Bubbling or gurgling sound, like water boiling.	<ul style="list-style-type: none"> Refrigerant (used to cool refrigerator) is circulating throughout the system. 	<ul style="list-style-type: none"> This is normal.
Vibrating or rattling noise.	<ul style="list-style-type: none"> Refrigerator is not level. It rocks on the floor when it is moved slightly. Refrigerator is touching the wall. 	<ul style="list-style-type: none"> Level the unit. Refer to "Leveling" in the First Steps Section. Relevel the refrigerator or move refrigerator slightly. Refer to "Leveling" in the First Steps Section.
Snapping Sound.	<ul style="list-style-type: none"> Cold Control turning the refrigerator on and off. 	<ul style="list-style-type: none"> This is normal.
WATER/MOISTURE/FROST INSIDE REFRIGERATOR		
Moisture forms on inside of refrigerator walls.	<ul style="list-style-type: none"> Weather is hot and humid. Door may not be seating properly. Door is kept open too long, or is opened too frequently. 	<ul style="list-style-type: none"> This is normal. See "DOOR PROBLEMS" Section. Open the door less often.
WATER/MOISTURE/FROST OUTSIDE REFRIGERATOR		
Moisture forms on outside of refrigerator.	<ul style="list-style-type: none"> Door may not be seating properly, causing the cold air from inside the refrigerator to meet warm moist air from outside. 	<ul style="list-style-type: none"> See "DOOR PROBLEMS" Section.
ODOR IN REFRIGERATOR		
Odors in refrigerator.	<ul style="list-style-type: none"> Interior needs to be cleaned. Foods with strong odors are in the refrigerator. 	<ul style="list-style-type: none"> Clean interior with sponge, warm water, and baking soda. Cover the food tightly.
DOOR PROBLEMS		
Door will not close.	<ul style="list-style-type: none"> Refrigerator is not level. It rocks on the floor when it is moved slightly. 	<ul style="list-style-type: none"> This condition can force the cabinet out of square and misalign the door. Refer to "Leveling" in the First Steps Section.
LIGHT BULB IS NOT ON		
Light bulb is not on.	<ul style="list-style-type: none"> Light bulb is burned out. No electric current is reaching the refrigerator. 	<ul style="list-style-type: none"> Follow directions under "Interior Light" in the Refrigerator Features Section. See "REFRIGERATOR OPERATION" Section.