

KOHLER® Roughing-In

K-4864
AMARETTO®
BIDET

Product Information

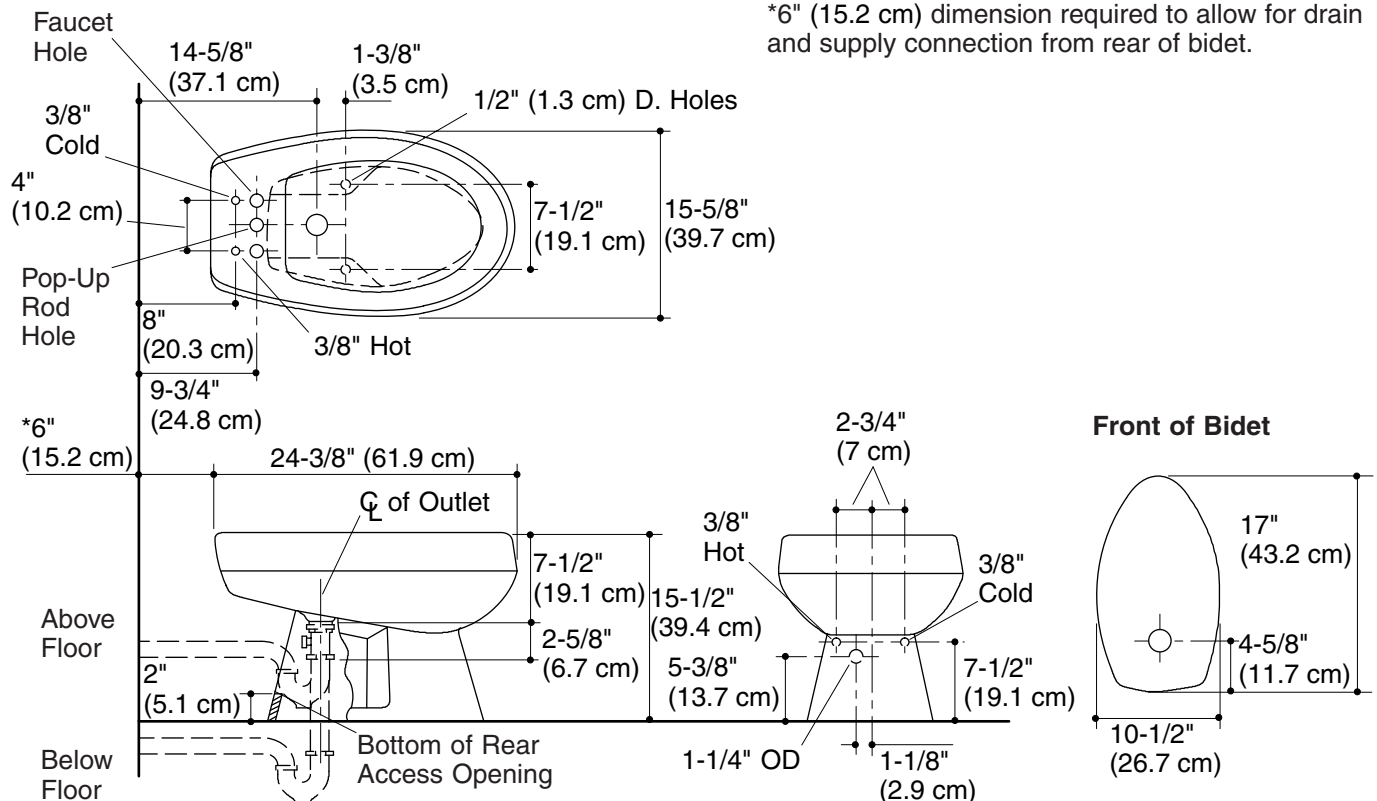
Applicable product:	
Bidet	K-4864
Recommended accessories:	
Taboret [®] LX faucet OR	K-8240
Taboret base faucet OR	K-8240-K
Revival [®] faucet	K-16131
P-Trap	K-8998
Fixture:	
Configuration	Faucet deck
Drain hole	1-3/4" (4.4 cm) D.
Faucet hole	1-3/16" (3 cm) D.
Pop-up rod hole	1-3/16" (3 cm) D.
Included components:	
Floor screws and cap bolts	52049

Installation Notes

Install this product according to the installation guide.

Install trap in drain line below floor.

Fixture conforms to ASME Standard A112.19.2/CSA B45.1. All dimensions are nominal.



*6" (15.2 cm) dimension required to allow for drain and supply connection from rear of bidet.