

Product Information

Applicable product:	
3/4" top spud stall urinal	K-4920-T
Fixture:	
Configuration	Top spud
Water per flush	0.5 gal (1.9 L) or 1.0 gal (3.8 L)*
Spud inlet size	3/4"
* Designed to flush with 0.5 gal (1.9 L) or 1.0 gal (3.8 L) of water when installed with a water-saving flushometer.	
Included components:	
Spud	18774
Optional accessories:	
Seam cover [for urinal set on 21" (533 mm) centers]	K-4931
Seam cover [for urinal set on 24" (610 mm) centers]	K-4932
Touchless battery-powered urinal flushometer, fixture mounted	K-13686

Recommended accessories:	
Strainer with china grate	K-9172
Strainer with stainless steel beehive grate	K-9183
WAVE exposed washout urinal flushometer – 0.5 gpf (1.9 lpf)	K-10675
WAVE exposed washout urinal flushometer – 1.0 gpf (3.8 lpf)r	K-10676
Touchless DC washout urinal flushometer – 0.5 gpf (1.9 lpf)	K-10958
Touchless DC washout urinal flushometer – 1.0 gpf (3.8 lpf)	K-10960
Manual washdown urinal flushometer – 1.0 gpf (3.8 lpf)	K-13518
Manual washdown urinal flushometer – 0.5 gpf (1.9 lpf)	K-13519

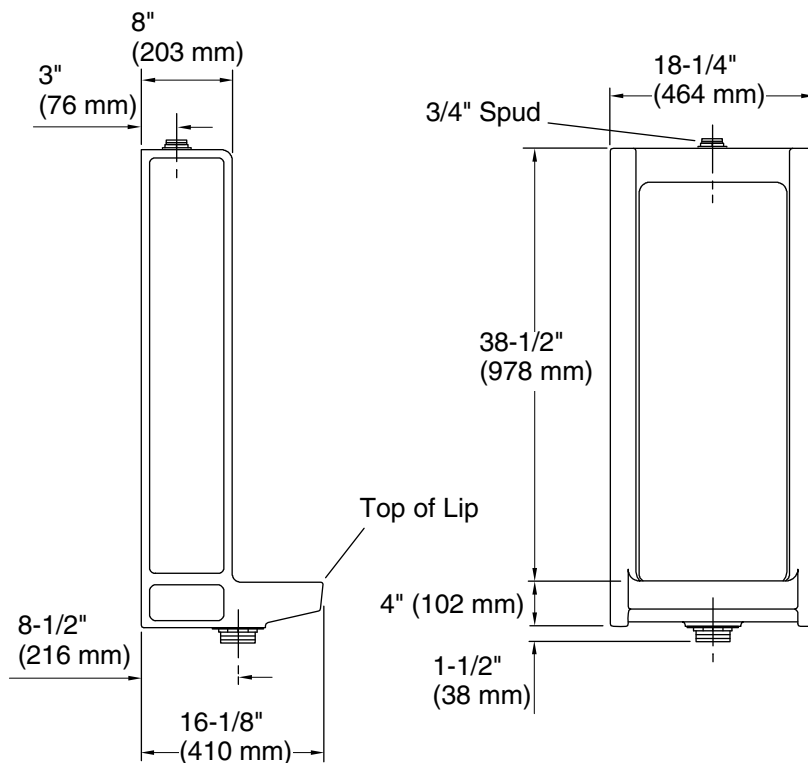
Installation Notes

Install this product according to the installation guide.

For proper drainage, install lip of urinal below floor level.

Refer to manufacturer's instructions and local codes for flushometer requirements.

Fixture conforms to ASME Standard A112.19.2/CSA B45.1. All dimensions are nominal.



BRANHAM™

Will comply with **ADA, ICC/ANSI A117.1** when installed per
Section 605 Urinals of the Act.