

KOHLER® Roughing-In

K-2929 PROVIDENCE® SELF-RIMMING LAVATORY

Product Information

Applicable product:	
8" (20.3 cm) centers lavatory	K-2929-8
4" (10.2 cm) centers lavatory	K-2929-4
Single-hole lavatory	K-2929-1

Fixture*:	
Basin area	19" (48.3 cm) x 12" (30.5 cm)
Water depth	4-1/2" (11.4 cm)
Drain hole	1-11/16" (4.3 cm) D.
* Approximate measurements for comparison only.	

Holes	K-2929-1	K-2929-4	K-2929-8
Spout	1-3/8" (3.5 cm) D.	1-1/8" (2.9 cm) D.	1-1/8" (2.9 cm) D.
Faucet		1-3/16" (3 cm) D.	1-3/8" (3.5 cm) D.

Recommended accessories:	
P-Trap	K-8998
Included components:	
Overflow ferrule (1)	84896
Cut-out template	114537-7

Installation Notes

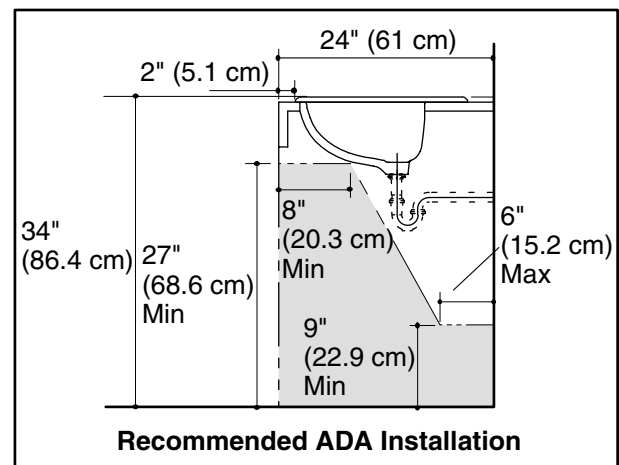
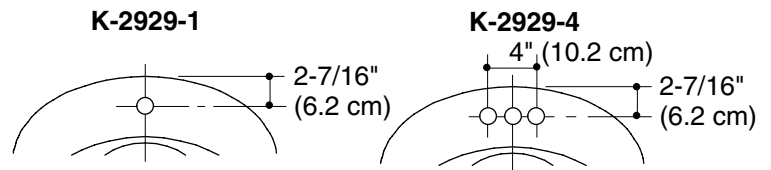
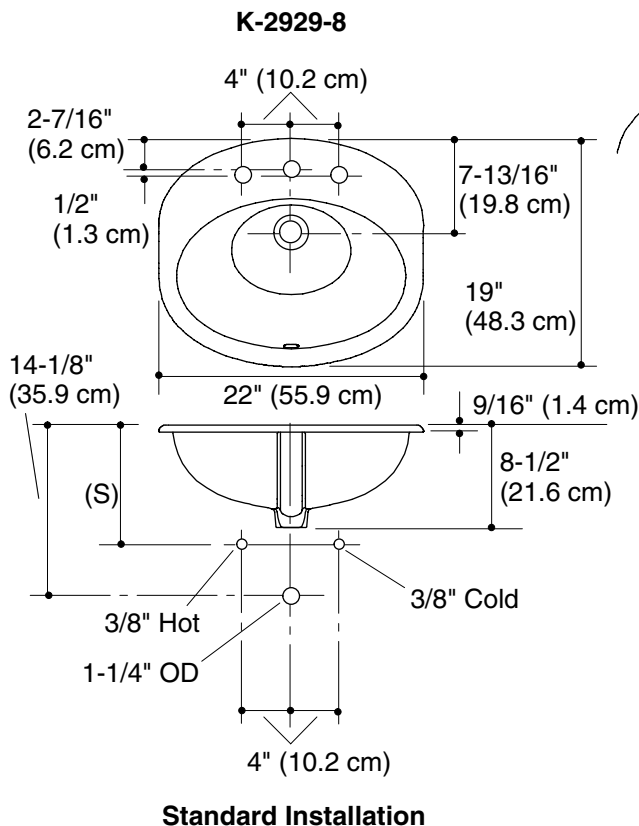
Install this product according to the installation guide.

Will comply with **ADA** when installed per Section 606 Lavatories of the Act.

Will comply with **CSA B651** when installed per Clause 4.3.3 of the standard.

Will comply with **OBC** when installed per Clause 3.8.3.11.

Fixture conforms to ASME Standard A112.19.1/CSA B45.2. All dimensions are nominal.



(S)	K-2929-1, K-2929-4	K-2929-8
	10" (25.4 cm)	14" (35.6 cm)