



## OWNER'S MANUAL

## Hybrid Shed


Includes instructions for 8' shed  
Assembled exterior dimensions: 7' 10" W. x 7' 10" D. x 8' 10" H.



### IMPORTANT

- **Basic carpentry skills are required to construct this shed. Professional installation is recommended if you are unfamiliar with basic wood-frame construction.**

### Before You Begin...

- **Consult your local authorities for any permits required to construct shed.**  
Prior to the construction of your shed, check with the local building code official to review any required permits or building limitations.
- **A level and sturdy foundation is required before shed construction can begin.**  
Site preparation information is available on page 13.
- **Read instructions thoroughly prior to assembly.**  
This kit contains parts that can be damaged if assembled incorrectly or in the wrong sequence.
- **Please follow instructions.**  
Suncast is not responsible for replacing parts lost or damaged due to incorrect assembly.
- **Check for all parts before you begin assembly.**  
Using the provided parts check list on pages 4-12, verify that you have all the parts required to construct your shed model. **COMPLETE SITE PREPARATION AND FOUNDATION CONSTRUCTION BEFORE UNPACKING ALL PARTS.**
- **Assistance is required during entire assembly.** 



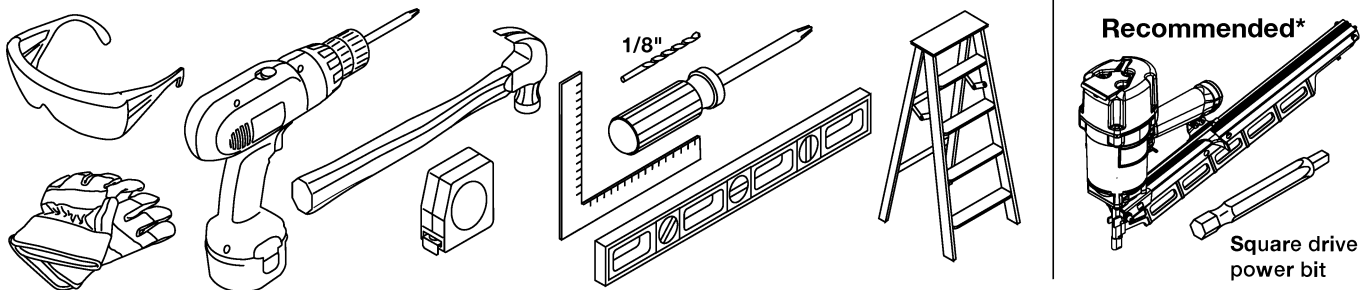
### CAUTION

- Proper site preparation required.
- Shed not intended for storage of flammable or caustic chemicals.
- Store heavy items near the bottom of shed.
- Shed not intended for use by children.
- **DO NOT** stand, sit, or store items on storage shed roof.
- Treat carefully in extreme temperatures.
- Repair or replace broken parts immediately.
- Suncast is not responsible for damage caused by weather or misuse.
- At regular intervals inspect your shed to make sure that assembly integrity has been maintained.
- Periodically check that the location you have chosen to set your shed is still level.
- This kit contains parts with metal edges. Please be careful when handling.

## Shed Safety and Care

- Wash shed with garden hose or mild detergent solution and soft cloth. **DO NOT** use a stiff brush or abrasive cleaner as that could damage shed. **DO NOT** use bleach or other caustic cleaners.
- Hot items, such as recently used grills, blowtorches, etc., must not be stored in the shed.
- Keep roof clean of snow and leaves.

## Tools Needed for Installation



\*A pneumatic nail gun can be used to install siding, this will save a great deal of time and prevent siding breakage.

## Assembly Day Tips

- **Complete site preparation and foundation construction before unpacking parts and beginning assembly.**
- **DO NOT attempt to assemble on a day with strong winds.**
- **DO NOT attempt to assemble on days when temperature is below 32 degrees.**
- **Set aside appropriate amount of time to completely assemble shed. Assembly time is about 12 hours (time may be significantly reduced if a nail gun is used to assemble the siding).**
- **Make sure you have assistance nearby to lift and secure parts in place.**
- **Wear light duty work gloves while assembling shed.**
- **Once roof is assembled, a flashlight or shoplight may be of use when assembling smaller components inside shed.**

**Note:** This product contains parts that are used in different orientations to construct the shed. Please take note of the orientation of the parts shown throughout this instruction manual. Failure to follow instructions could result in damage to parts. Suncastr is not responsible for replacing parts lost or damaged due to incorrect assembly.

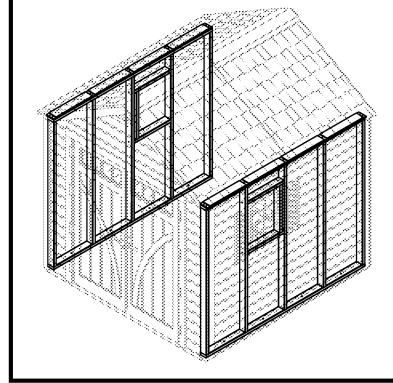
**Note:** The siding of this garden shed is constructed using tight-knot cedar. Knots occur naturally in the lumber and add decorative character to the unit. In some cases knots will work loose due to additional drying of the lumber while in the box. These knots can be filled with wood putty to maintain the integrity of the unit.

**Note:** Untreated cedar exposed to the elements will turn light grey in color over time. To keep the cedar wood looking fresh and vibrant, apply exterior sealer/stain within the first two weeks of exposure and at least one time each year. When painting the lumber it is recommended to put at least one coat of primer prior to painting it the color of your choice.

# Table of Contents

Parts.....	4
Hardware.....	11
Door Handle.....	12
Site Preparation and Platform Construction.....	13
Door Pre-Assembly (Box A).....	15
Roof Vent Pre-Assembly (Box A).....	16
Floor Assembly (Box A).....	16
Side Wall Framing (Boxes 1 & 2).....	17
Side Wall Siding Installation.....	22
Back Wall Framing (Box 3).....	24
Front Wall Framing (Box 4).....	25
Side and Rear Wall Installation.....	26
Rear Wall Siding Installation (Box 3).....	30
Front Wall Installation.....	31
Front Wall Siding Installation (Box 4).....	33
Rafter Assembly (Box 5).....	35
Rafter Installation.....	36
Roof Lathe Installation (Box 5).....	37
Gable Brace Installation.....	39
Gable Siding Installation (Box A).....	40
Vent Installation.....	42
Gable Trim Installation (Box 5).....	42
Corner Trim Installation.....	43
Fascia Installation (Box 5).....	44
Roof Panel Installation (Box 5).....	45
Door Installation.....	50
Door Trim Installation (Box 4).....	52
Door Hardware Installation (Box A).....	53
Window Installation.....	57
Window Trim Installation (Box A).....	57
Final Installation (Box A).....	58
Warranty.....	60
Factory Repairs.....	60

# Parts

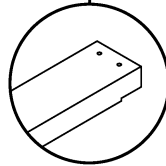


**B**

0W00096 – 91" Soffit and rafter support  
x2

**C**

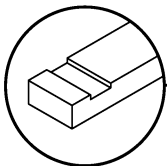
0W00092 – Top/bottom plates  
x4



Pre-drilled holes

**D**

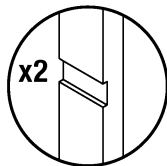
0W00095 – Window side frame piece  
x2



Notch

**E**

0W00094 – Window sill and header  
x4



x2

Notches

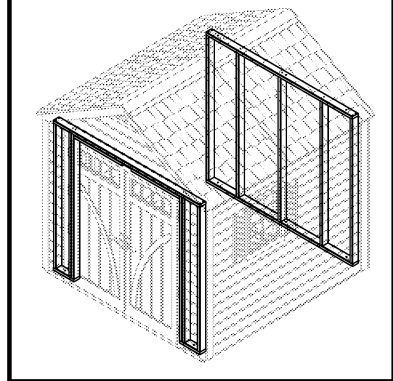
**F**

0W00093 – 72" Stud with window detail  
x4

**G**

0W00083 – 72" Stud  
x6

# Parts



**H**

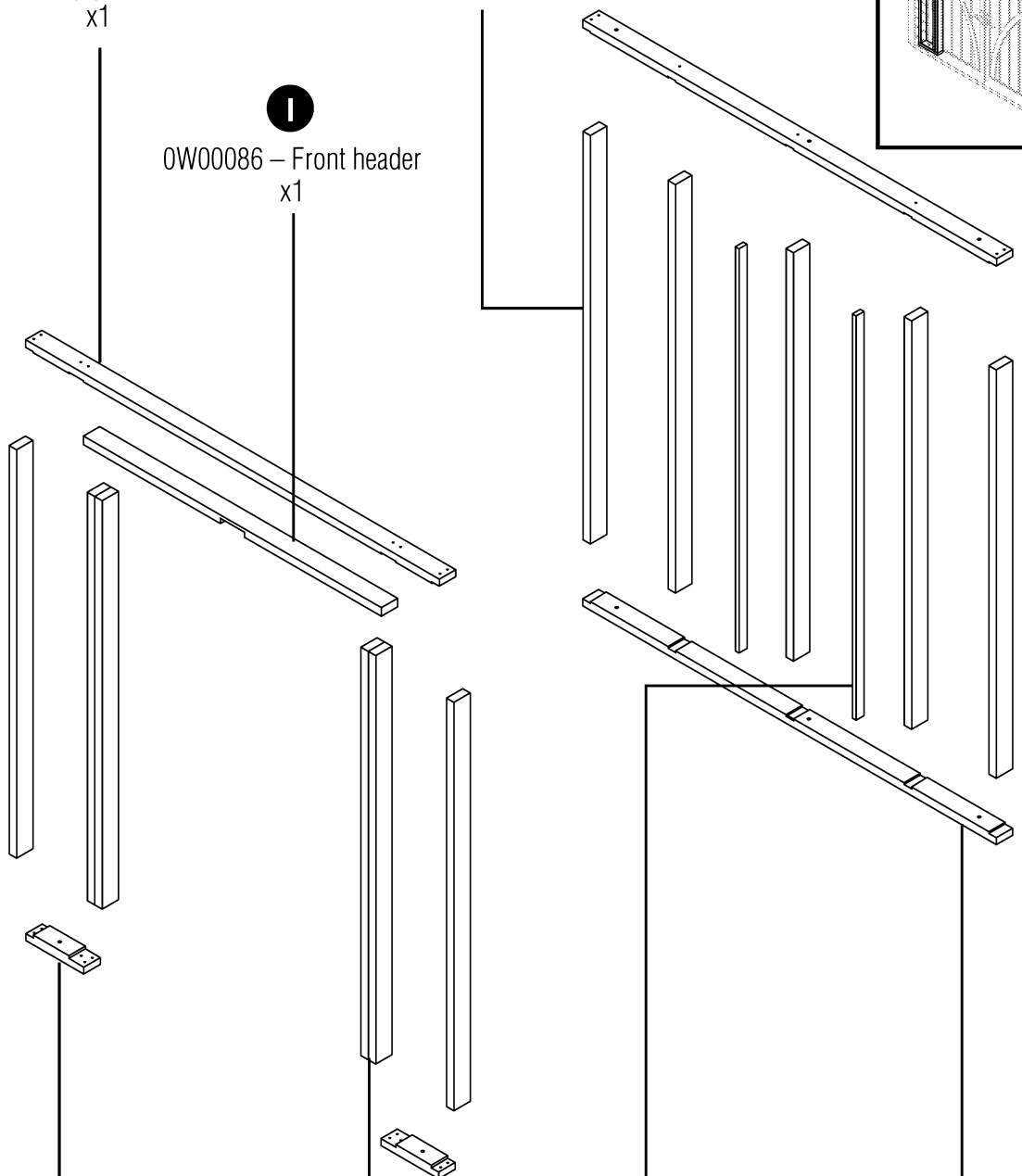
OW00080 – 84" Front wall top plate  
x1

**G**

OW00083 – 72" Stud  
x7

**I**

OW00086 – Front header  
x1



**K**

OW00081 – Front wall bottom plate  
x2

**L**

OW00082 – Front wall double studs  
x2

**C**

OW00205 – Nailer  
x2

**M**

OW00090 – Back wall top and bottom plate  
x2

# Parts

**N**  
0W00103 – Rafter gusset  
x8

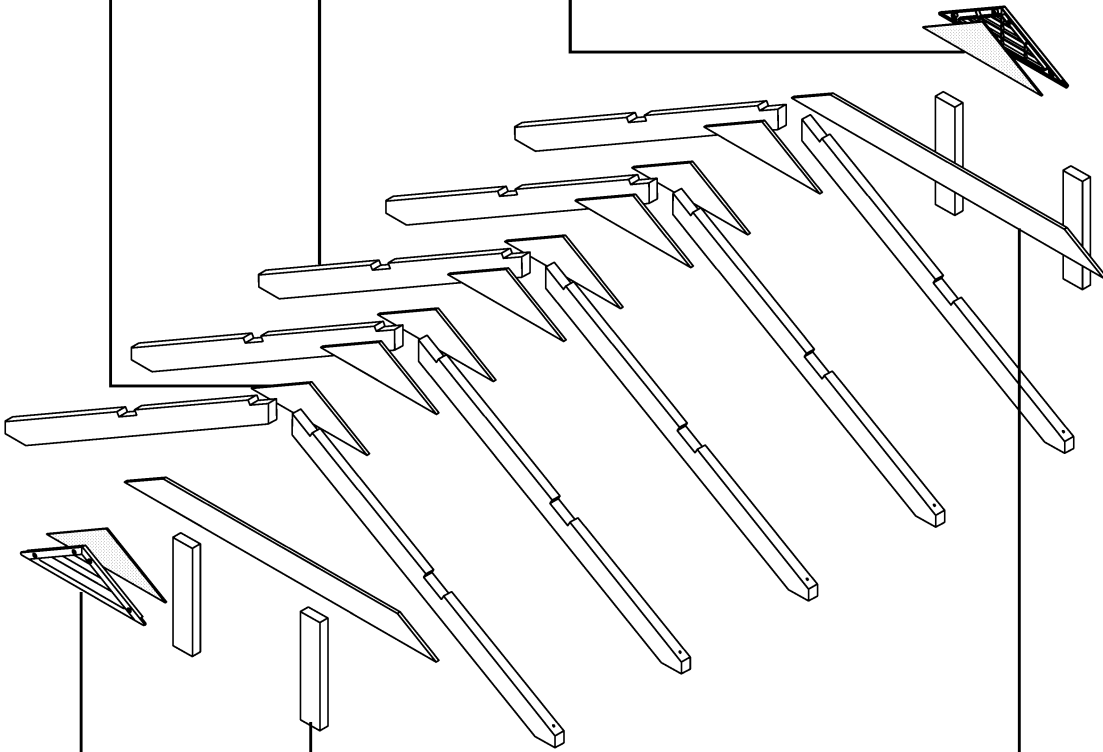
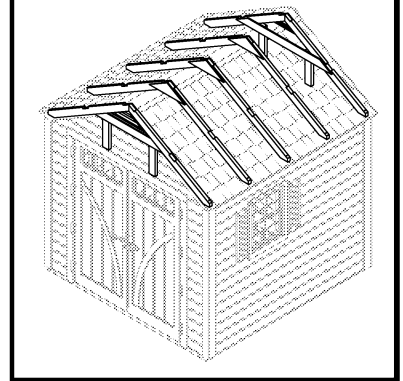
**P**  
0440594 – Vent screen  
x2

**O**  
0W00102 – Rafter  
x10

**Q**  
0102129C2 – Vent  
x2

**R**  
0W00104 – Vertical  
gable brace  
x4

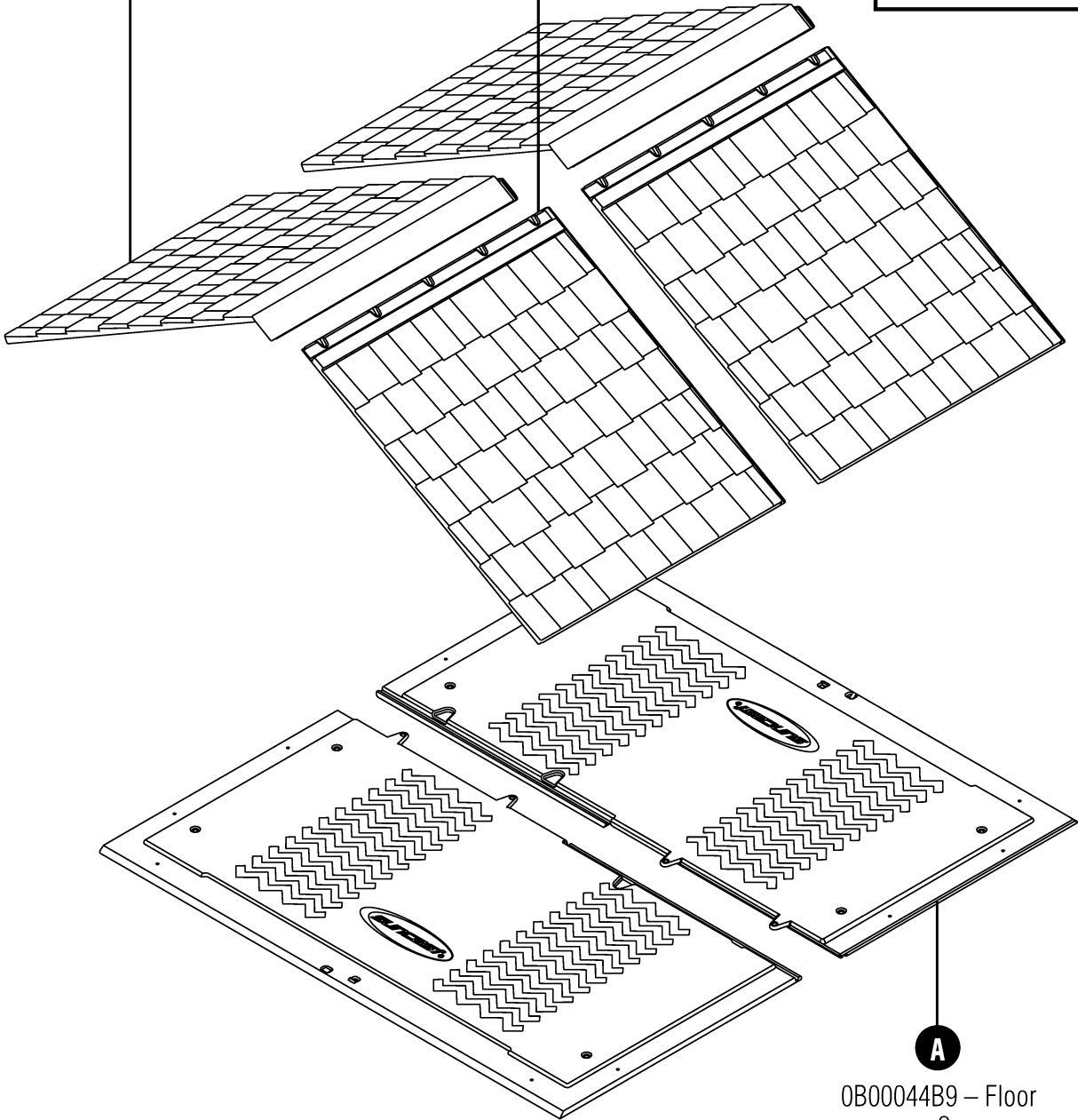
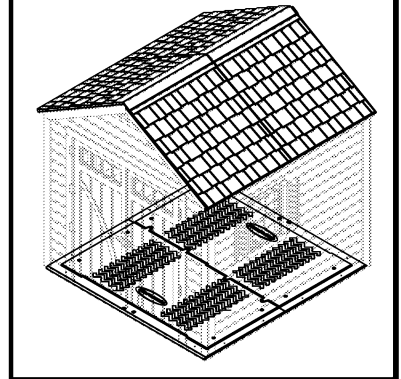
**S**  
0W00105 – Gable brace  
x2



# Parts

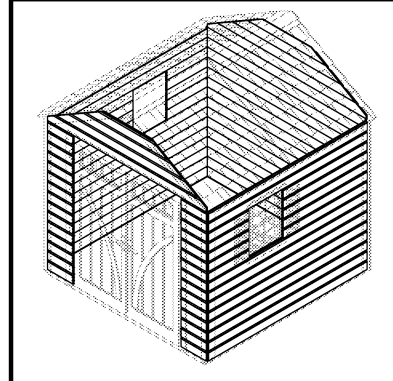
**T**  
0B00048B9 – Left roof  
x2

**U**  
0B00047B9 – Right roof  
x2



**A**  
0B00044B9 – Floor  
x2

# Parts



**X**  
 OW00109 – Gable  
 siding 91"  
 x2

**Z**  
 OW00111 – Gable  
 siding 63 3/4"  
 x2

**AA**  
 OW00112 – Gable  
 siding 46 1/2"  
 x2

**d**  
 OW00204 – Siding  
 45 1/2"  
 x28

**BB**  
 OW00084 – Siding  
 front 14 1/4"  
 x30

**DD**  
 OW00091 – Siding 91"  
 x19

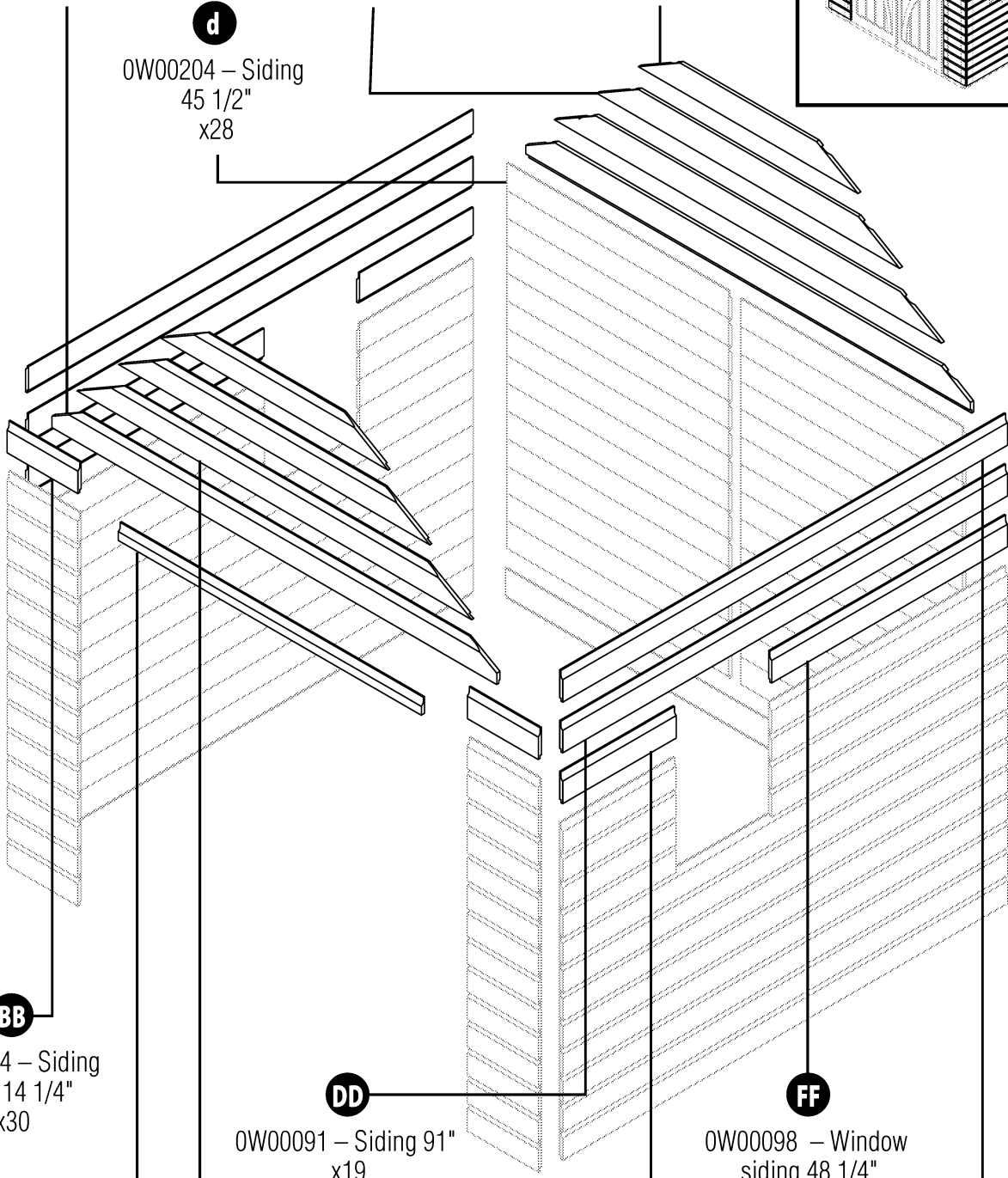
**FF**  
 OW00098 – Window  
 siding 48 1/4"  
 x10

**CC**  
 OW00085 –  
 Siding-over-door  
 x1

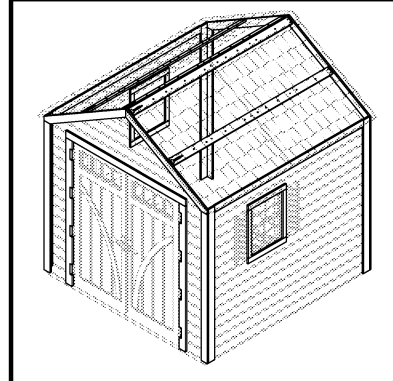
**Y**  
 OW00110 – Gable  
 siding 80 5/8"  
 x2

**EE**  
 OW00099 – Window  
 siding 23 1/4"  
 x10

**GG**  
 OW00097 – 1st Siding  
 piece  
 x2



# Parts



**LL**  
OW00108 – Gable trim  
x4

**NN**  
OW00106 – Roof lathe  
1" x 4", 91"  
x4

**OO**  
OW00152 – Horizontal  
window trim  
x4

**J**  
0510573 – Sun-  
cast  
logo plate  
x1

**e**  
OW00207 – Back  
horizontal trim  
x1

**PP**  
OW00100 – Corner  
trim 74 1/16"  
x4

**RR**  
OW00088 – Door  
top trim 68 1/2"  
x1

**TT**  
OW00101 – Corner  
trim 76 1/4"  
x4

**VV**  
OW00107 – Fascia  
board 1" x 3",  
85 1/4"x2

**QQ**  
OW00151 – Left door  
side trim  
x1

**SS**  
OW00087 – Door jamb  
sides 71 1/2", 3/4" x 2 1/4"  
x2

**UU**  
OW00089 – Right door  
side trim  
x1

**WW**  
OW00153 – Vertical  
window trim  
x4

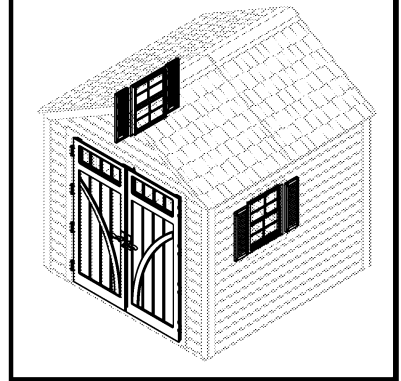
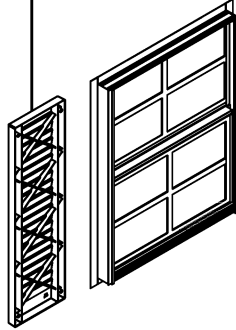
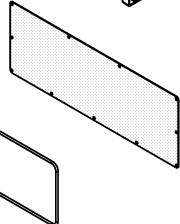
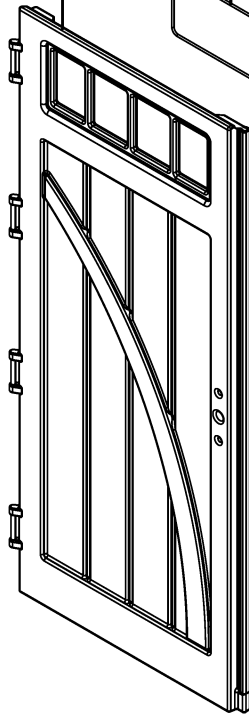
**f**  
OW00206 – Back  
center trim  
x1

# Parts

**W**  
0B00045C2 – Left  
door  
x1

**II**  
0102128C2 – Shutters  
x4

**JJ**  
0440575 – Door  
window gasket kit (2 pcs.)  
x1

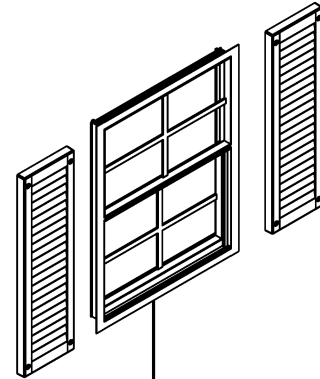


**MM**  
0510536 – Door  
edge strip  
x2

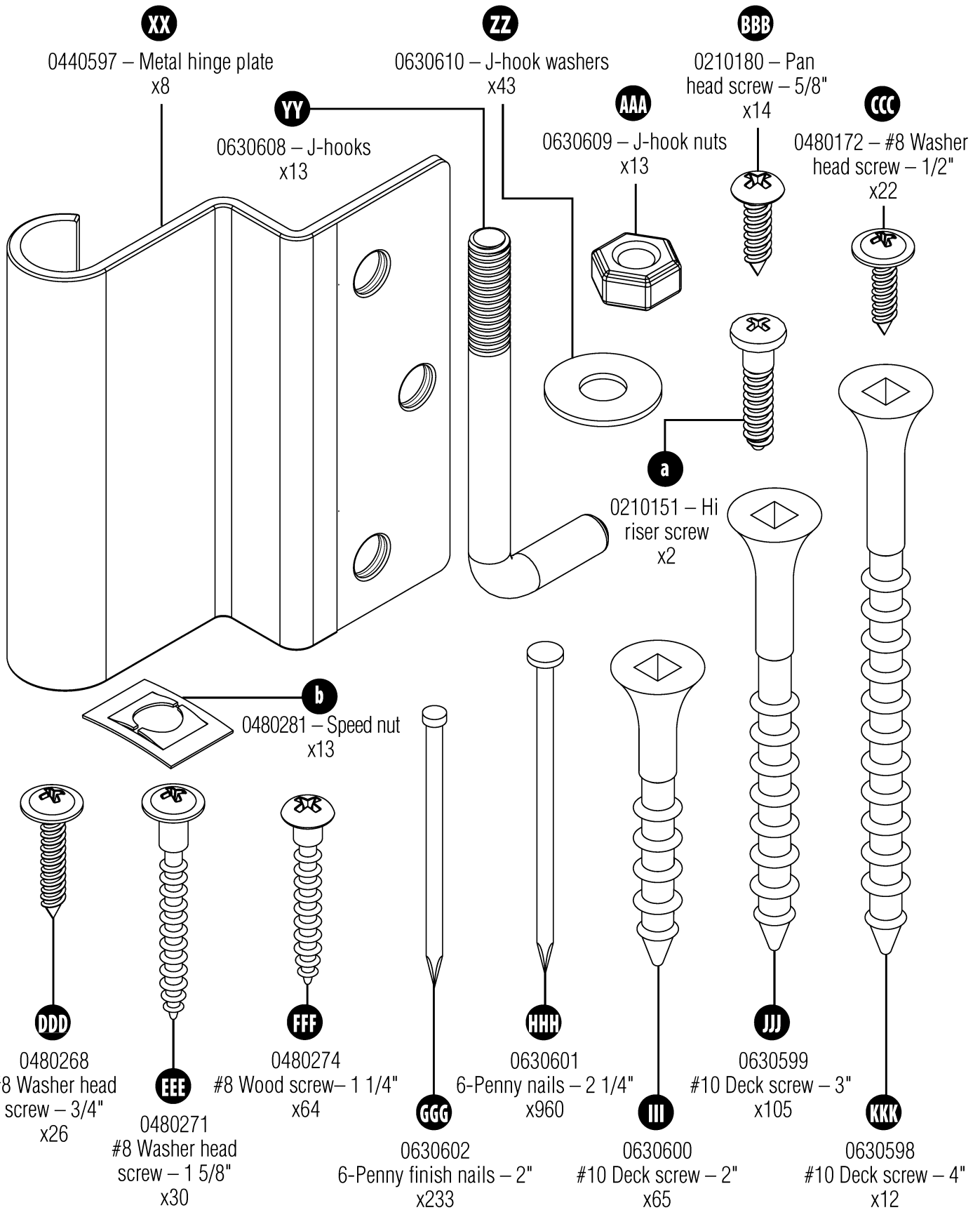
**V**  
0B00046C2 – Right  
door  
x1

**HH**  
0440572 – Door  
window kit (2 pcs.)  
x1

**KK**  
0510600 – Window  
x2



# Hardware



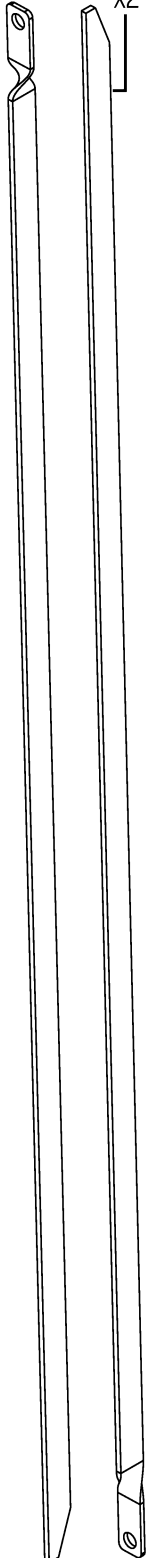
Shown Actual Size

# Door Handle

## 0440565 – Door Handle Rod Kit

**LLL**

051058 - Rod  
x2



## 0440591 – Door Handle Kit

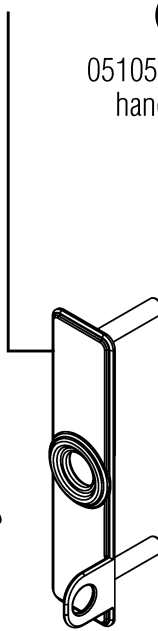
**NNN**

0280384 - D-ring  
slide bolt  
x1



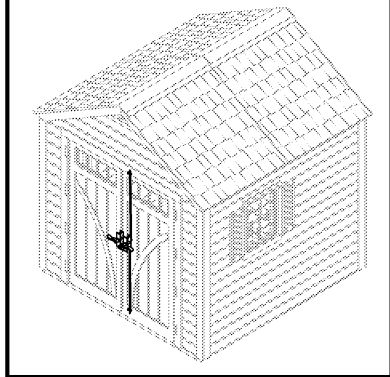
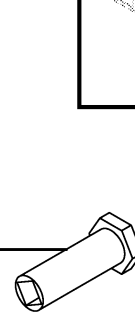
**000**

0510581 - Left handle  
plate  
x1



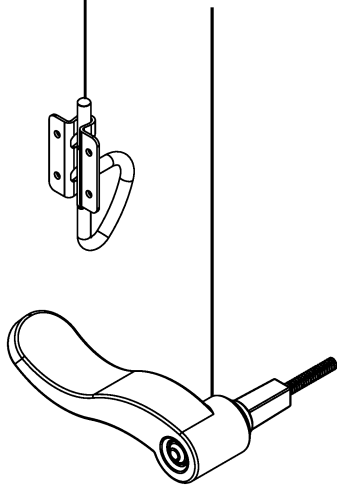
**QQQ**

0510582 -  
Handle stop  
x1



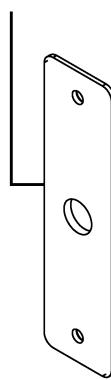
**MMM**

0510576 - Door  
handle  
x2



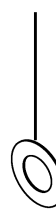
**PPP**

0510579 - Inside  
handle plate  
x2



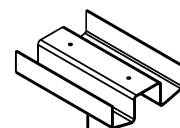
**RRR**

0230046 –  
Actuator washer  
x1



**SSS**

0510577 - Clip  
x2

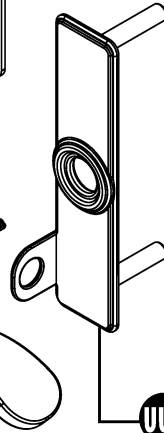


**TTT**

0510580 -  
Header latch plate  
x1

**UUU**

0510580 -  
Right handle plate  
x1

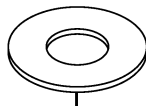


**VVV**

0510583 -  
Handle actuator  
x1

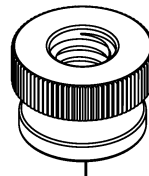


## Hardware



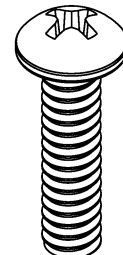
**WWW**

0230050 – Washer  
x4



**XXX**

0220035 – Thumb nut  
x4



**YYV**

0210171 – .25 - 20 x .75"  
Machine screw  
x4

Shown Actual Size

# Site Preparation and Platform Construction

(Materials NOT supplied with Shed Kit)

**Note:** *Site preparation is required for this shed. Placing the shed on a constructed foundation is highly recommended. Without a constructed foundation, settling will probably occur, causing distortion and damage to the shed. Suncoast is not responsible for replacing parts damaged or property lost due to incorrect assembly.*

**Note:** *Complete the site preparation and foundation construction before unpacking parts and beginning assembly.*

Complete the site preparation and platform construction before unpacking parts.

## To prepare your shed site, follow the below steps:

- 1) Consult your local authorities for building codes and covenants before beginning foundation or erecting shed.
- 2) Before any digging, check with local utilities to determine location of buried cables, pipes, etc.
- 3) Decide which type of foundation you want:
  - Concrete slab, 4" thick (Recommended)

or

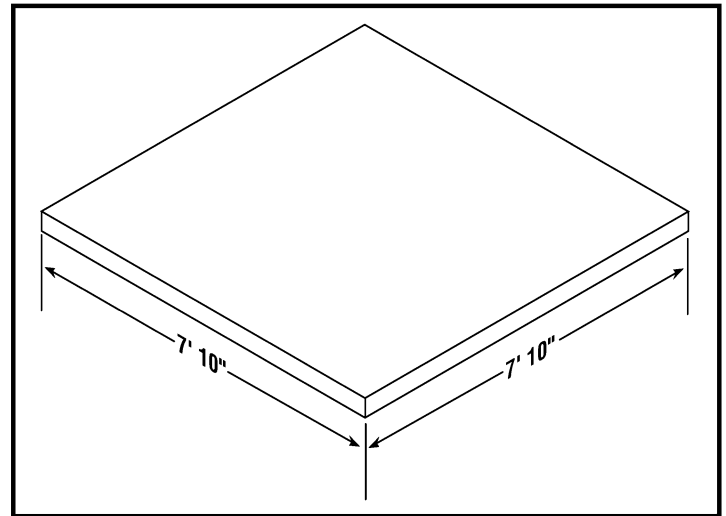
  - Wood platform (Recommended)  
Use exterior grade wood. The wood platform should be set on pier blocks or footing. Consult your local retailer for help to determine the best anchoring method for your particular installation. The provided plans are sized for the minimum number of cuts to lumber and plywood.
  - Without constructed foundation  
See how to anchor assembled base to ground on page 14.
- 4) Prepare the building site:
  - The ground should slope away from the foundation area to provide drainage.
  - The foundation surface must be flat and level.
  - A vapor barrier should be provided to prevent excessive condensation in the shed.
  - Follow local building codes for a proper vapor barrier.
- 5) Anchoring the shed to the foundation:
  - Consult your local retailer for help to determine the best anchoring method for your particular installation.
  - To secure the shed to a concrete pad, use masonry fasteners available at your local retailer.
  - To secure the shed to a wood platform, use 1/4" X 2" lag screws with washers. See diagram on page 14 for anchoring locations.

# Site Preparation and Platform Construction (continued)

(Materials NOT supplied with Shed Kit)

## Anchoring floor panel to concrete slab

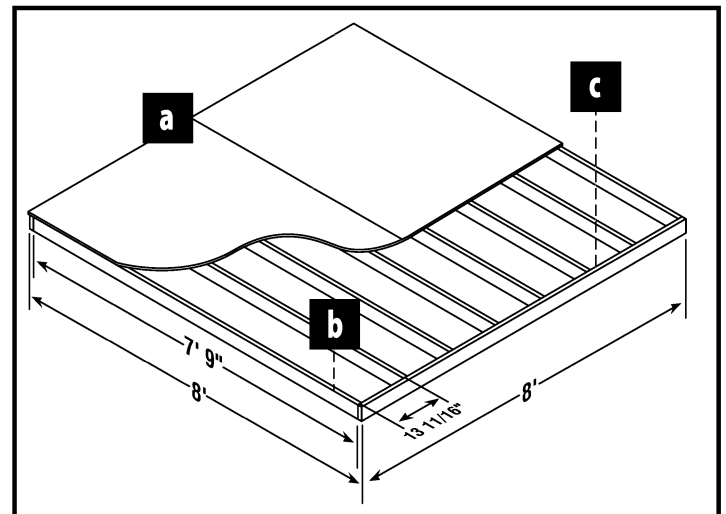
- Secure shed to concrete pad using masonry fasteners.
- Dimensions allow for approximately 1" extra on each side.



## Anchoring floor panel to wood platform

- Secure shed to wood platform using 1/4" x 2" lag screws.

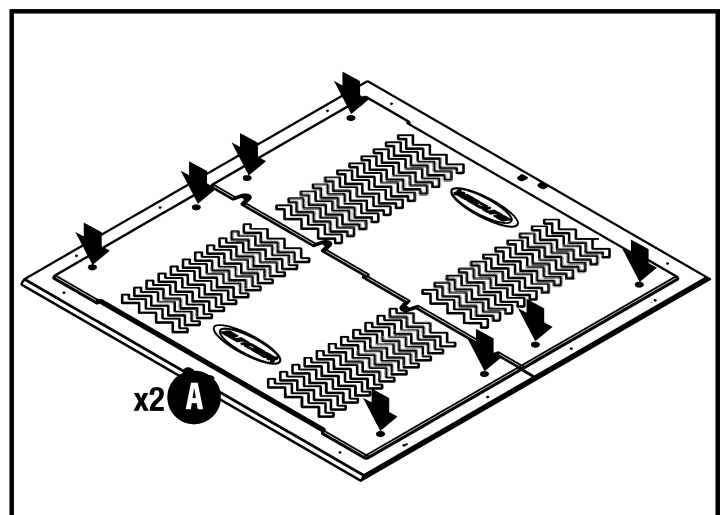
Wood Platform Materials List		
Item	Qty	Size
a	2	4' x 8' x 3/4" plywood
b	2	2" x 6" x 8"
c	8	2" x 6" x 7' 9"



## Anchoring floor panel to ground

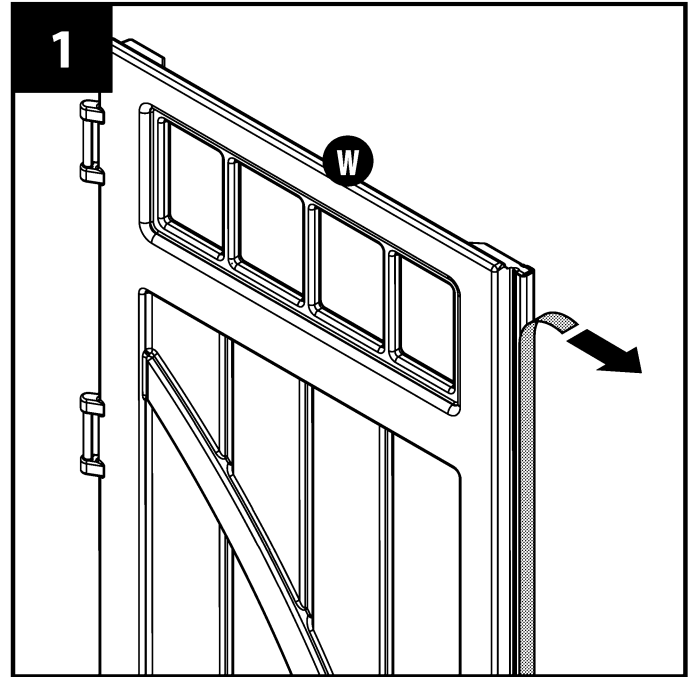
- Secure shed to ground using 12" nails (see below).

If you choose not to construct a foundation, the assembled shed base should be secured to the ground after site preparation is complete. Drill holes through the provided recess areas and insert 12" nails at an angle through the holes in the base and into the ground. 12" nails are available at home centers and hardware stores.

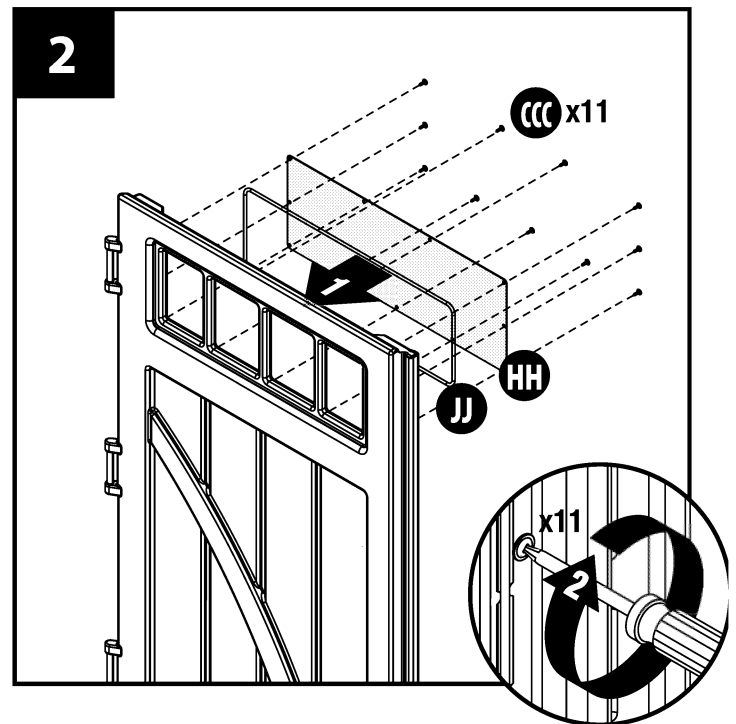


# Door Pre-Assembly *Open Box A for materials needed in this section.*

Peel plastic film off of door opening edge of both doors (W) (V).

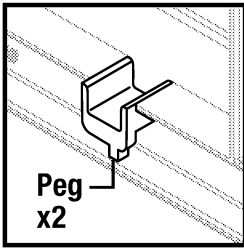


Peel film from both sides of door window (HH). Stand left door (W) vertically. With at least two people (one person on each side of door), layer into door channel first the door window gasket (JJ), then the door window (HH). Through the back of the door, secure layers with (11) #8 x 1/2" washer head screws (CCC) (start with four corner screws and then finish with remaining screws). **DO NOT** over tighten screws. Repeat on right door (V).

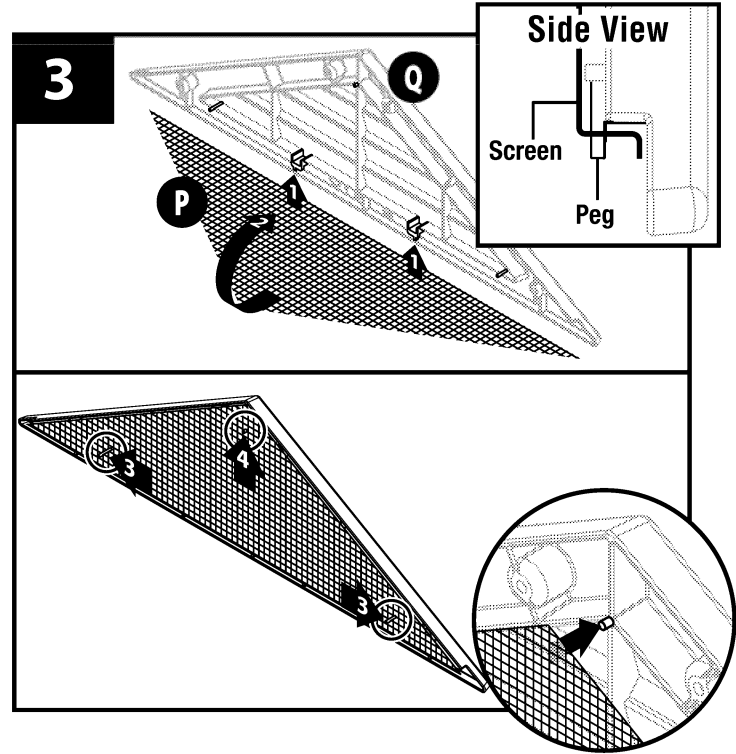
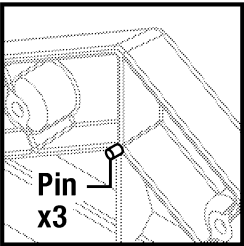


# Roof Vent Pre-Assembly *Open Box A for materials needed in this section.*

Line up bottom of screen (P) with bottom of vent (Q).  
Hook screen onto 2 lower pegs.



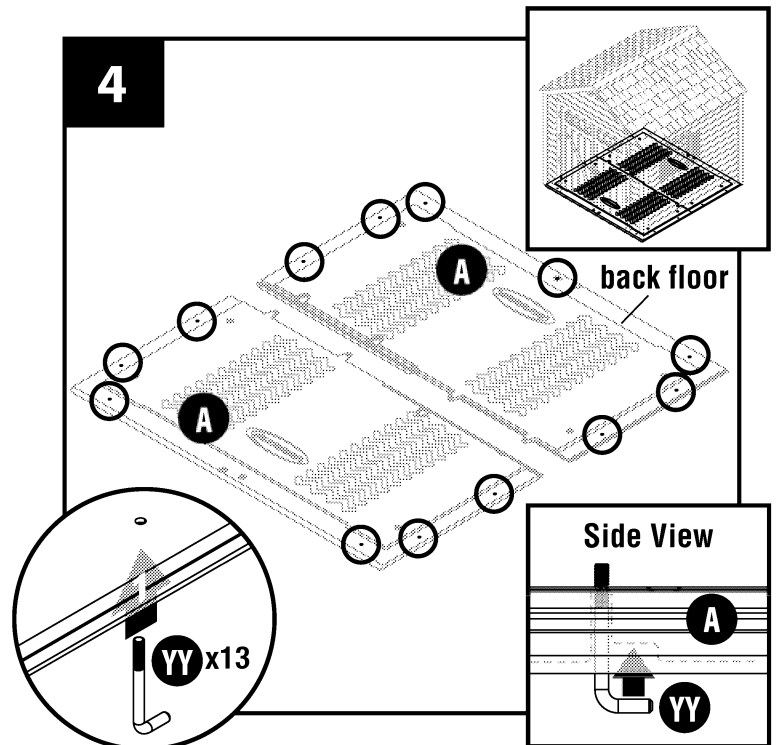
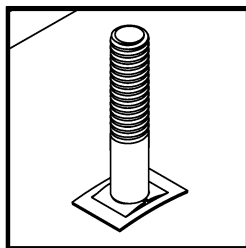
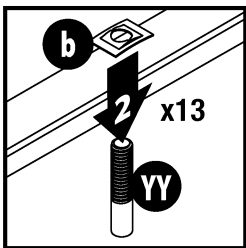
Pull screen (P) onto 2 pins in corners and stretch screen up over top pin.



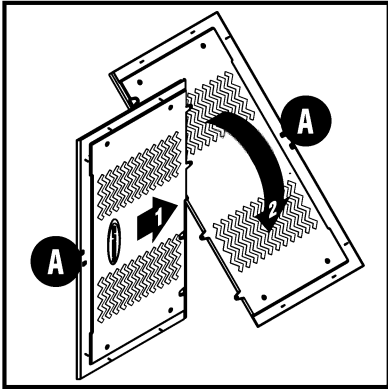
# Floor Assembly *Open Box A for materials needed in this section.*

Attach (13) J-hooks (YY) through the bottom of the floor panels (A) at the locations shown. J-hooks (YY) are inserted through holes and are snapped in, or tapped into place with a hammer, to engage and secure.

Press a speed nut (b) over the threaded portion of the J-hooks (YY) until they bottom out against the floor panel (A).

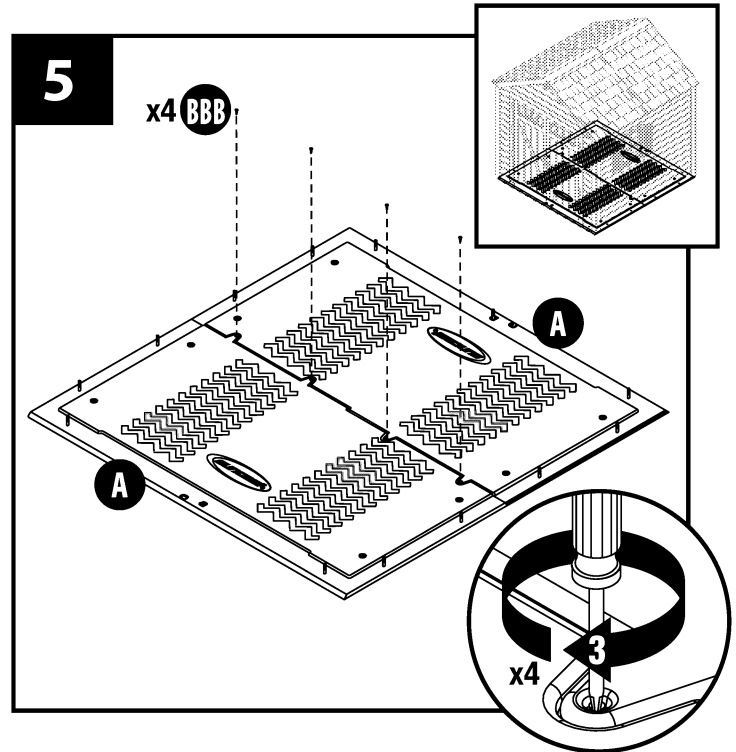


The floor panels (A) must be brought together as shown below.



Fasten the two floor panels (A) together to complete floor assembly using (4) 5/8" pan head screws (BBB).

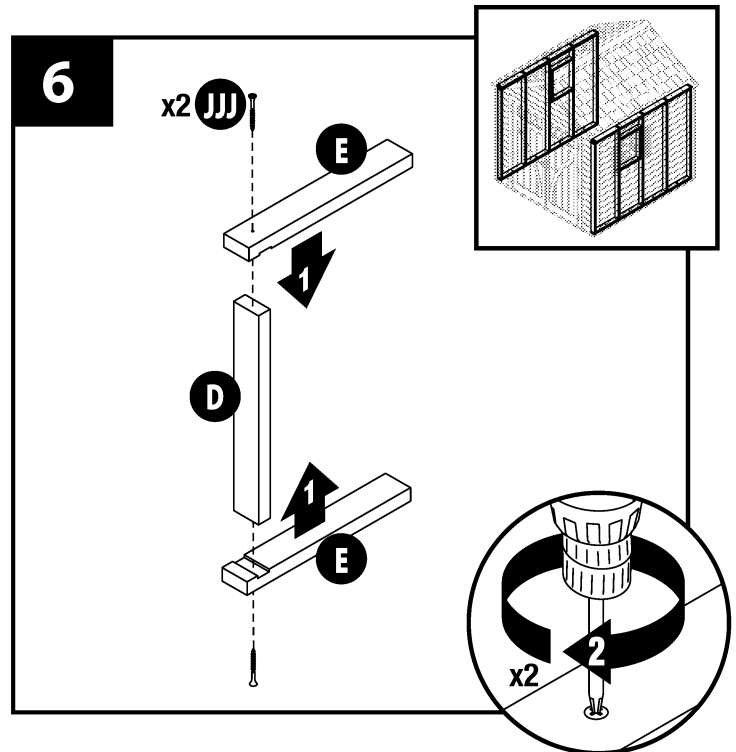
The floor should be placed in its final position on a prepared surface.



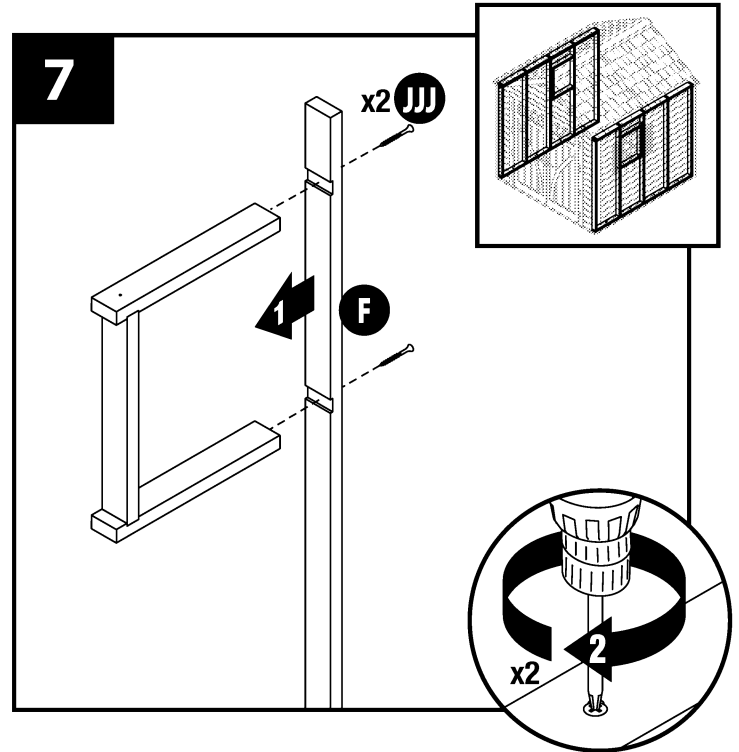
## Side Wall Framing *Open Boxes 1 & 2 for materials needed in this section.*

Framing is started with the assembly of the shed's side walls. Framing should take place on a flat surface in order to keep the components properly aligned.

Assemble this window sill and two headers (E) to the window side frame piece (D) using (2) #10 x 3" deck screws (JJJ).

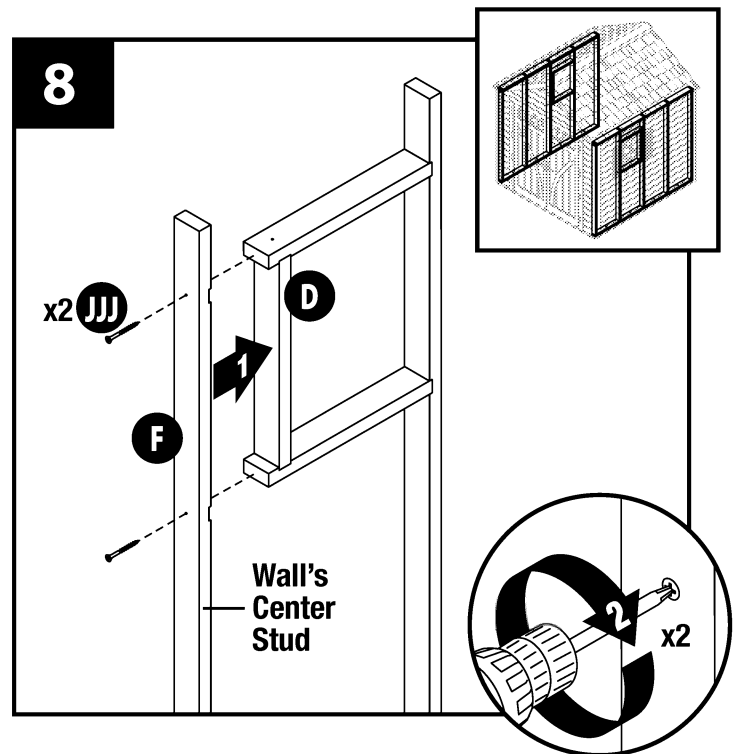


Attach a 72" stud with window detail (F) to the assembly using (2) #10 x 3" deck screws (JJJ).



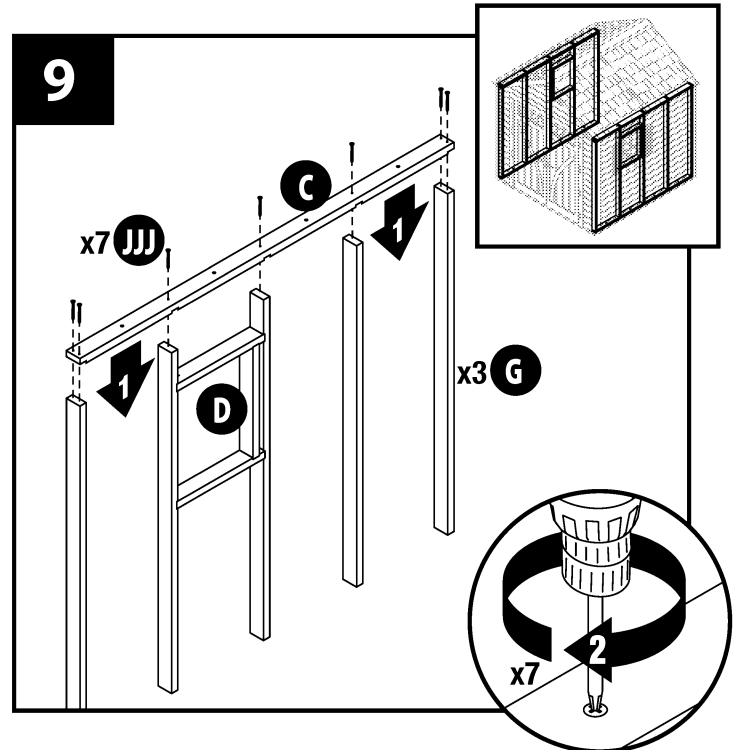
Attach a second 72" stud with window detail (F) to the opposite side of the window opening using (2) #10 x 3" deck screws (JJJ).

One of the 72" studs with window detail (F) next to the window frame side piece (D) must become the side wall's center stud.

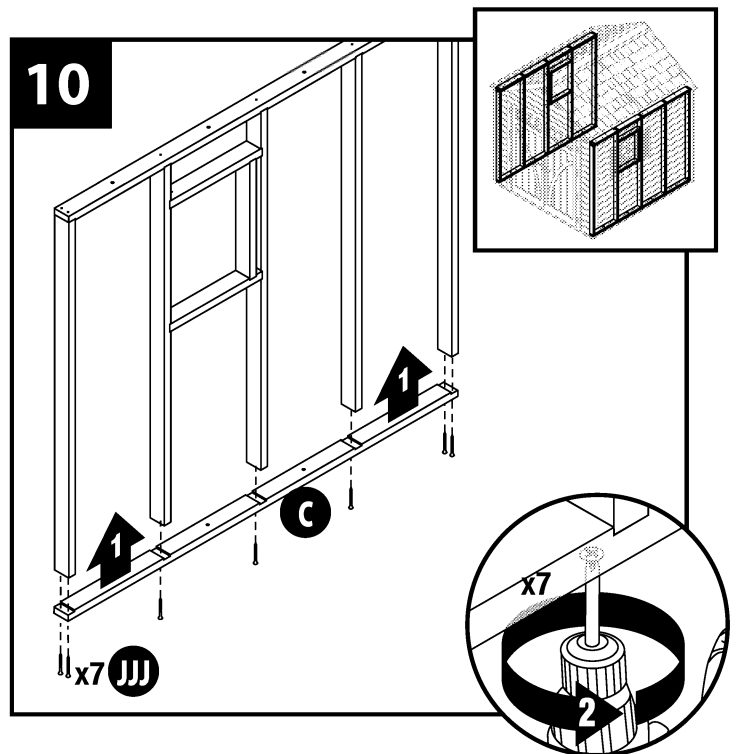


Attach the top/bottom plate (C) above the window opening and add an additional 72" stud (G) using (1) #10 x 3" deck screw (JJJ) at the top of the next notched stud location. Attach two additional 72" studs, using (2) #10 x 3" deck screws (JJJ) each for the two end studs.

Window frame side piece (D) must be positioned near the center of the wall.



To finish the basic stud wall, attach the top/bottom plate (C) using (7) #10 x 3" screws (JJJ).

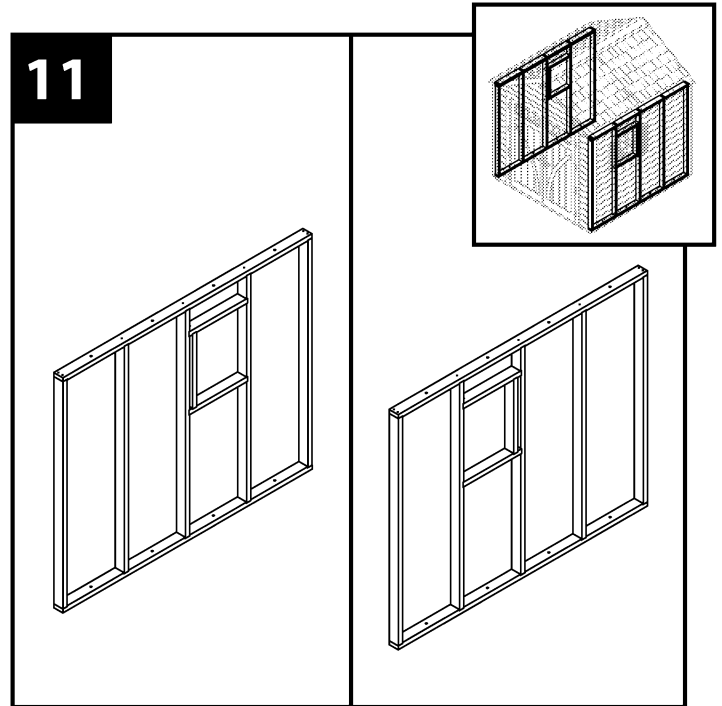


Decide on one of two positions for the window on a particular side wall. Until the soffit and rafter support (B) is added, the framed wall can be flipped over to bias the window toward the front or the back of the shed.

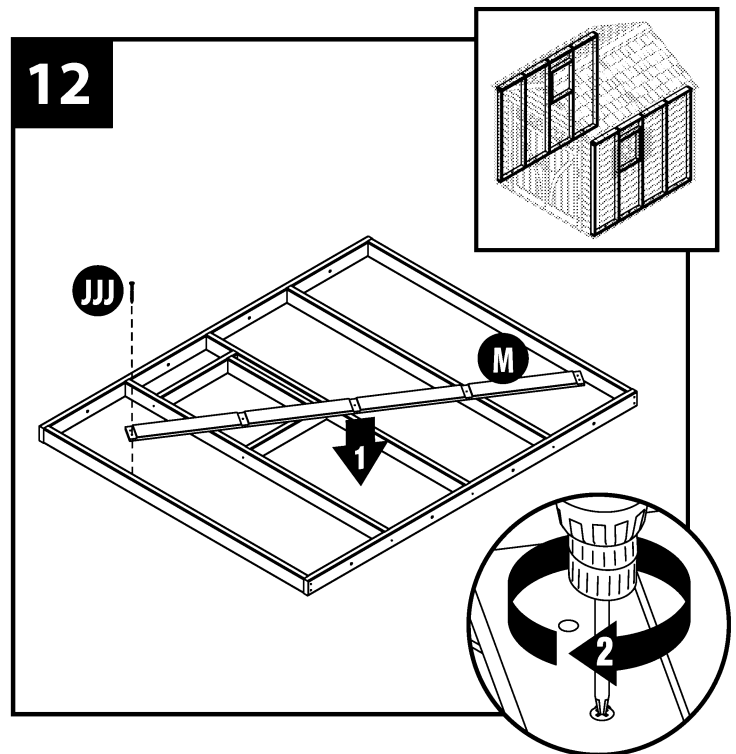
The side wall illustration on the **left** would produce a window nearer the back of the shed; if used as a right side wall.

The side wall illustration on the **right** would produce a window nearer front of the shed; if used as a right side wall.

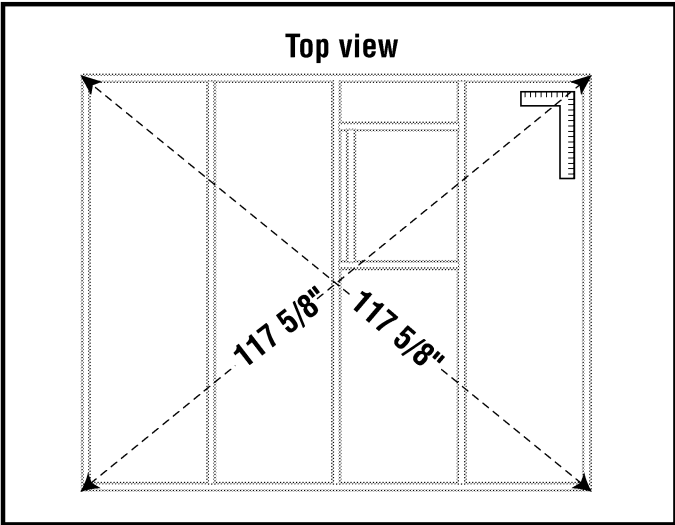
**The frame/window orientation can only be flipped prior to adding the soffit.**



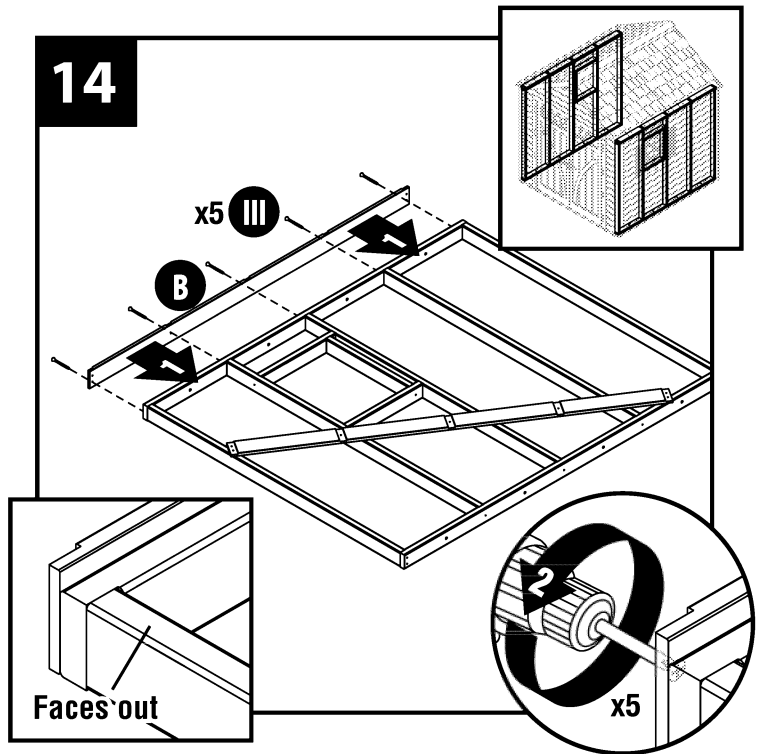
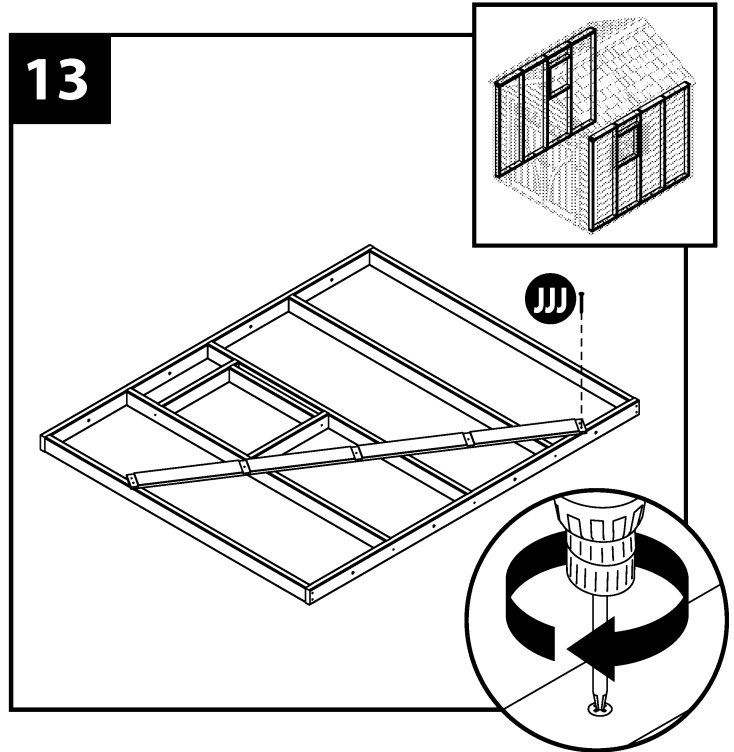
Lay frame on a flat surface. Square up the framed side wall using a 84" top/bottom plate (M) as a temporary brace. Tack one end of the board to an end stud, using a #10 x 3" deck screw (JJJ). The other end of the board will be tacked into the side wall's bottom plate once the wall has been squared up.



Measure from one upper corner to the opposite bottom corner. The measurement should be close to 117 5/8". The exact measurement is not as important as having the same distance when you measure the opposite corners. Tack the temporary brace in place once the diagonal measurements are equal. The brace should remain in place until it interferes with adding more siding. The squareness of the frame should also be checked with a carpenters square.



The soffit in this view would put the window toward the front if used on the RIGHT and toward the back of the shed if used for the LEFT wall. The 91" soffit and rafter support (B) is screwed down with the (5) #10 x 2" deck screws (III).



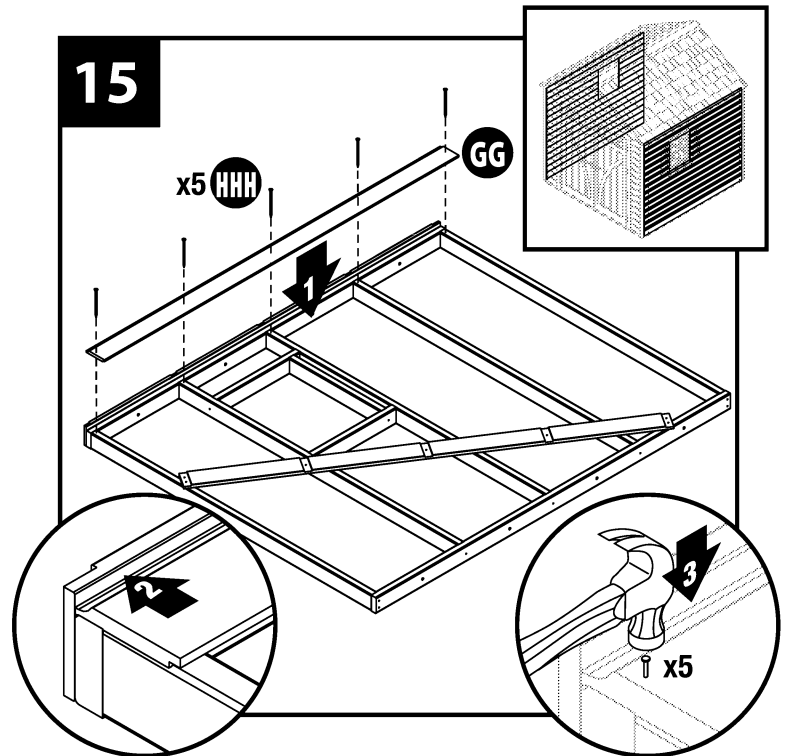
# Side Wall Siding Installation

The 1st siding piece (GG) is fitted up against the overhanging soffit board (B).

The 1st siding piece (GG) has 3/4" of material removed off of its top edge making this piece narrower than the others. **This piece must be used first to start the pattern of siding correctly!** The part is nailed with its top edge pressed up under the overhang created by the Soffit board.

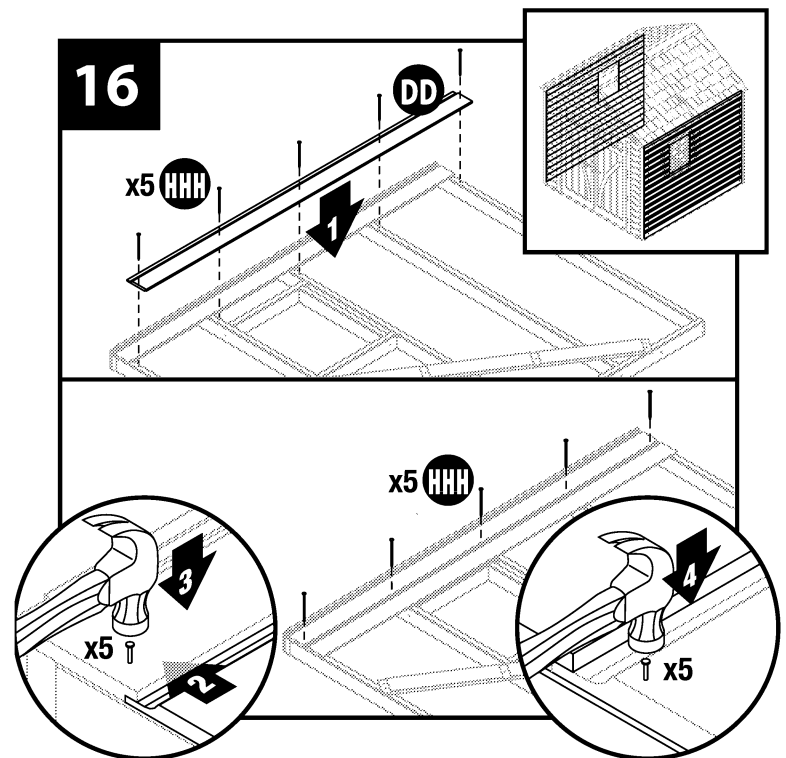
(5) 2 1/4" 6-Penny nails (HHH) should be used to tack the upper edge only into the top of each stud. (You must be careful not to damage the siding with hammer blows. A power nailer or brad gun works well for this task).

**The bottom edge of 1st siding piece (GG) should NOT be nailed until the next row of siding is fitted.**



The first full piece of 91" siding (DD) is fitted below the 1st siding piece (GG). The top edge of a new piece fits under the bottom edge of the piece above it.

Once the second strip of siding is firmly tapped into place below the first piece, a second row of (5) 2 1/4" 6-Penny nails (HHH) can be added to the top piece and a single row to the top edge of the second strip. Care should be taken to nail through the siding and into a 72" stud. Remember, the bottom edge of this second piece isn't nailed until a third row of siding is added.

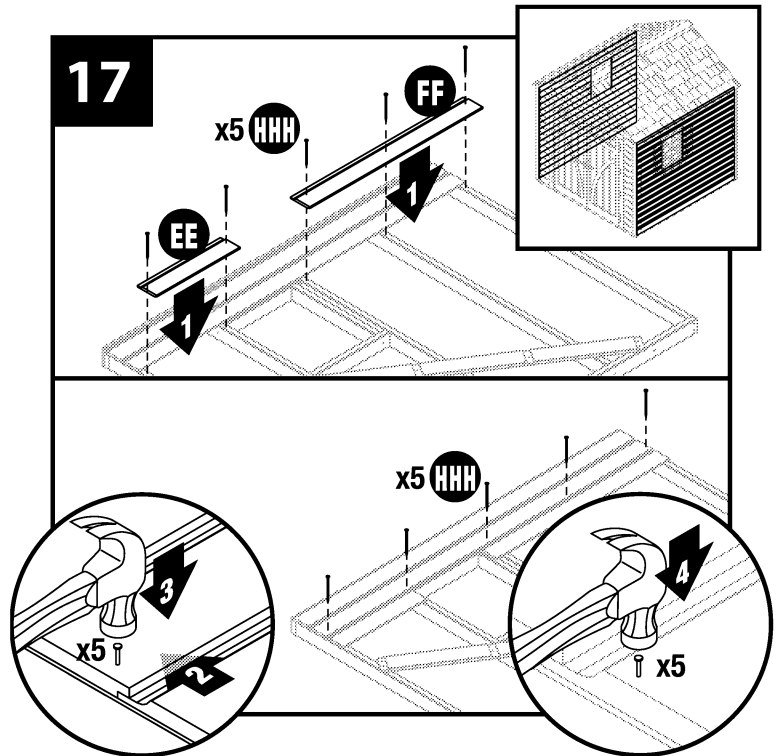


Siding around the windows is accomplished in a similar fashion. The 23 1/4" window siding (EE) will fit to one side and the 48 1/4" window siding (FF) will fit to the other side. Add these siding strips in the same manner as the first full length strip, tapping them up underneath the strip above and adding a second row of nails (HHH) to the top edge of the second strip and nailing only the top edges first.

The window siding pieces (EE) and (FF) should be lined up with the window opening. Siding pieces can be uneven where they attach to the studs at either end of the wall.

**Note:** The window will mount to the surface of the siding, not directly on the 2" x 4" framing.

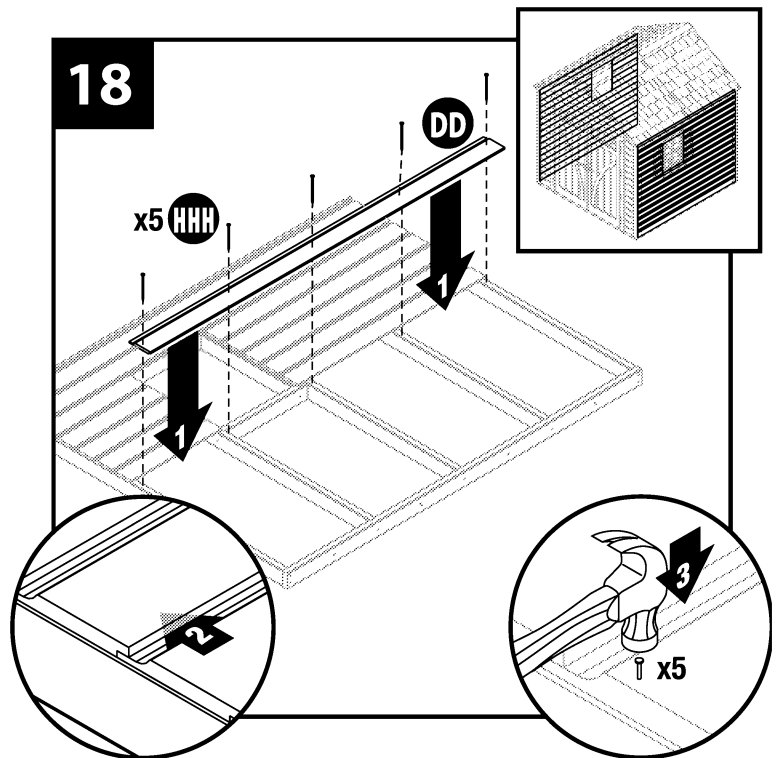
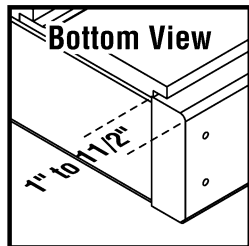
**Note:** The temporary brace can be removed once the siding reaches that level.



The rest of the 91" siding (DD) pieces should be added in the same manner until the entire side is covered, except for the last 1" to 1 1/2".

**Note:** At this point in the assembly the temporary brace has been removed.

The distance to the bottom will vary, but should fall between 1" to 1 1/2". The assembly will work as long as the siding does not extend past the bottom of the base plate.



**Note:** The window location will be staggered if framed with the window to the same side of the center stud as the first wall. If you prefer both windows closer to the front of the shed, or both closer to the rear of the shed, the second framed Side Wall should have its window location adjusted accordingly. (Flip it over to the correct orientation before adding the soffit and rafter support (B) board).

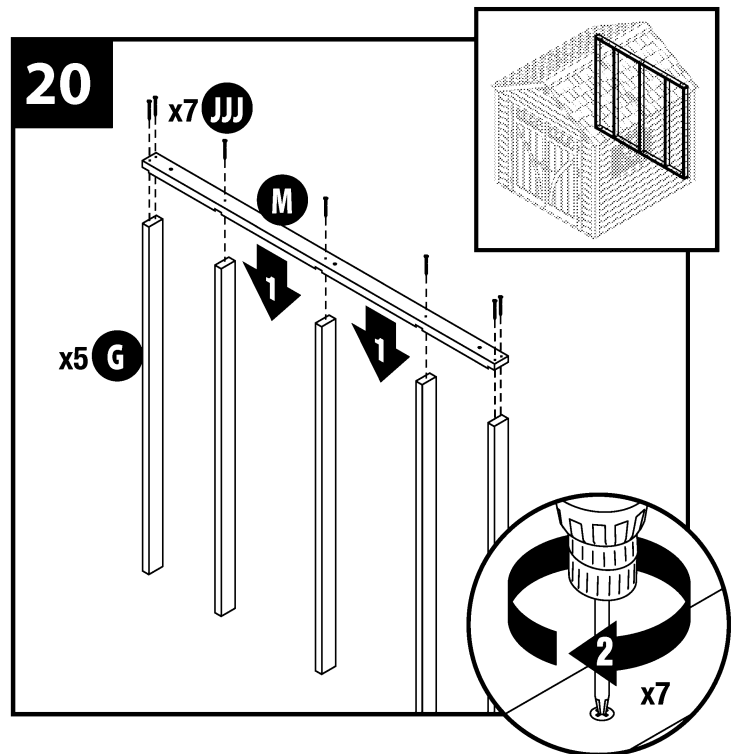
19

Repeat steps 6-18 for the other side wall.

## Back Wall Framing *Open Box 3 for materials needed in this section.*

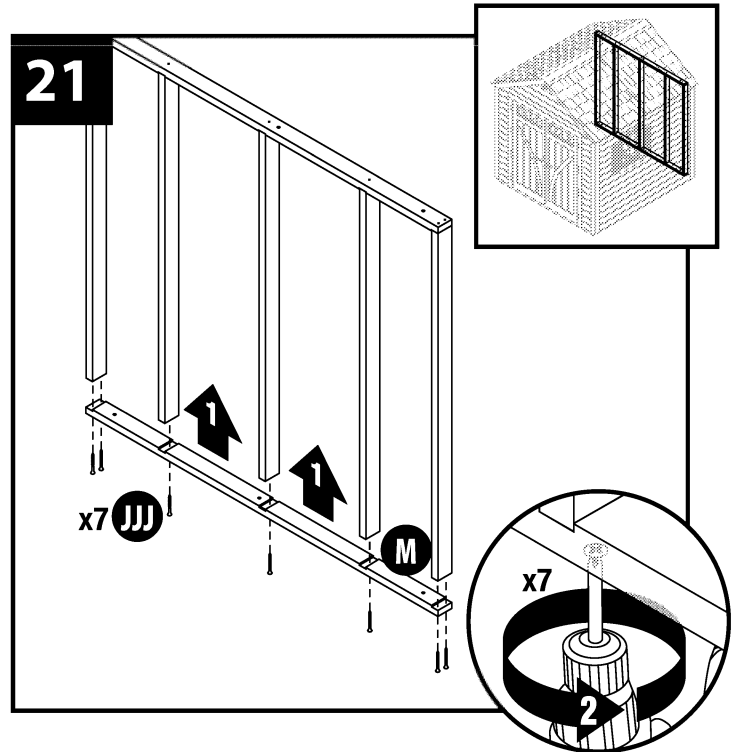
Framing the back wall is similar to framing the side walls but there is no window and the siding is **not** added until the back wall has been erected.

Attach (5) 72" studs (G) to the notched locations on an 84" back wall top and bottom plate (M) using (7) #10 x 3" deck screws (JJJ).



Finish the back wall framing by adding the second 84" back wall top and bottom plate (M) to the opposite ends of the studs using (7) #10 x 3" deck screws (JJJ).

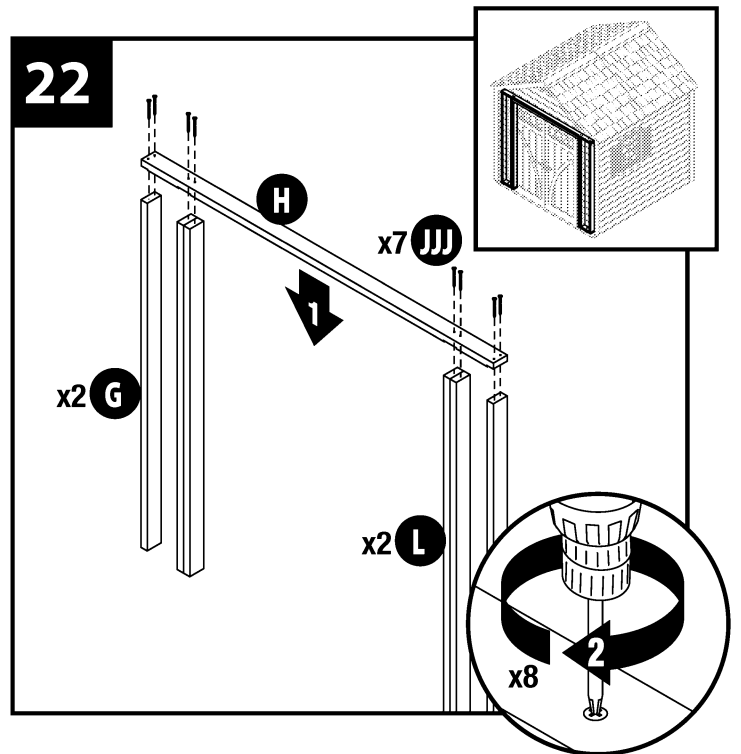
Using the carpenter's square, make sure the back wall is as close to square as possible. Any lean angle will be locked-in once the siding is placed on the back of the shed.



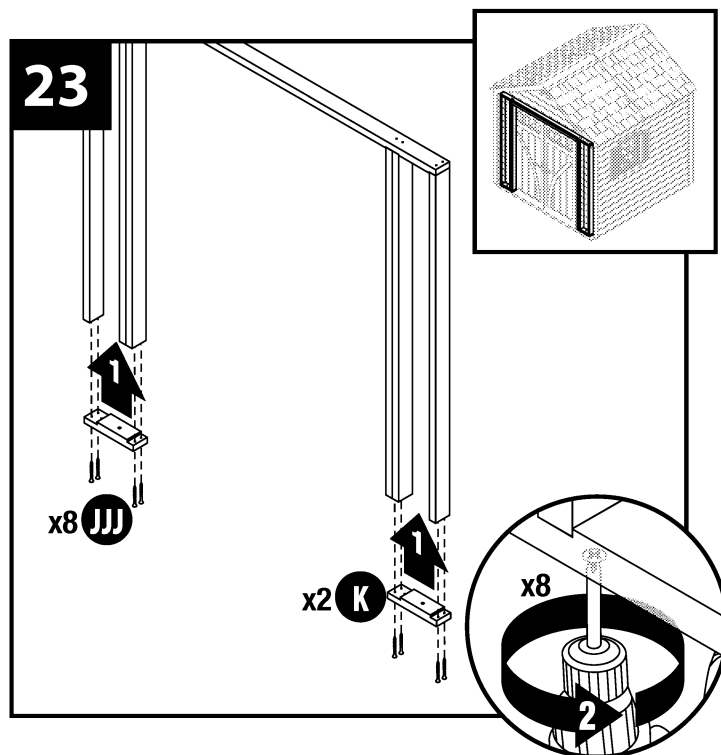
## Front Wall Framing *Open Box 4 for materials needed in this section.*

Framing the front wall is similar to the other walls but there are two short bottom plates instead of one full-width plate.

Start with the 84" front wall top plate (H) and attach the (2) remaining 72" studs (G) to either end using (4) #10 x 3" deck screws (JJJ). Add the (2) front wall doubled studs (L) to either side of the door opening using (4) #10 x 3" deck screws.



Add the (2) front wall bottom plates (K) to the bottom of the assembly, using (8) #10 x 3" deck screws (JJJ).

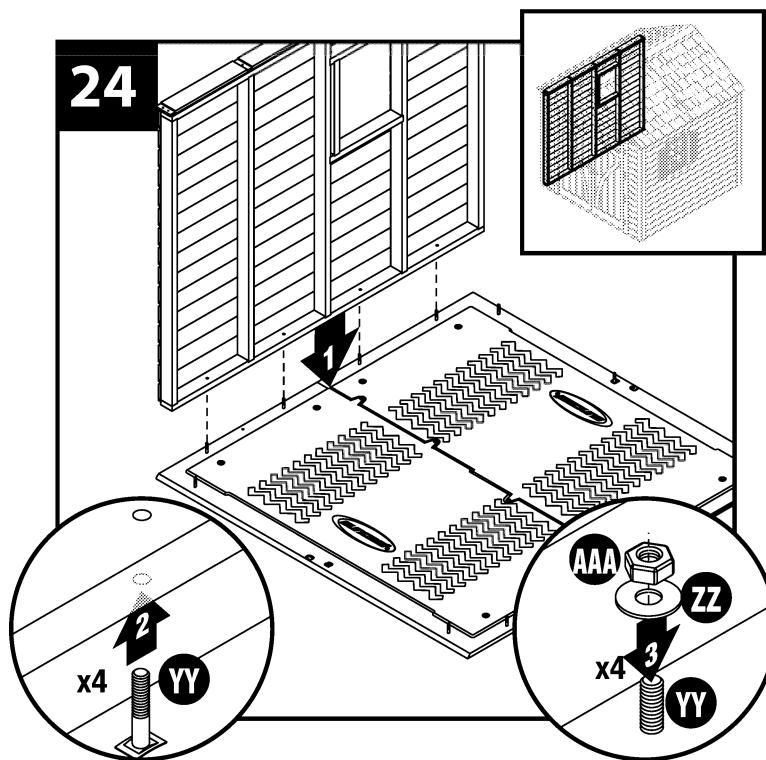


## Side and Rear Wall Installation

Raising the walls and attaching them to the floor sub-assembly will require the help of a second person.

Carefully place one side wall onto the floor making sure that the protruding J-hooks (YY) are coming up through the holes in the bottom plate. Using (4) J-hook washers (ZZ) and (4) J-hook nuts (AAA), secure the side wall to the floor.

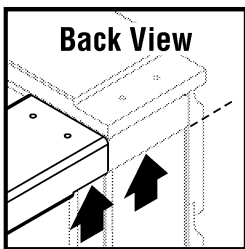
**Note:** This wall must remain supported until the back wall is nailed in place.



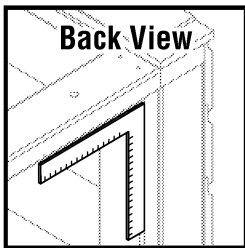
Carefully place the back stud wall onto the floor making sure that the protruding J-hooks (YY) are coming up through the holes in the bottom plate. Using (3) J-hook washers (ZZ) and (3) J-hook nuts (AAA), secure the back wall to the floor.

**Note:** It may be necessary to turn the wall around so that the middle J-hook lines up with the middle hole in the plate.

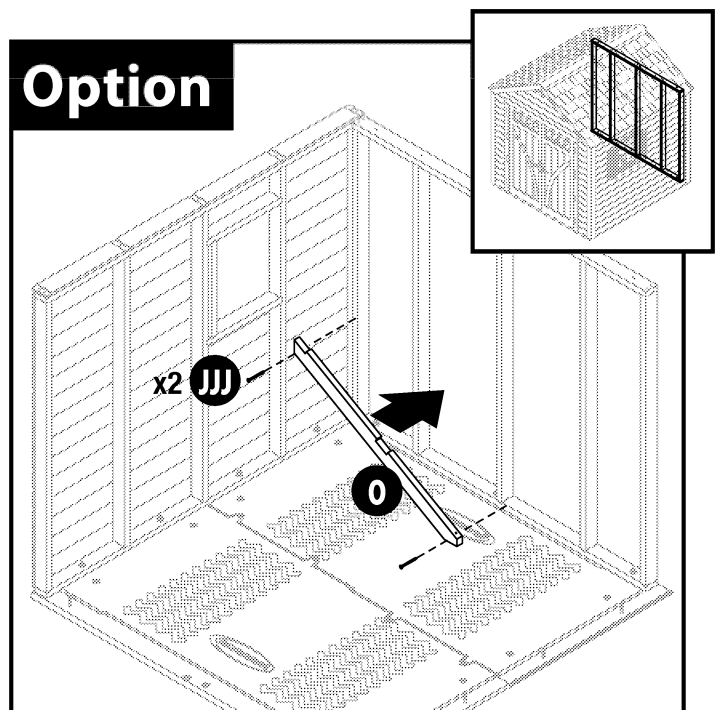
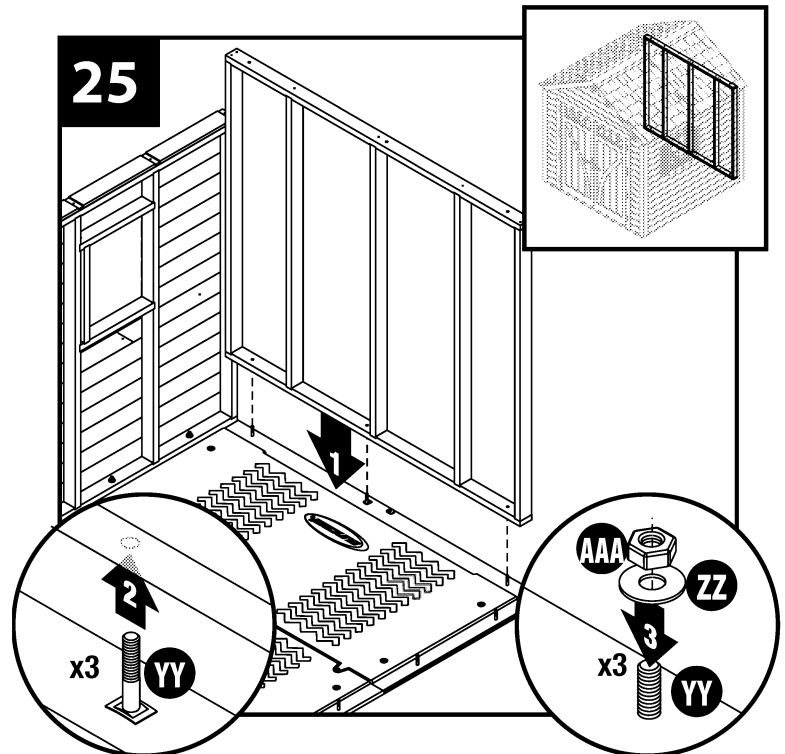
From behind the shed, make sure that the tops of the end studs line up at the same height.



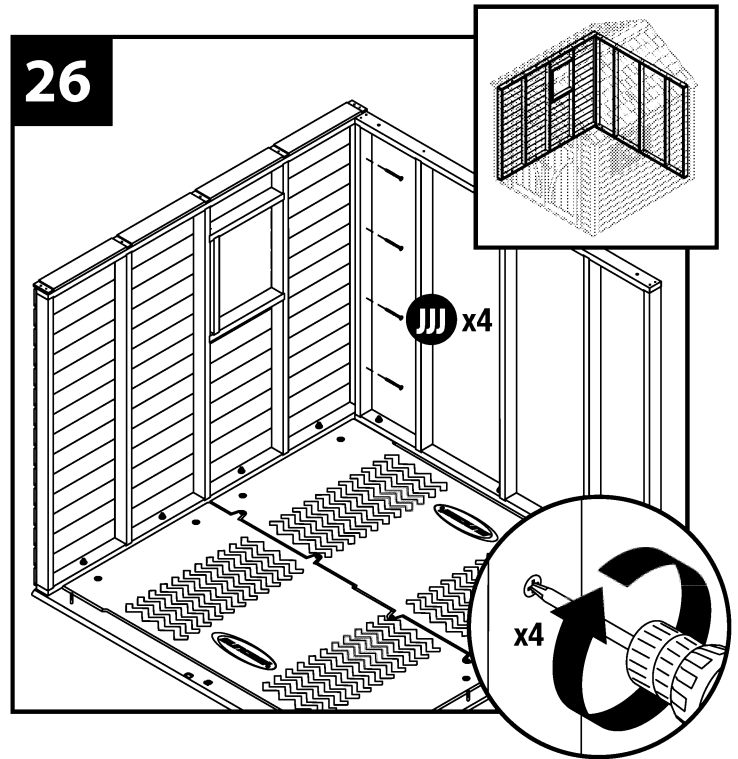
Using a carpenter's square, insure that the back wall's upper corners are both 90°.



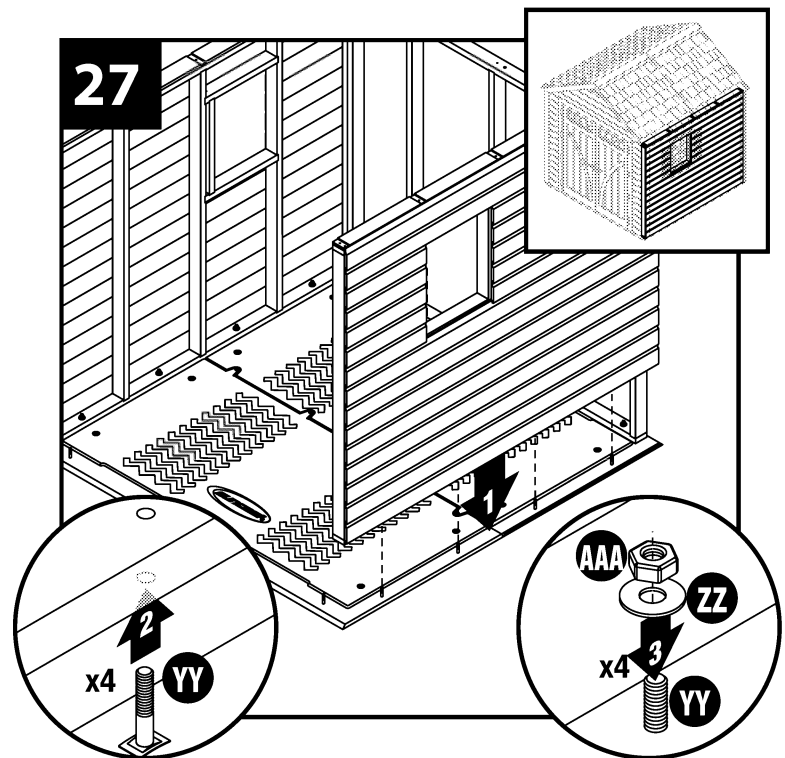
If the back wall is not lining up with the side wall, or the upper corners are not at 90°, a rafter (O) should be used as a brace to temporarily force the back wall frame to remain square until it is attached to the side walls.



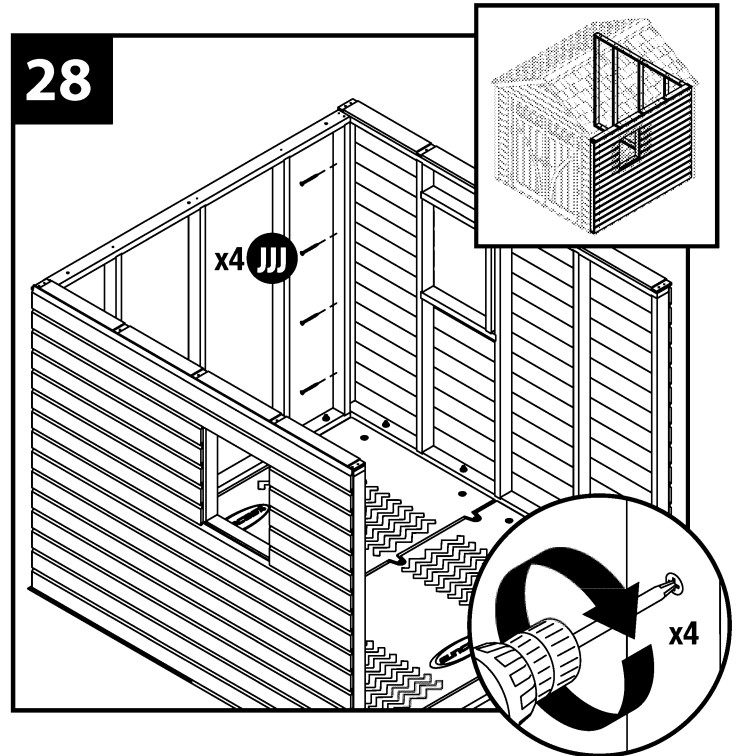
Secure the side wall to the back wall frame using (4) #10 x 3" deck screws (JJJ).



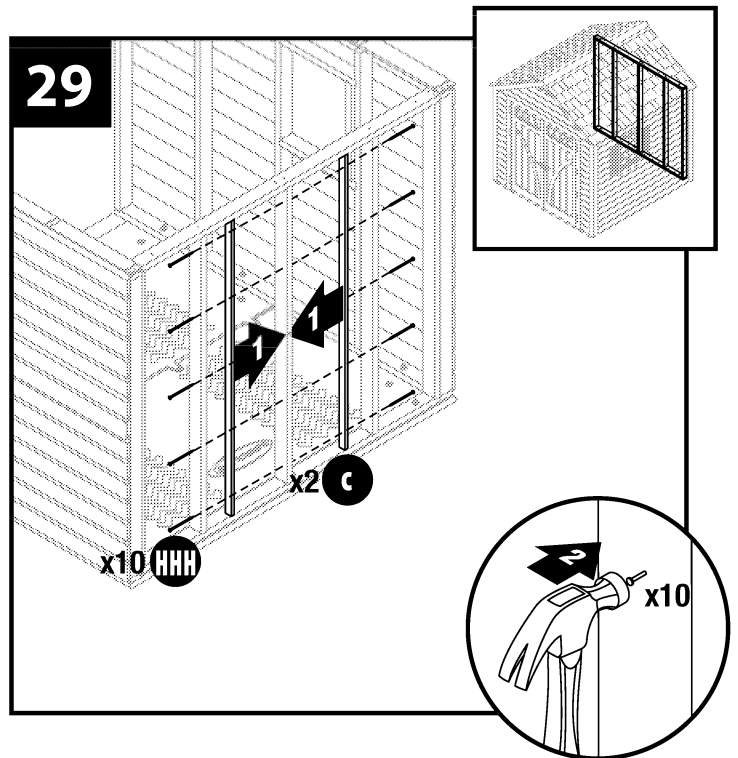
Carefully place the 2nd side wall onto the floor making sure that the protruding J-hooks (YY) are coming up through the holes in the bottom plate. Using (4) J-hook washers (ZZ) and (4) J-hook nuts (AAA), secure the side wall to the floor.



Secure the 2nd side wall to the back wall frame with (4) #10 x 3" deck screws (JJJ).



Add a nailer (c) to either side of the center stud, flush with the outside. Secure with (10) 2 1/4" 6-Penny nails (HHH) 5 per piece.

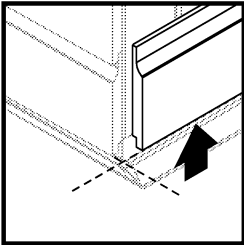


# Rear Wall Siding Installation

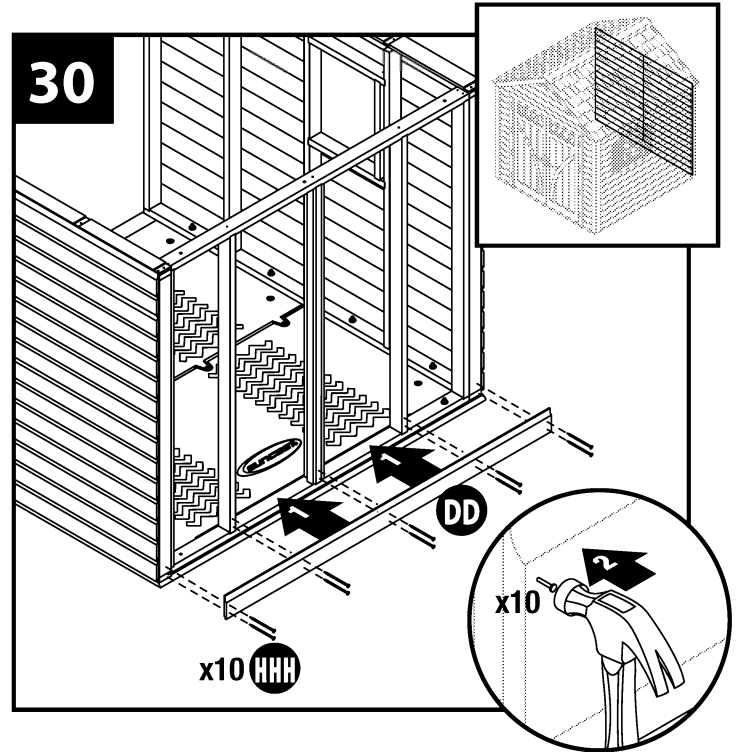
Open **Box 3** for materials needed in this section.

The back wall can now have siding added. The 91" siding (DD) is started with the bottom strip, so that each piece can rest on the one before it. The first siding piece should be secured with (10) 2 1/4" 6-Penny nails (HHH).

It is important to start the siding on the back level with the base plate/floor, and approximately even with the bottom row of siding at either end.



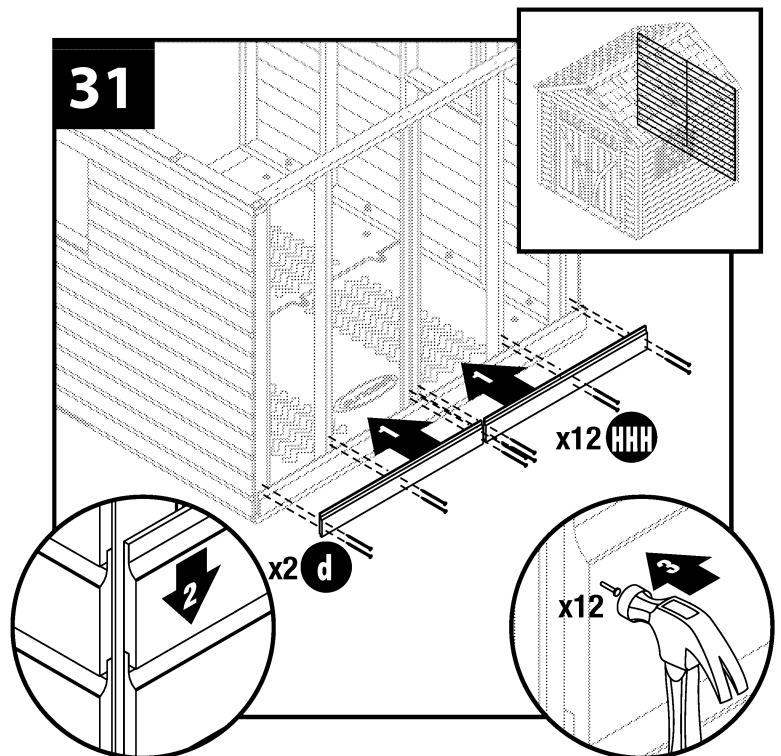
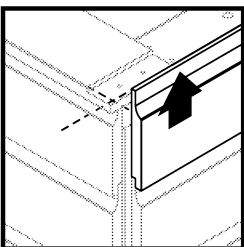
Line up the ends of the back wall's first piece of siding with the siding on the side walls. It is much more important that the first piece be level.



Secure (2) 45 1/2" pieces of siding (d) with (12) 2 1/4" 6-Penny nails (HHH) being sure to nail through the thicker part of the siding and into the 72" studs behind them. The center joint will require (4) nails. Try to keep the siding level to the floor and even with the siding pieces on the side walls at each end. Repeat to install all 45 1/2" pieces.

**Note:** It may be helpful to nail both ends of each 45 1/2" piece, and then attach the center locations.

The top pieces of siding on the back wall should end up roughly even with the top of the soffit board capping off the side walls.

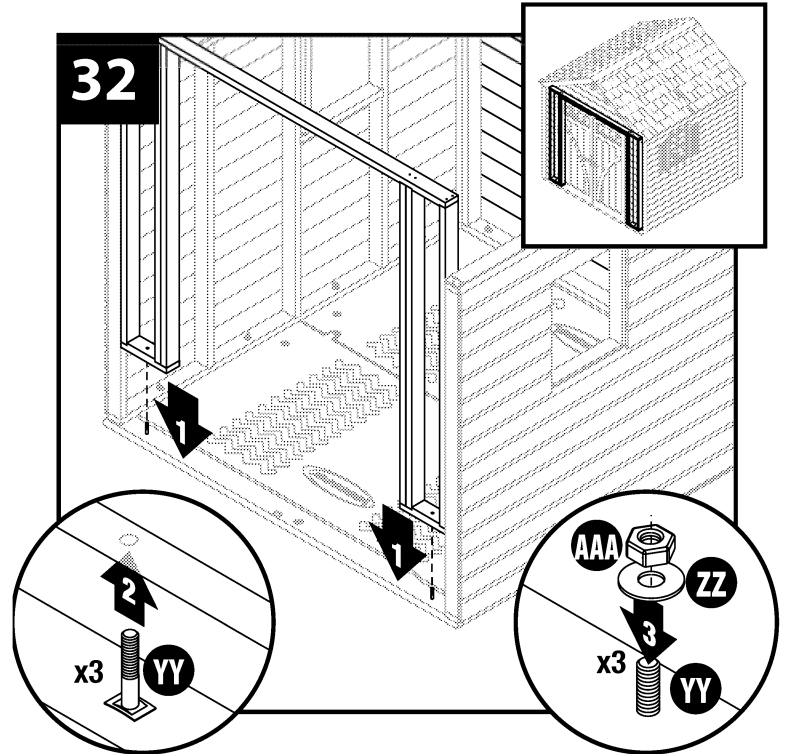
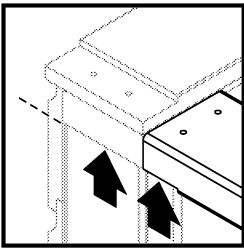


# Front Wall Installation

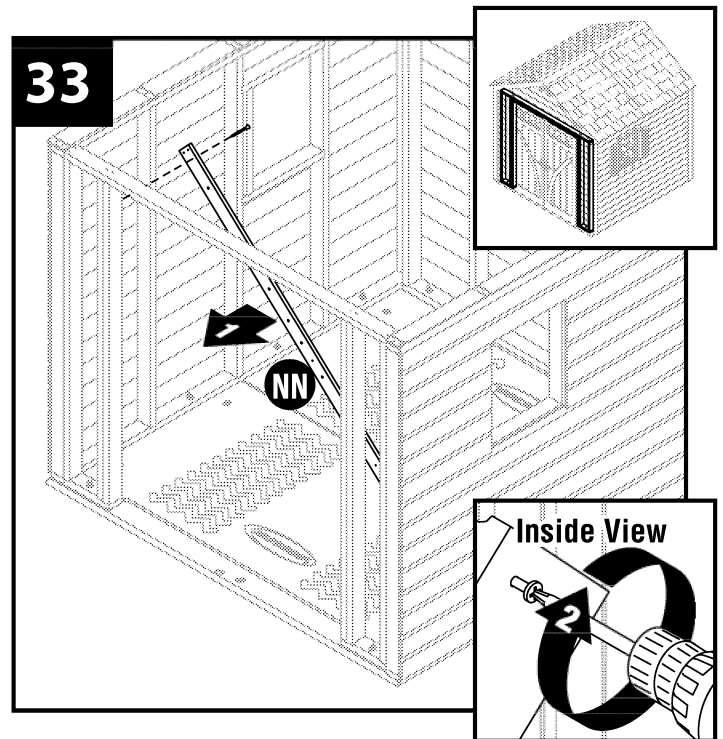
The front wall can be added next. It is extremely important to install the front wall with the door opening square and the sides parallel. Failure to do this will result in poor fit and operation of the shed's doors.

Carefully place the front wall onto the floor making sure that the protruding J-hooks (YY) are coming up through the holes in the bottom plates. Using (2) J-hook washers (ZZ) and (2) J-hook nuts (AAA), secure the front wall to the floor.

Make sure that the tops of the front wall's studs are even with those of the side walls.

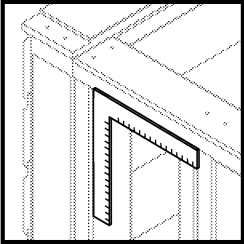


Using a 91"-1" x 4" roof lathe (NN) as a brace, fasten one end of the lathe high on the inside of a doubled stud.

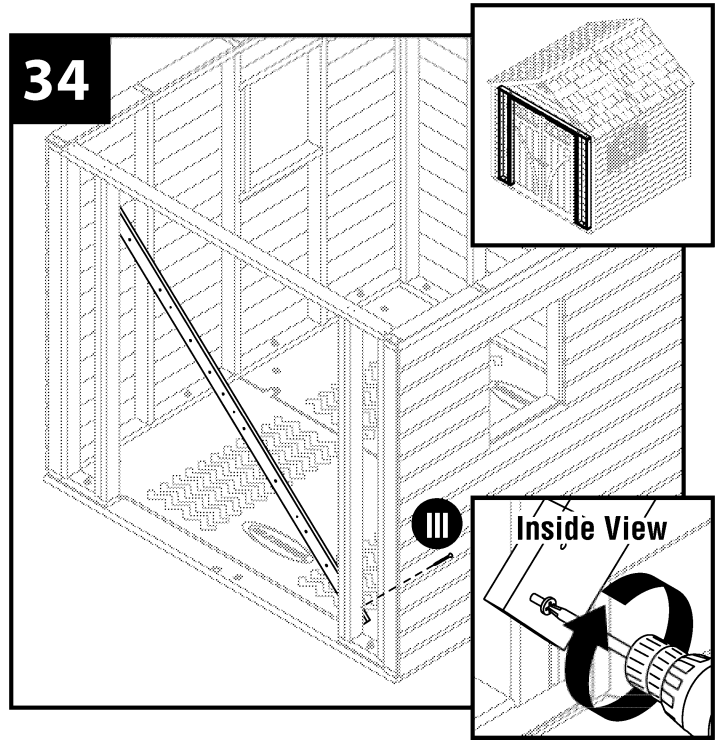


The other end will be tacked into place once the upper corners of the door opening have been checked with a carpenter's square.

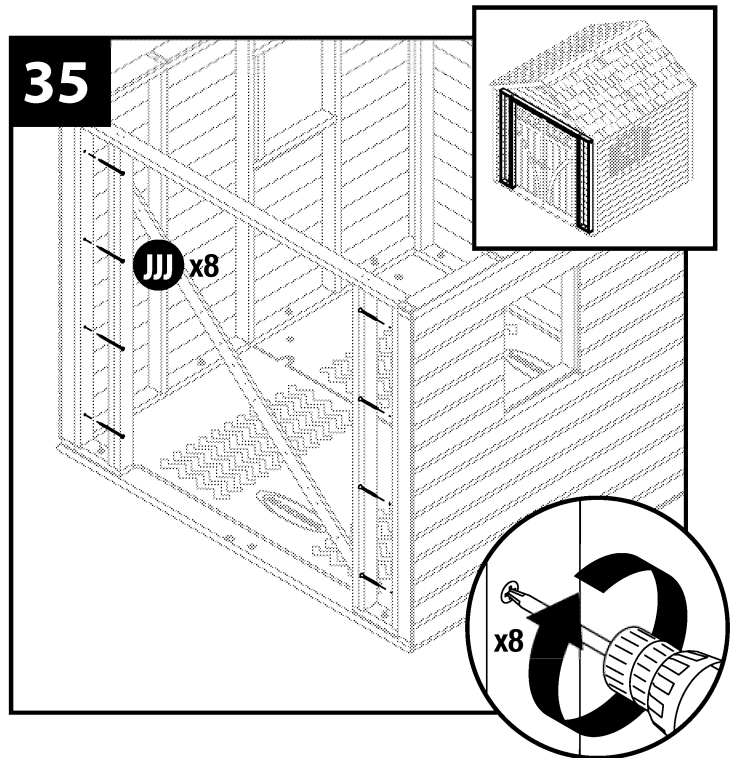
Measure the distance between the top of the door posts and the bottom of the door posts. Adjust the brace if necessary to make sure the posts are parallel.



**Note:** It may be necessary to loosen the front wall's J-bolts (Step 31) while squaring-up the door opening. It is recommended that the door opening remain braced until the front siding has been applied.



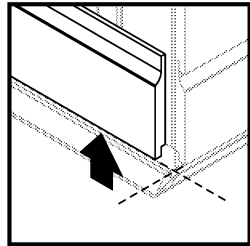
Once you are certain that the door opening is true, the front wall can be fastened to the side wall's end studs using (4) #10 x 3" deck screws per side.



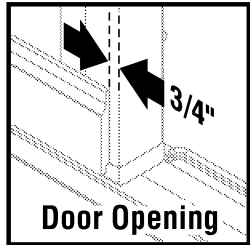
# Front Wall Siding Installation *Open Box 4 for materials needed in this section.*

The 14 1/4" siding front (BB) is started with the bottom piece, so that each piece can rest on the one before it. The first two siding pieces should be secured with (8) 4 per piece 2 1/4" 6-Penny nails (HHH).

The bottom piece of siding on each side of the door should be lined up with the side wall piece.

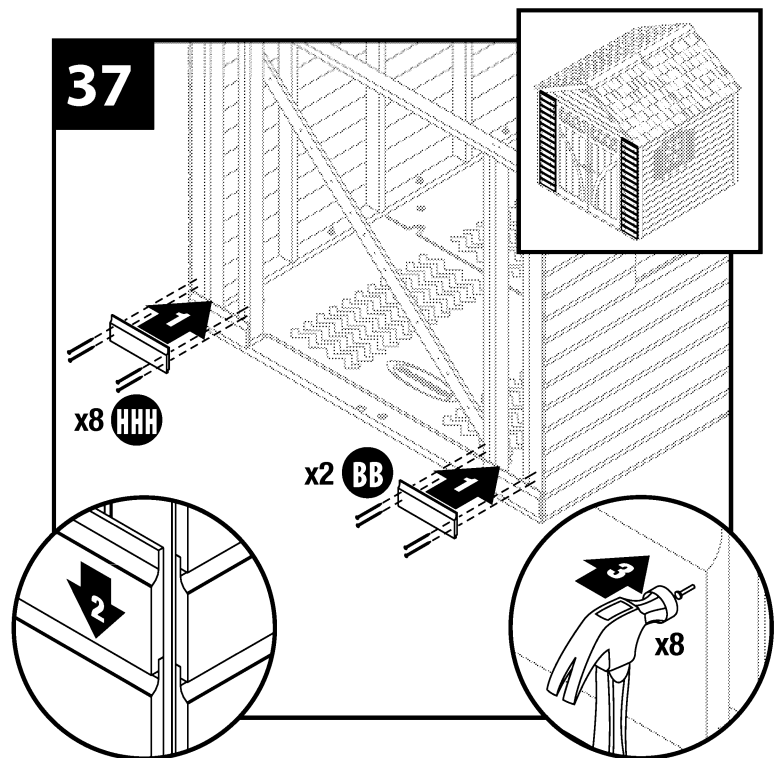
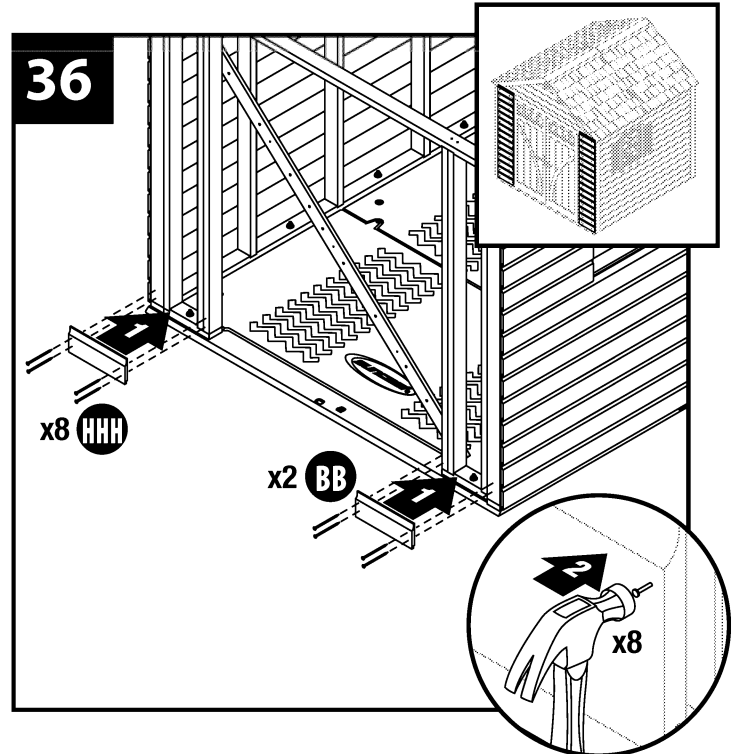
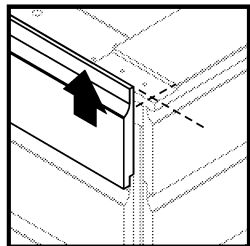


The inside edges should be 3/4" from the door opening to allow room for the door hinges.

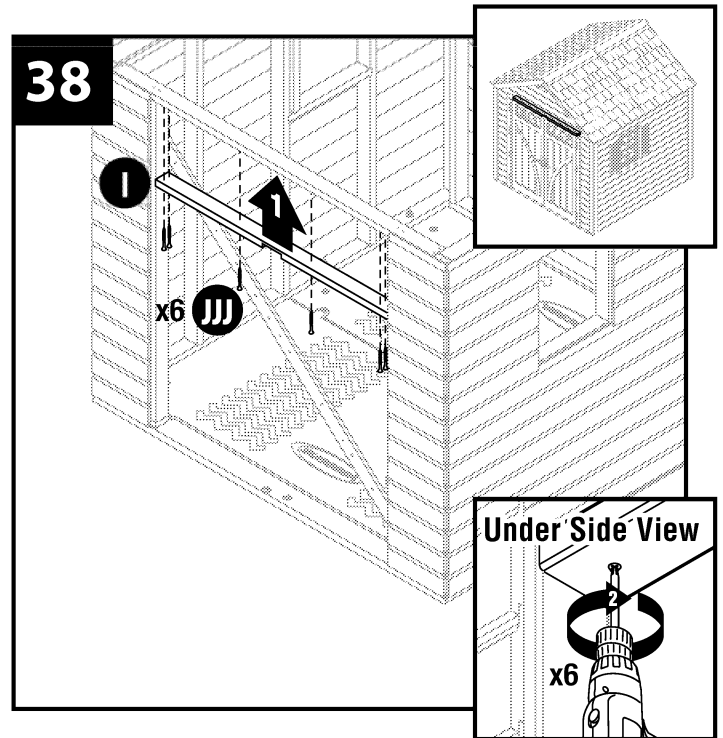


Follow the first piece at the bottom of each side with additional 14 1/4" siding front (BB) pieces until the front is covered at the sides of the door opening. Care should be taken to keep the pieces constantly level. The front pieces should approximately match height with the siding strips around the corner on the Side Walls.

The top pieces of siding on the front wall should end up roughly even with the top of the soffit boards capping off the side walls.

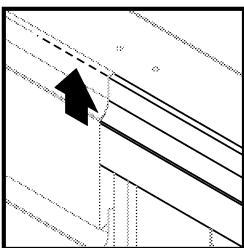


Screw the front header (I) in place with (6) #10 x 3" deck screws (JJJ). Width should match the 2" x 4" plate.



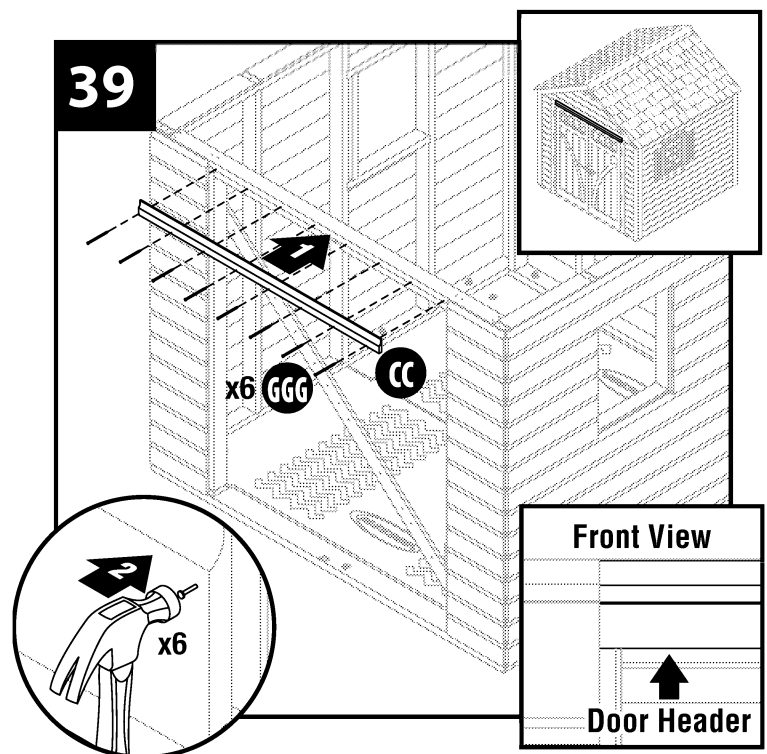
Nail the siding-over-door (CC) to the top plate, and the door header just installed, using (6) 2" 6-Penny finish nails (GGG).

The top of the siding-over-door (CC) should be approximately lined up with front wall siding pieces.



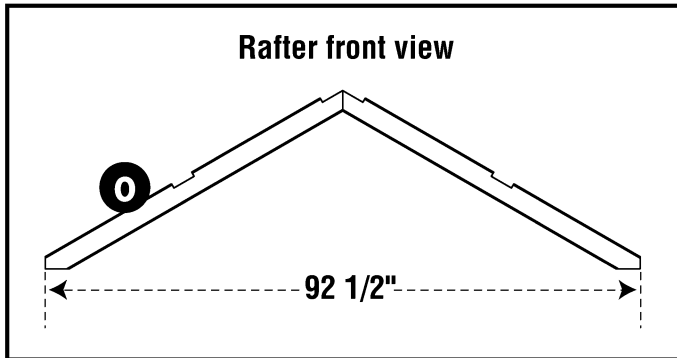
Make sure that the siding-over-door (CC) does not fall below the bottom surface of the door header. You should be able to see the bottom of the door header below the bottom of the siding-over-door (CC).

**Note:** The door opening brace can be removed at this point. You will need to be able to place a ladder inside the shed during roof assembly.



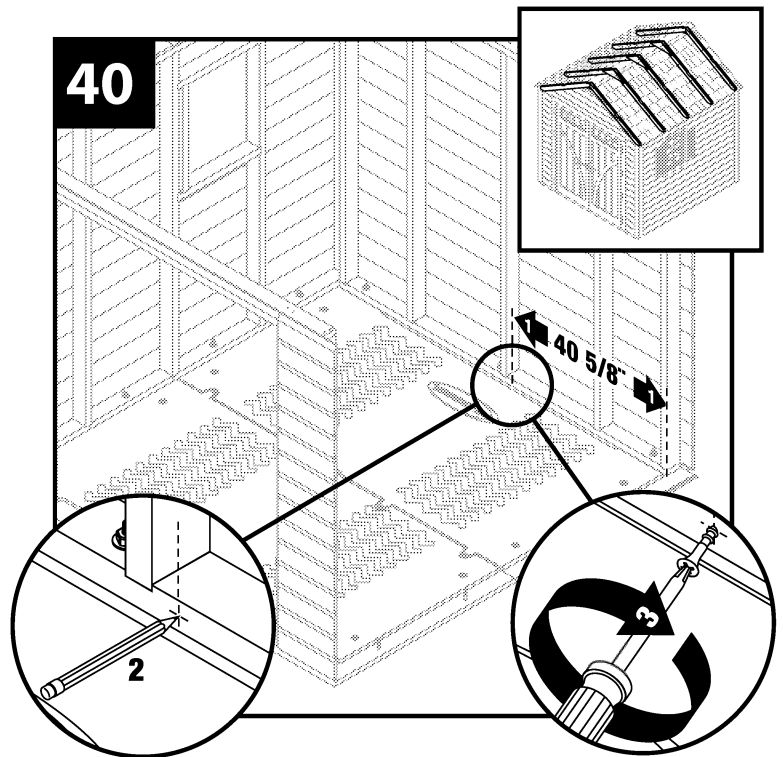
# Rafter Assembly Open Box 5 for materials needed in this section.

The rafter assemblies need to be precisely 92 1/2" wide in order to match the maximum shed width from soffit to soffit. The following procedure is recommended to control this dimension for the rafter sub-assemblies.



Measure along the back wall base plate and make a mark 40 5/8" from the corner formed with the adjacent wall.

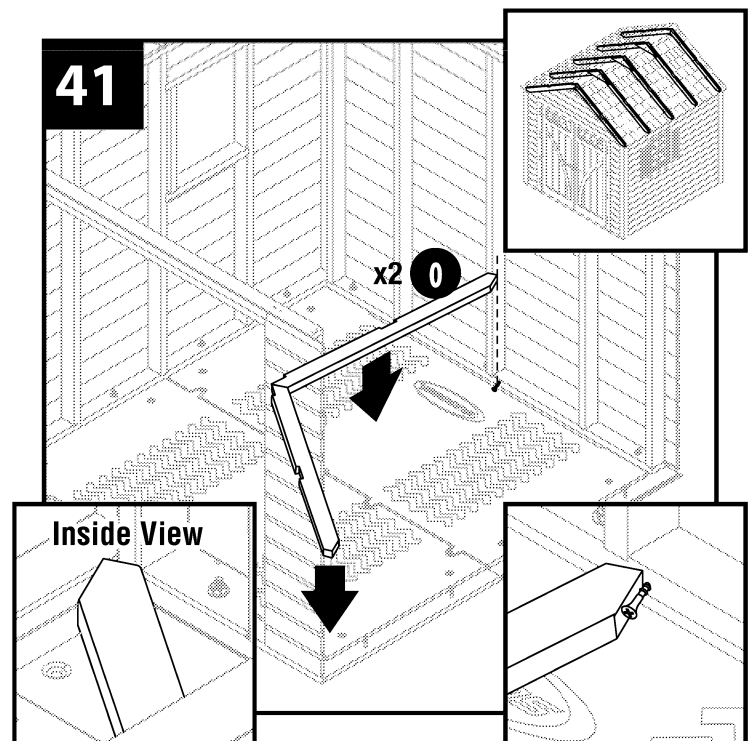
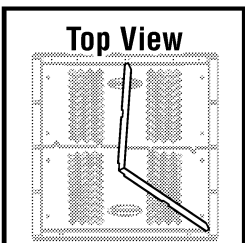
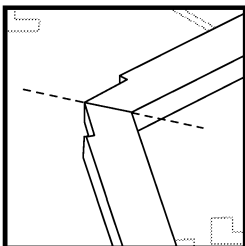
Drive a screw halfway into the back wall base plate at the 40 5/8" mark.



*For clarity, illustration is shown with right wall removed.*

Take (2) rafters (O), one with its bottom corner against the screw and the other with its corner against the base plate, and lay them down on the floor as shown.

Match the edges of the two rafters to create a sharp peak.

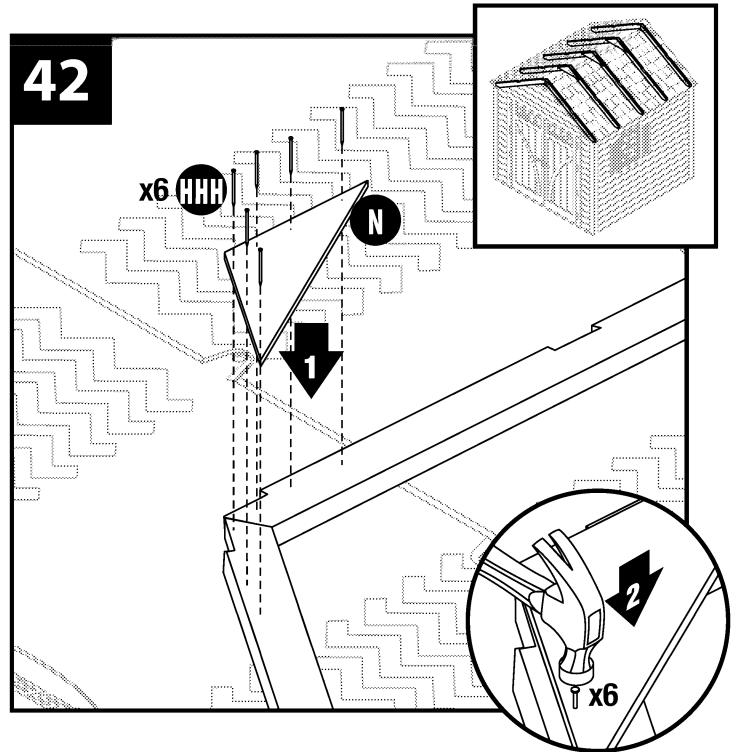


*For clarity, illustration is shown with right wall removed.*

These two parts can now be nailed together using (1) rafter gusset (N) and (6) 2 1/4" 6-Penny nails (HHH).

Repeat this procedure for the remaining four rafter sub assemblies. Once the five rafters are held in place with one gusset per side, add an additional gusset, opposite the first one, on three of the rafter sub-assemblies.

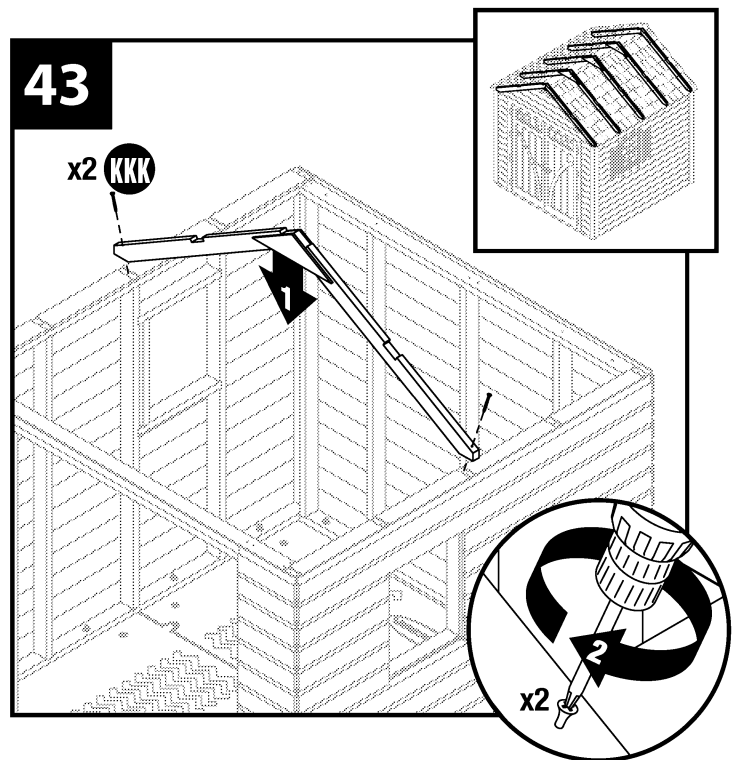
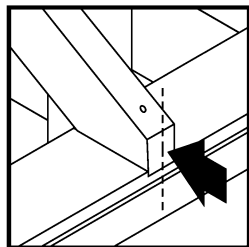
**Note:** The rafter assemblies for the front and back of the shed only require one gusset.



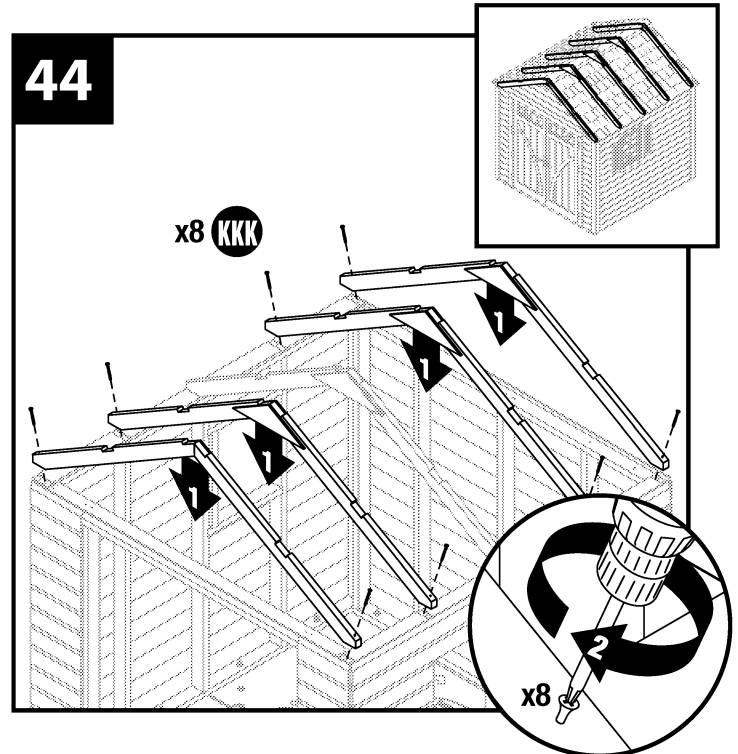
## Rafter Installation

Taking one of the rafter assemblies with double gussets, place the rafter in position at the middle of the shed. The 1 1/2" grooves on the soffit's top surfaces are there to position the rafters. The rafters are fastened in place with (2 ea) #10 x 4" deck screws (KKK).

**Note:** There is a pre-drilled hole at the outside end of each rafter. Line up each end of the rafter with the outside edge of its soffit support board and screw the rafter in place. Take care not to drive the screw so far into the rafter that the rafter board splits apart.



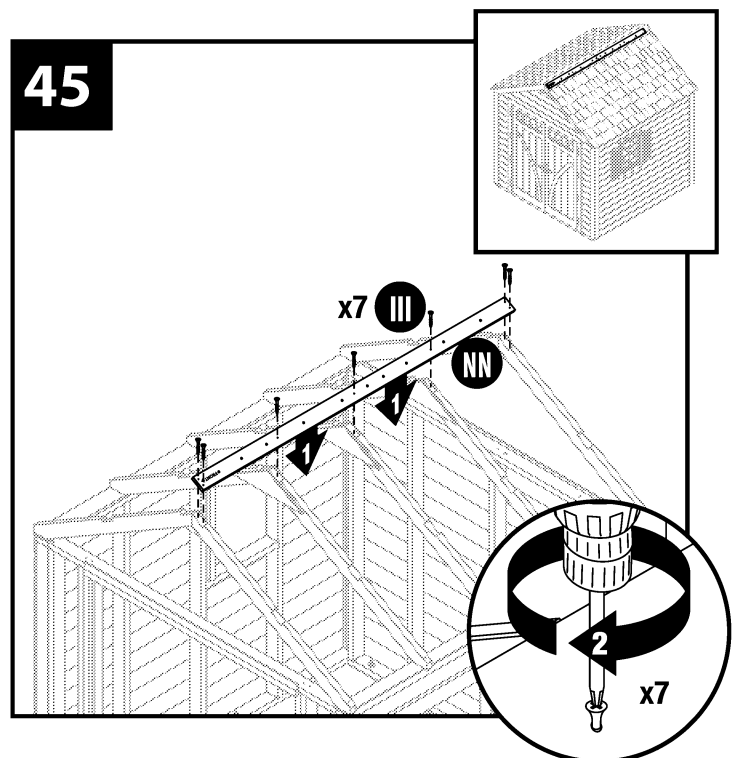
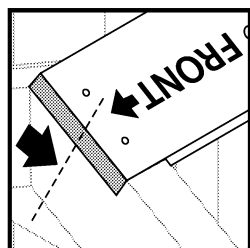
Repeat the mounting process for the remaining four rafter assemblies. Remember, the front and back rafters only have one gusset and that the gusset should face the interior of the shed (The vent will eventually take up the position where the second gusset would be).



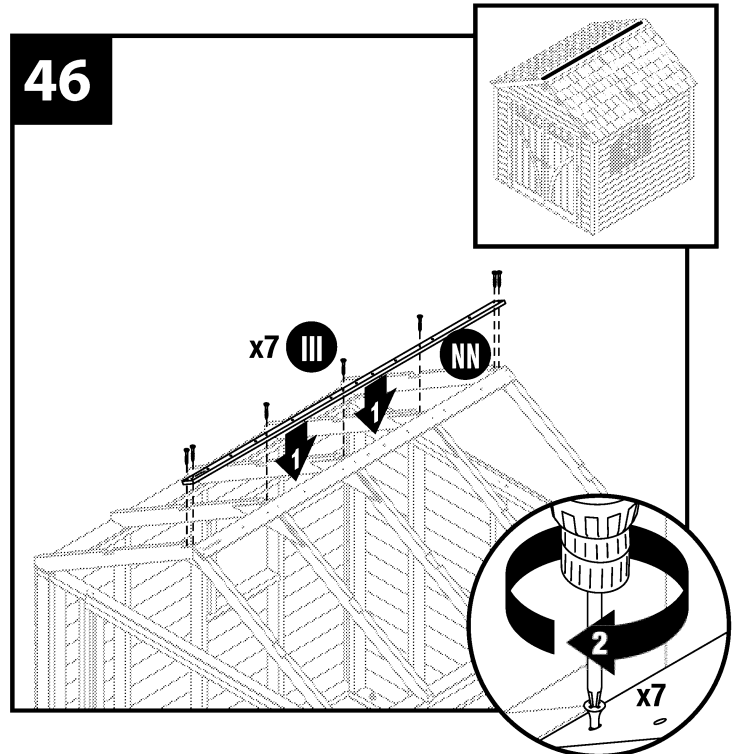
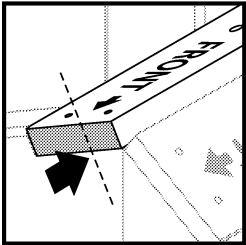
## Roof Lathe Installation *Open Box 5 for materials needed in this section.*

Working on a ladder from inside the shed, add a roof lathe (NN) starting on the right peak. Fasten through the holes provided into the rafters with (7) #10 x 2" deck screws (III). Two screws are used at each end of the lathes and a single screw each into the middle three rafters.

Make sure front end faces the front of shed. Roof lathes should be made flush with the rafters at each end.

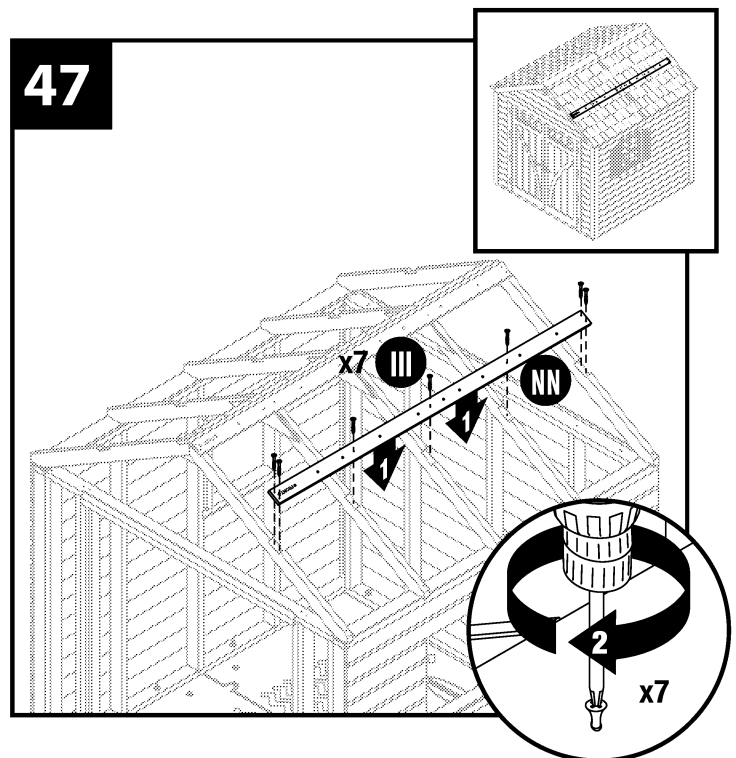
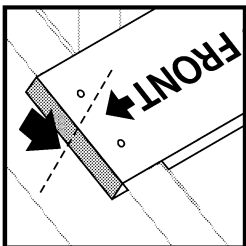


Match a roof lathe (NN) on the other side of the peak. Fasten through the holes provided into the rafters with (7) #10 x 2" deck screws (III). Two screws are used at each end of the lathes and a single screw each into the middle three rafters. Make sure front end faces the front of shed. Roof lathes should be made flush with the rafters at each end.



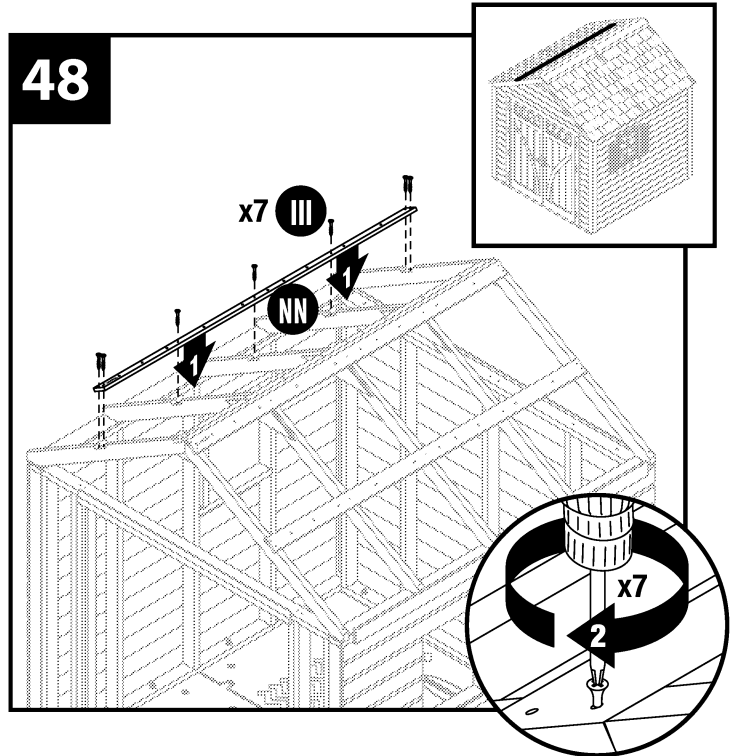
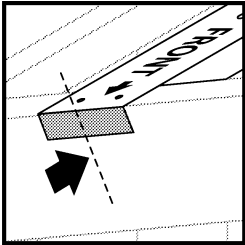
Add third roof lathe (NN) midway down rafters. Fasten through the holes provided into the rafters with (7) #10 x 2" deck screws (III). Two screws are used at each end of the lathes and a single screw each into the middle three rafters.

Make sure front end faces the front of shed. Roof lathes should be made flush with the rafters at each end.



Add fourth roof lathe (NN) midway down rafters. Fasten through the holes provided into the rafters with (7) #10 x 2" deck screws (III). Two screws are used at each end of the lathes and a single screw each into the middle three rafters.

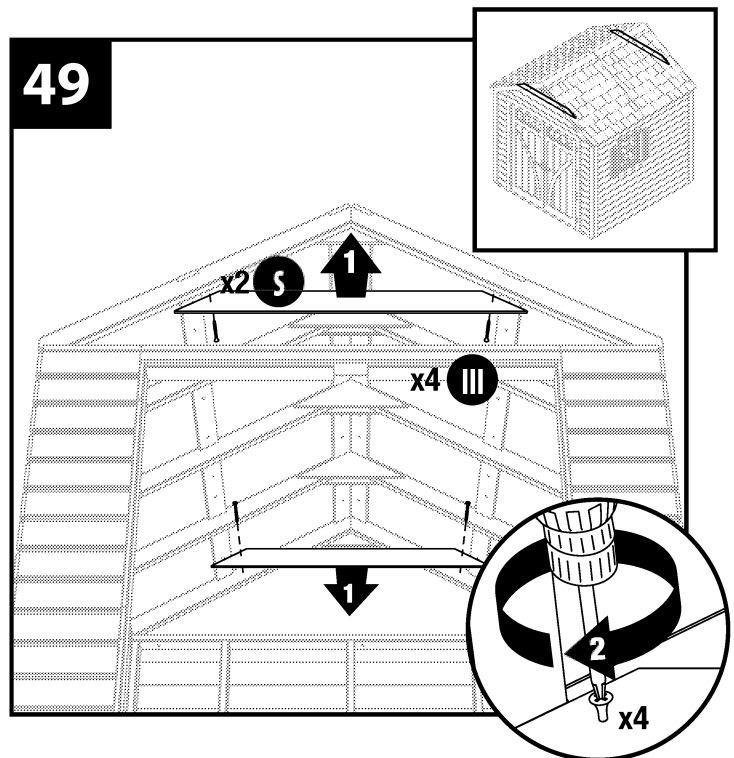
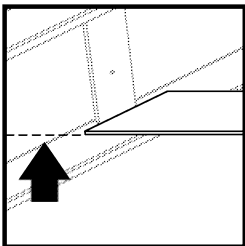
Make sure front end faces the front of shed. Roof lathes should be made flush with the rafters at each end.



## Gable Brace Installation

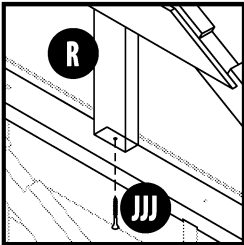
The gable braces (S) should be assembled on the inside of the front and back rafters. The braces should be fastened to the back of the rafters with (1) #10 x 2" deck screw (III) at each end of a brace.

Brace should be level with the floor, and can be assembled with its angled ends pressed up against the roof lathes that were attached in the previous steps.

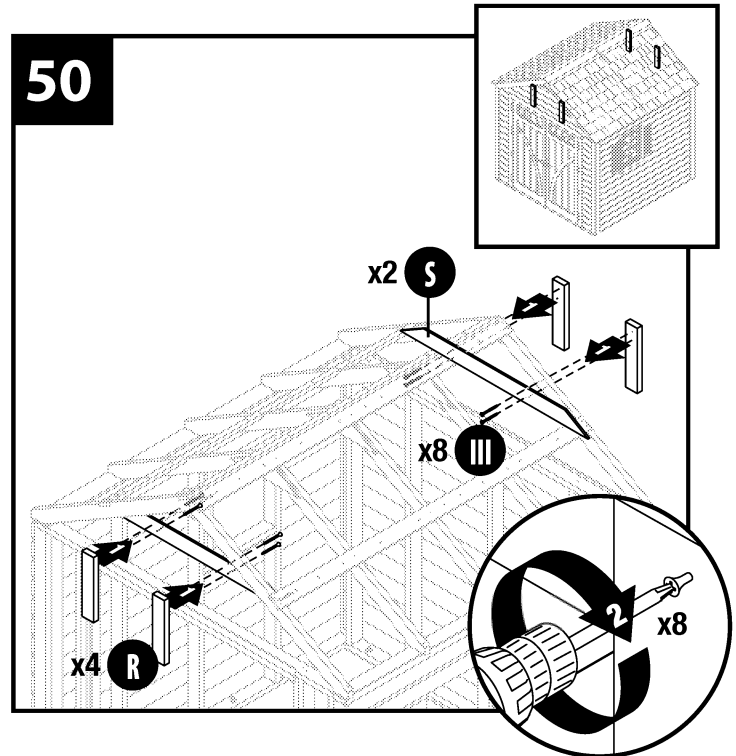


Two pieces of 2" x 4" bracing are added to the gable ends to provide a fastening surface for the gable end siding. Fasten (2) vertical gable braces (R) in front of each gable brace (S) with (4) #10 x 2" deck screws (III).

The bottom of each vertical gable brace (R) is attached with (1) #10 - 3" screw (JJJ) through a pre-drilled hole in the wall's top plate.



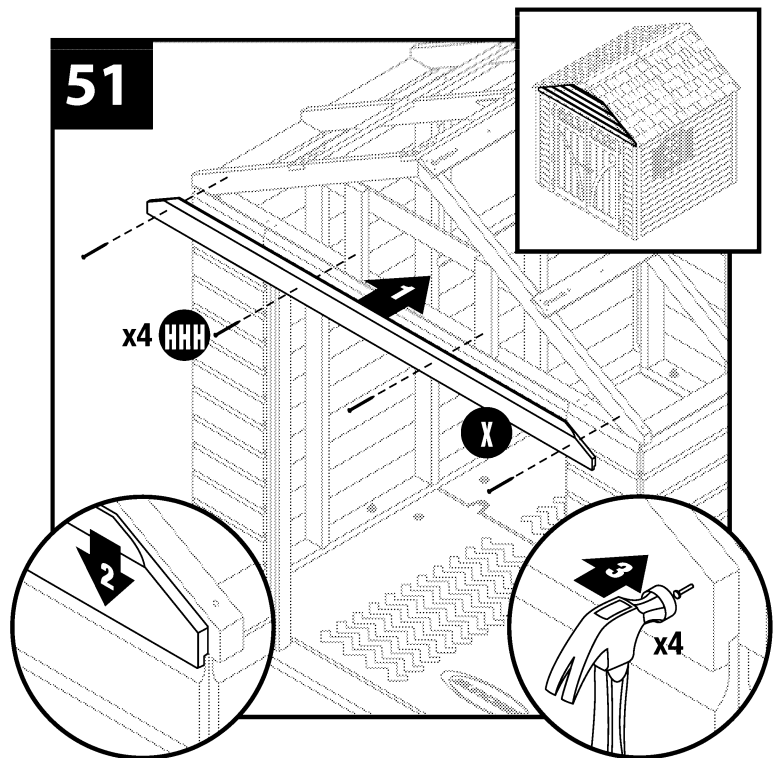
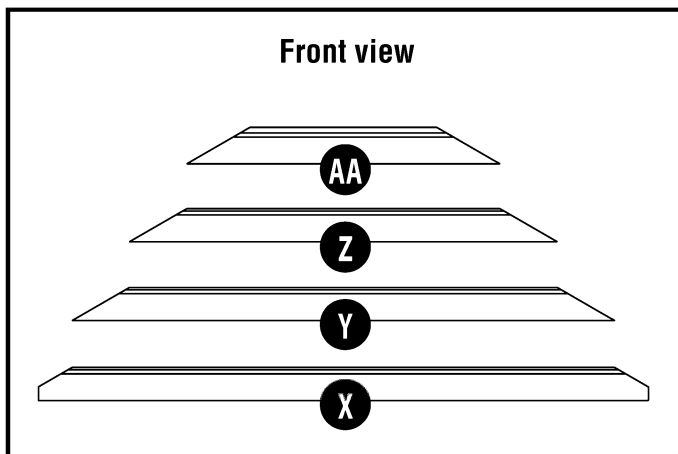
For the front braces, the door header should be temporarily removed.



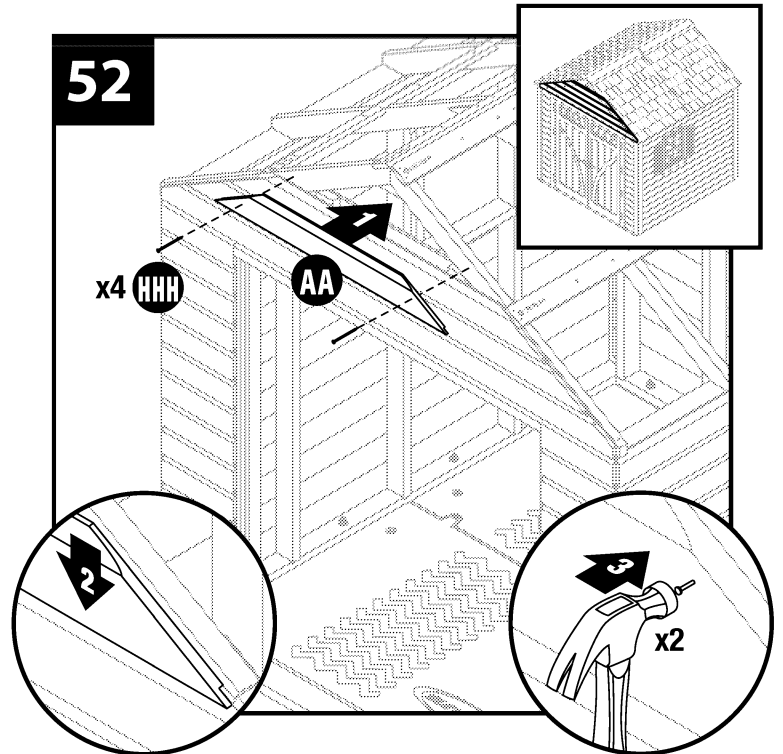
## Gable Siding Installation *Open Box A for materials needed in this section.*

Add the gable siding to the front wall starting with 91" gable siding (X) and using (4) 2 1/4" 6-Penny nails (HHH).

Progress upward using 80 5/8" gable siding (Y), and 63 3/4" gable siding (Z).



Add the narrowest 46 1/2" gable siding (AA) on top using (4) 2 1/4" 6-Penny nails (HHH).



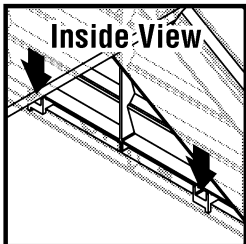
**53**

Repeat steps 51-52  
for rear gable  
siding.

# Vent Installation

Add the vents (Q) with screens (P) attached using (4) #8 x 1 1/4" wood screws (FFF).

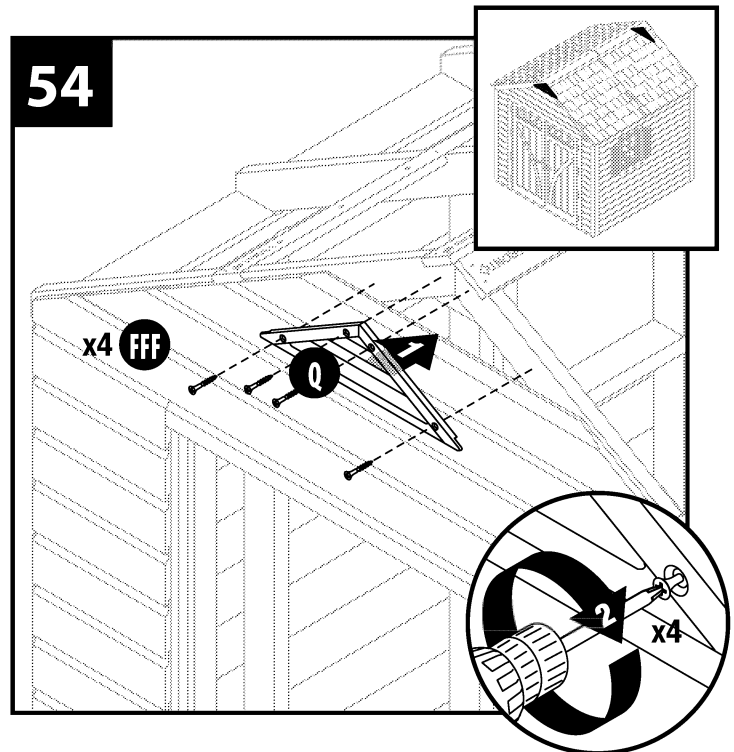
**Note:** The two hooks on the bottom inside of the vent will catch on the top of the gable siding. The screen (P) should be sandwiched between the top siding piece (AA) and the vent part (Q).



For clarity, illustration is shown with screen removed.

For best results, make sure the bottom edge of the screen (P) material is tucked in between the gable siding and the vent.

Repeat for back vent.

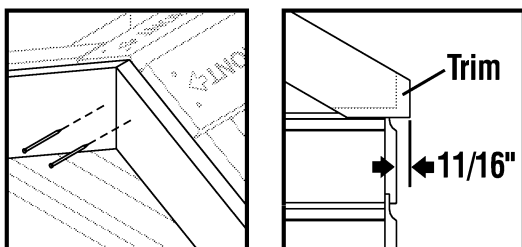


# Gable Trim Installation *Open Box 5 for materials needed in this section.*

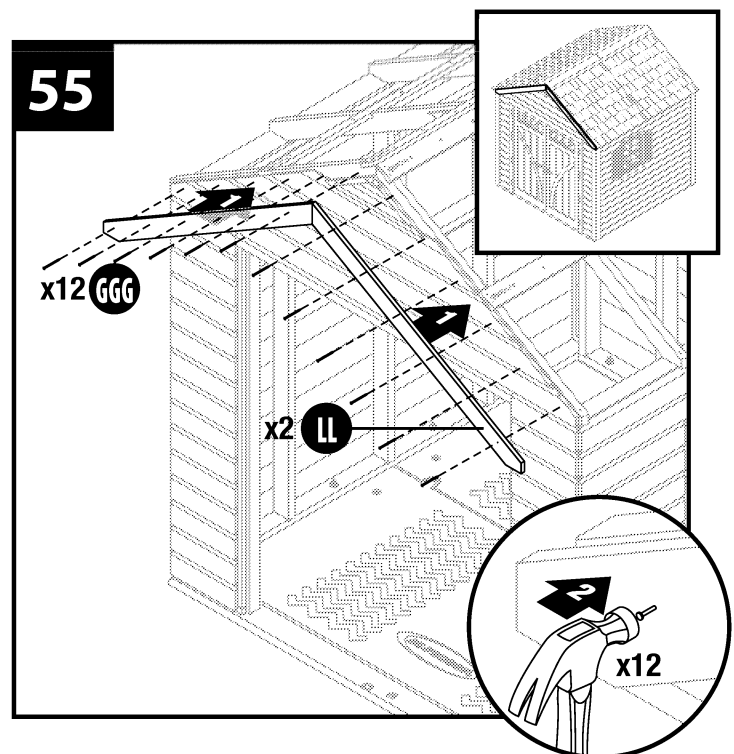
Trimming should begin prior to adding the other major components. The first pieces to fit are the (2) gable trim (LL). All trim is installed using (12) 2" 6-Penny finish nails (GGG).

The top of the gable trim boards should form a nice peak with their upper surface matching the upper surface of the rafters. The bottom will be 11/16" wider than the rafters at each end. The gable vent screw connections will be covered by this trim.

Repeat for rear gable.



**Note:** The upper extent of the gable trim is unsupported, and should be backed-up with a small piece of extra siding to prevent damage to the plastic vent component. One trim nail to each side of the center joint will hold the formed peak.

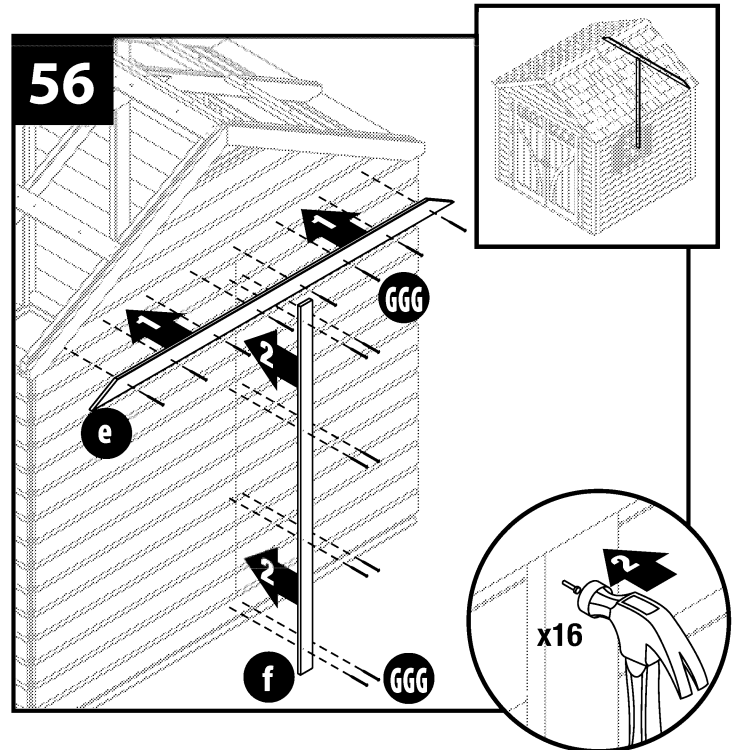


# Corner Trim Installation

Attach the back horizontal trim piece (e) over the gable siding with its angled ends fitted to the gable trim just installed. Nail into place using (8) 2" 6-Penny finish nails (GGG).\*

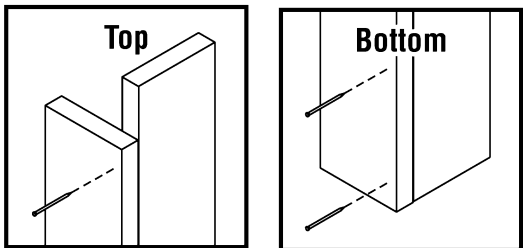
Attach the back center trim (f) over the seam between the 45-1/2" back wall siding. The trim should butt up against the horizontal trim piece installed above. Make sure the trim covers the center seam in the back wall's siding.

\*The general purpose finish nails used for installing the trim are all 2". The back horizontal trim piece (e) is the only part that attaches directly to the siding. This combination will produce a nail penetration of over 1/2". 6-Penny finish nails of 1 1/4" length (not supplied) can be substituted if nail penetration is deemed unacceptable.



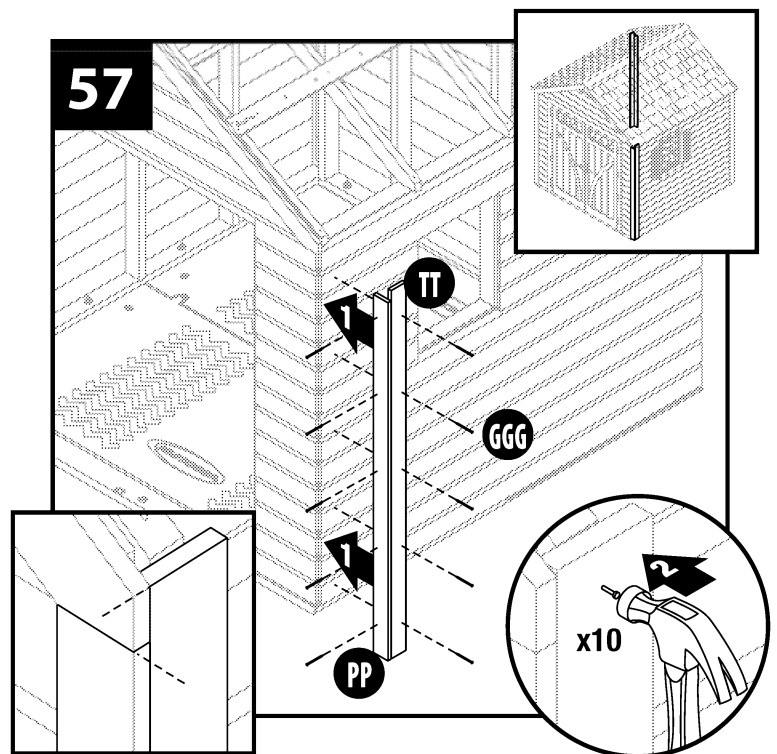
Each corner's trim should be formed as a sub-assembly prior to being attached to the shed.

For the right corners, nail a long corner trim 76 1/4" (TT) to a short corner trim 74 1/16" (PP) as shown.

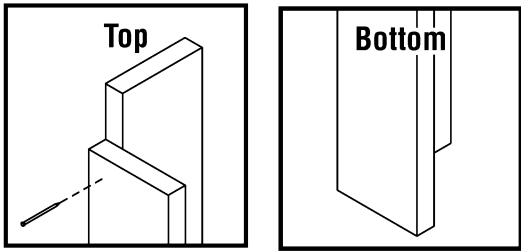


Attach to the shed so that the outside corner of the gable trim matches the outside corner of the corner trim assembly. Nail into place using (10) 2" 6-Penny finish nails (GGG). Repeat the process for the back wall corner trim pieces.

**Note:** The longer corner trim always goes down the side of the shed and the shorter corner trim is applied to the gabled end wall and matches up with the roof's gable trim.

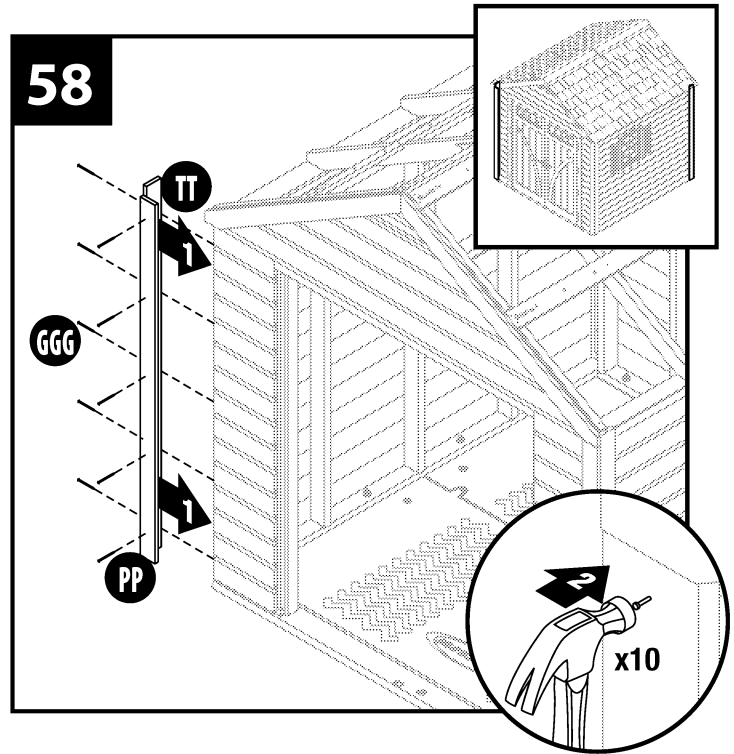


For the left corners, nail a 76 1/4" corner trim (TT) to a 74 1/16" corner trim (PP) as shown.



Attach to the shed so that the outside corner of the gable trim matches the outside corner of the corner trim assembly. Nail into place using (10) 2" 6-Penny finish nails (GGG). Repeat the process for the back wall corner trim pieces.

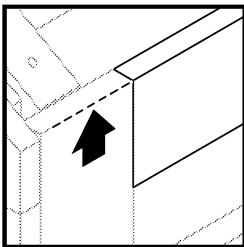
**Note:** The longer corner trim always goes down the side of the shed and the shorter corner trim is applied to the gabled end wall and matches up with the roof's gable trim.



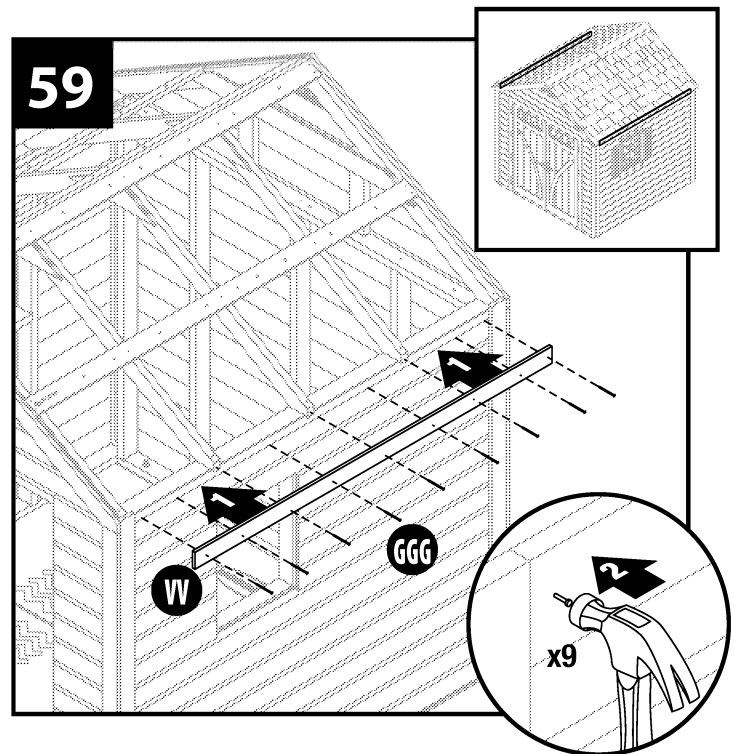
## Fascia Installation *Open Box 5 for materials needed in this section.*

Once the corners are trimmed, the rafter ends are capped off with the (2) 1" x 3" x 85 1/4" fascia boards (VV) (one per side).

The fascia boards line up with the top of the corner trim pieces.



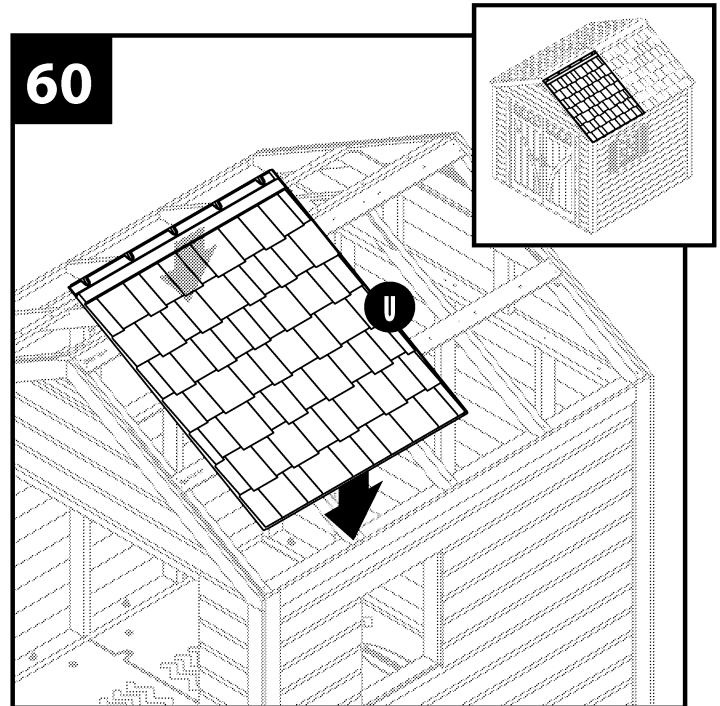
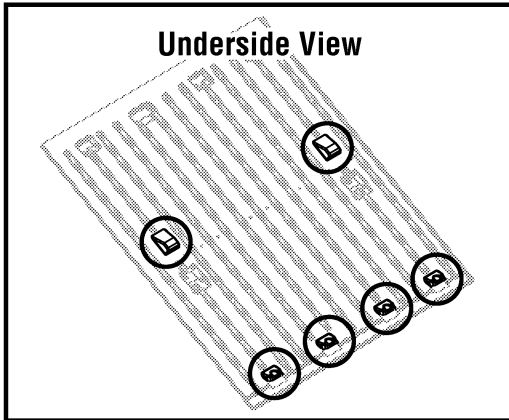
Once in place, each fascia board is nailed in place with (9) 2" 6-Penny finish nails (GGG) going into the rafter ends and the edge of the soffit. Repeat for opposite side fascia.



# Roof Panel Installation *Open Box A for materials needed in this section.*

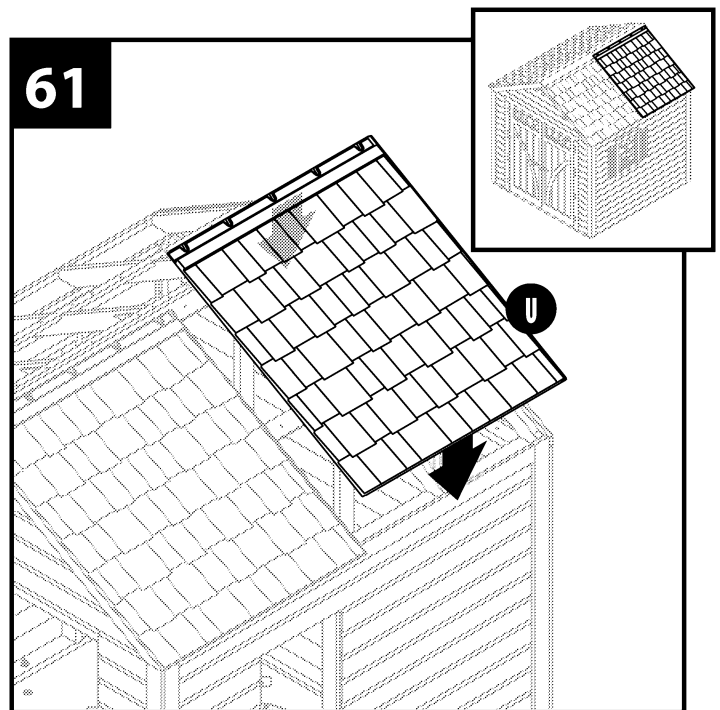
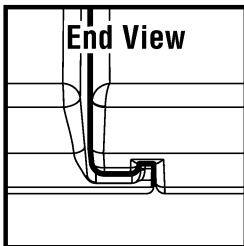
The roof panels can now be assembled to the shed. Start with the front right panel (U).

The bottom edge of the roof panels have a detail to catch on the inside of the fascia board and also on the top edge of the roof lathe half way up the roof's slope.

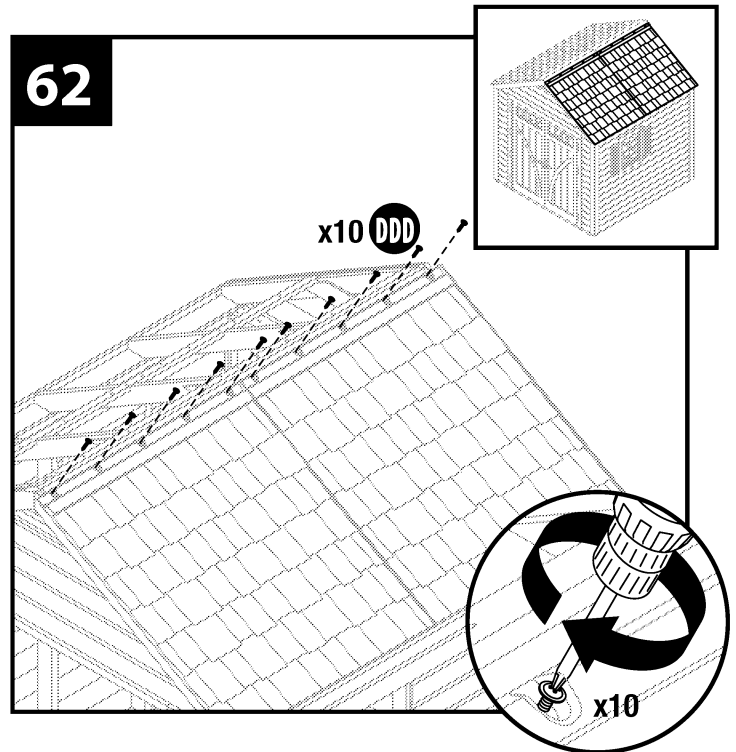


Before fastening, add the second right roof panel (U).

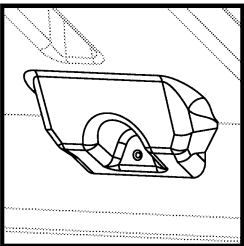
The joint between the right roof panels forms a seam.



Once the (2) right roof panels are in place, they should be fastened first into the roof lathe at the ridge. Screw (10) #8 x 3/4" washer head screws (DDD) through the outside of the roof panels and into the lathe.

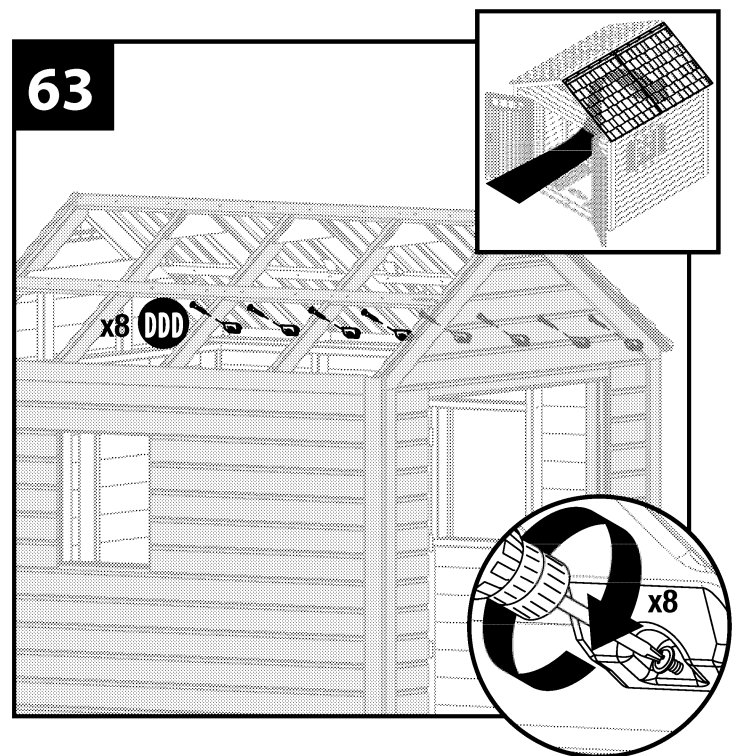


There are four screw locations molded into each roof panel for attaching to the fascia.

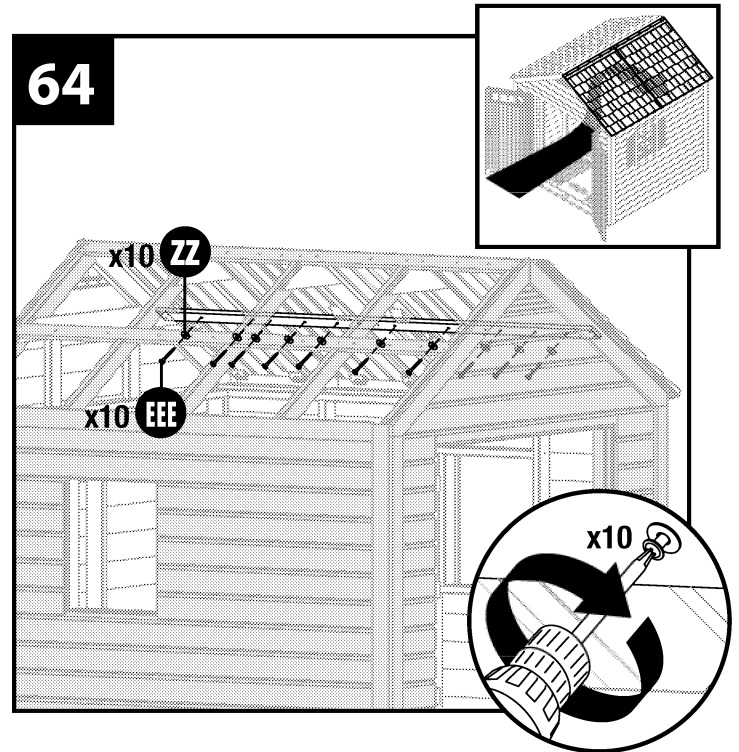


Install (8) #8 x 3/4" washer head screws (DDD) through the molded locations into the fascia.

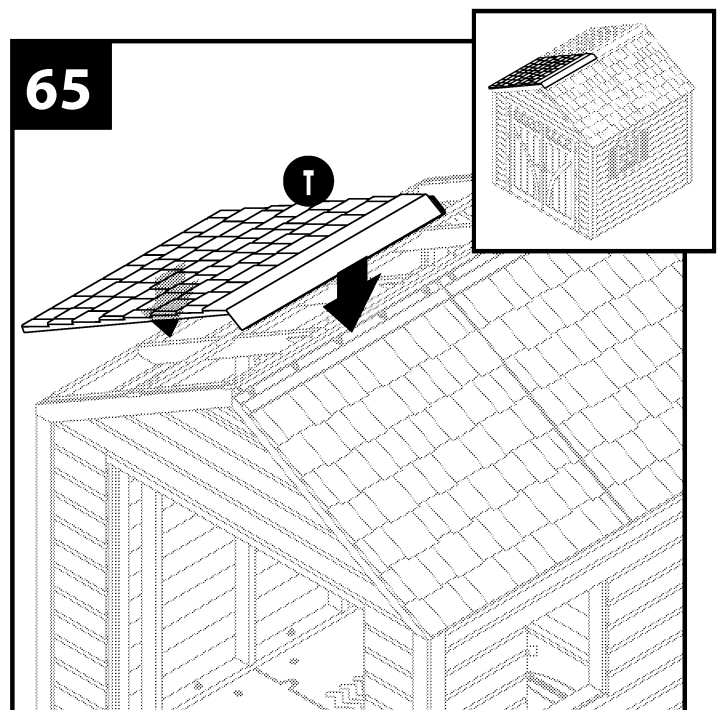
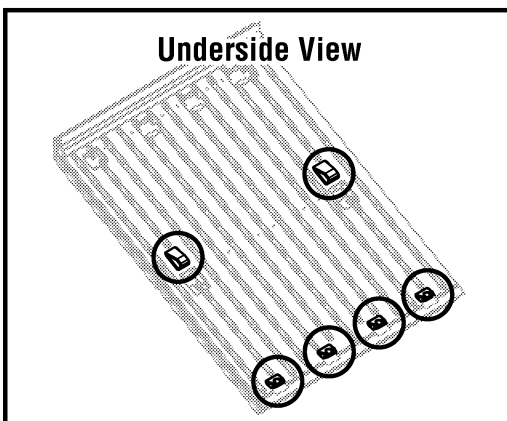
It will be helpful to have someone press down on the outside edge of the panels while making this connection.



Use (10) #8 x 1 5/8" washer head screws (EEE) with (10) J-hook washers (ZZ) through the middle lathe and into the plastic roof panels. There are five pre-drilled holes in the lathes for each roof panel. These correspond with pre-formed screw locations on the underside of the plastic roof parts.

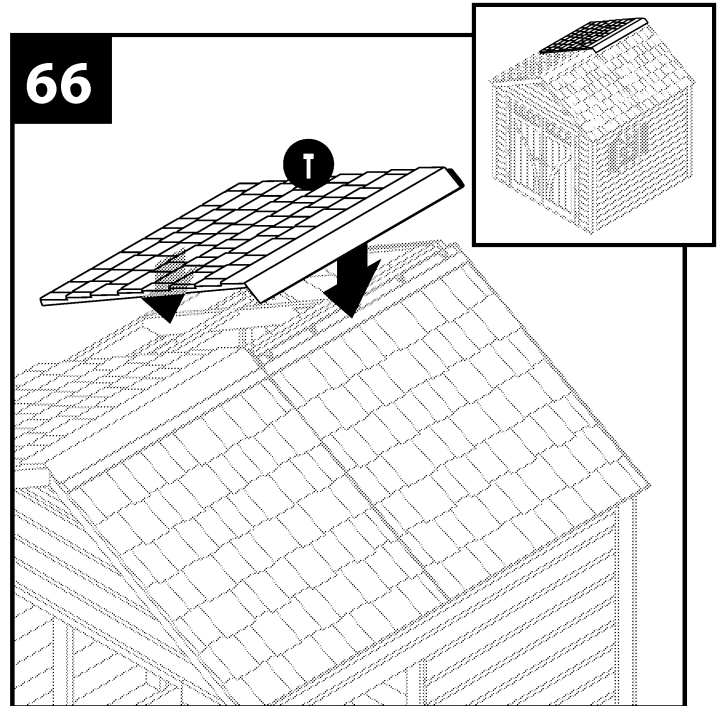
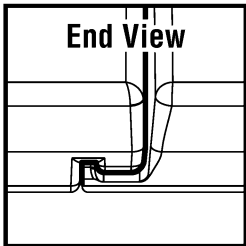


Add the front left roof panel (T). The bottom edge of the roof panels have a detail to catch on the inside of the fascia board and also on the top edge of the roof lathe half way up the roof's slope.



Before fastening anything, add the second left roof panel (T).

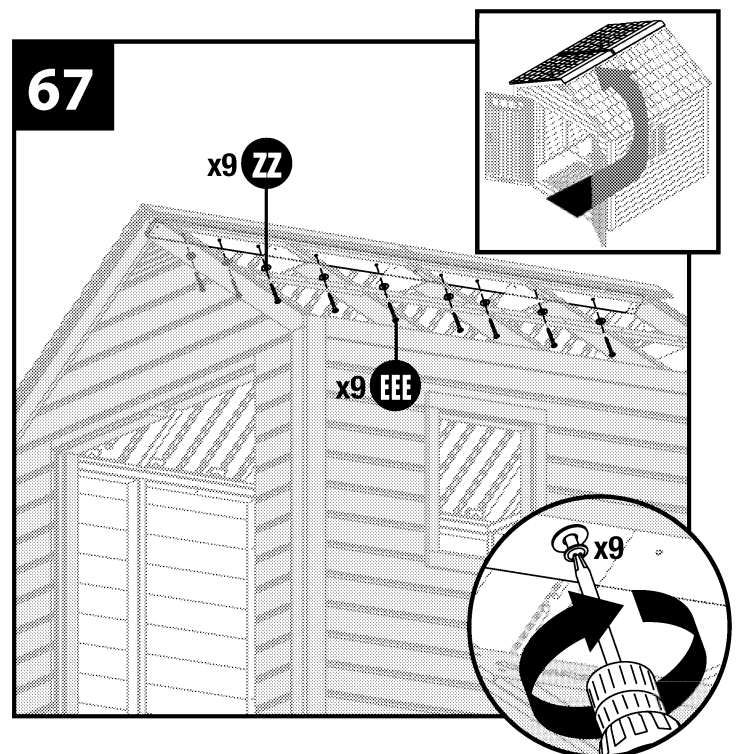
The joint between the left roof panels forms a seam.



The left roof panels can then be fastened to the ridge roof lathe.

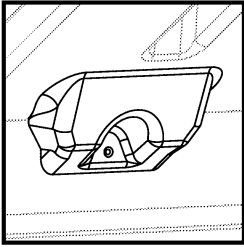
**Note:** The ridge connection on the left roof is made from inside the shed (instead of from above like the right roof ridge.)

Use (9) #8 x 1 5/8" washer head screws (EEE) with (9) J-hook washers (ZZ) for the ridge connection of the left roof panels to the roof lathe inside of the left peak. Install the front five screws and then the back four screws (the middle lathe hole is not used).



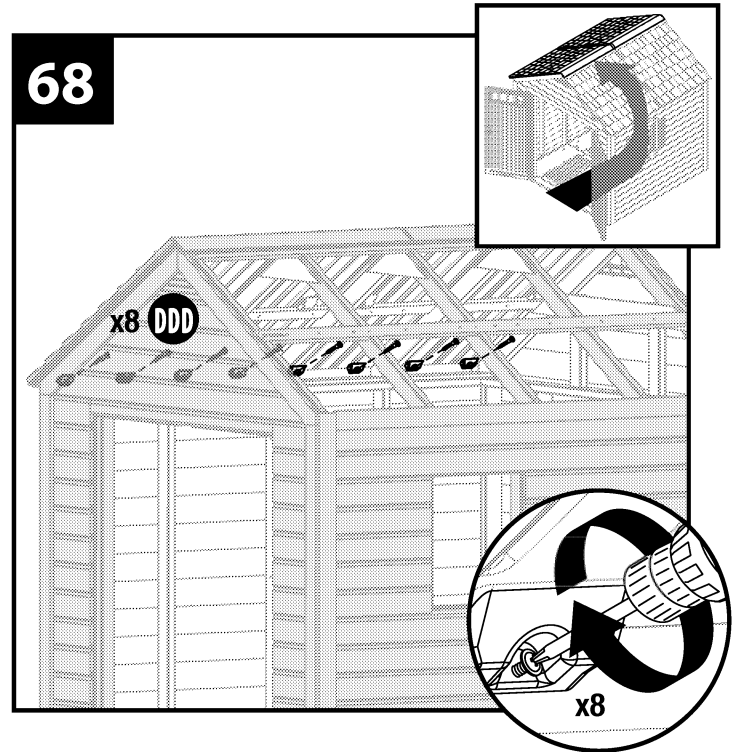
For clarity, illustration is shown with right roof panels removed.

There are four screw locations molded into each roof panel for attaching to the fascia.



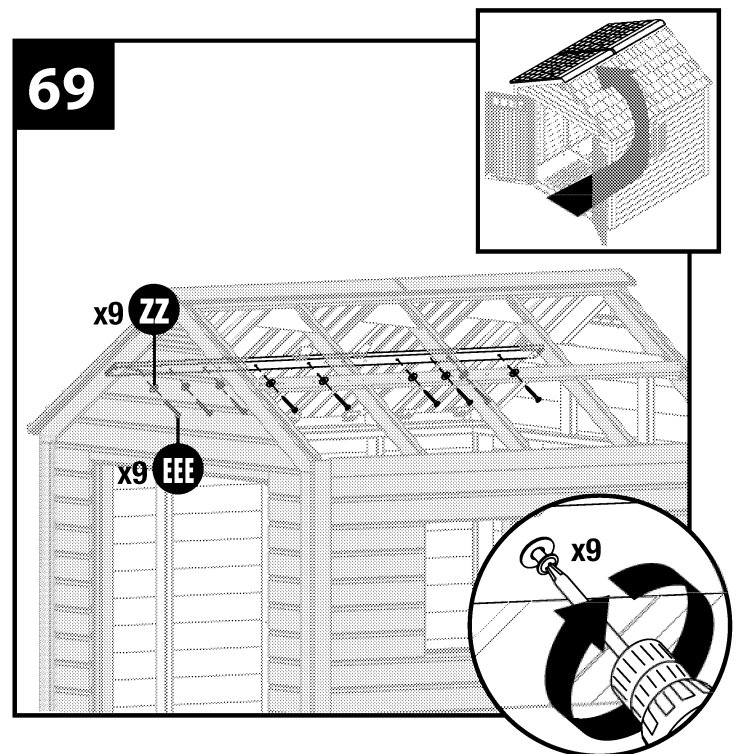
Install (4) #8 x 3/4" washer head screws (DDD) through the molded locations into the fascia.

It will be helpful to have someone press down on the outside edge of the panels while making this connection.



*For clarity, illustration is shown with right roof panels removed.*

Use (9) #8 x 1 5/8" washer head screws (EEE) with (9) J-hook washers (ZZ) through the middle lathe and into the plastic roof panels. There are pre-drilled holes in the lathes for each roof panel. These correspond with pre-formed screw locations on the underside of the plastic roof parts. Install the front five screws and then the back four screws (the middle lathe hole is not used).

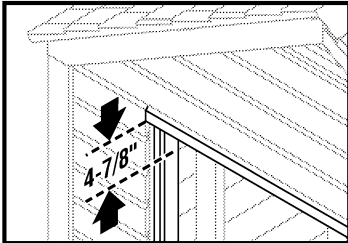


*For clarity, illustration is shown with right roof panels removed.*

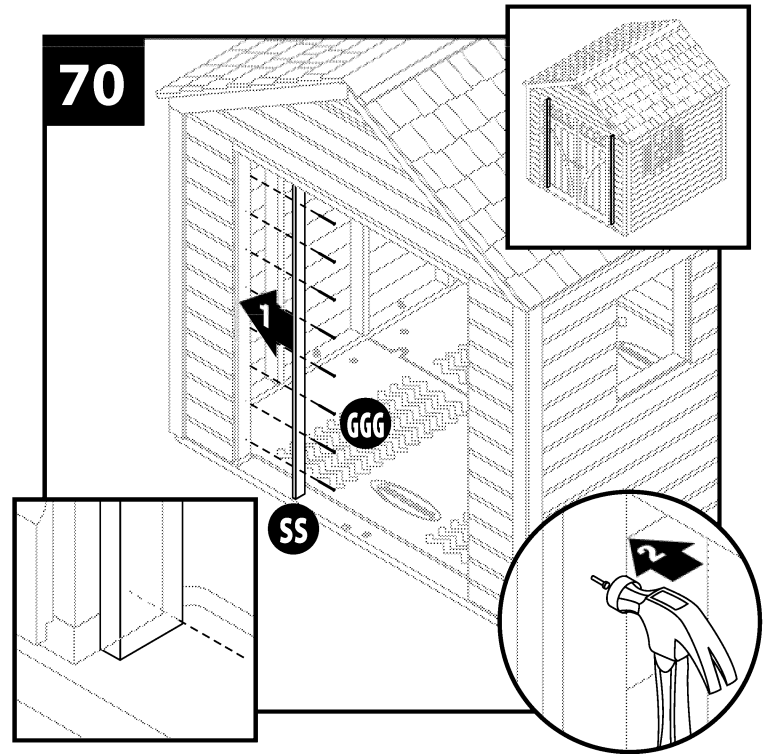
# Door Installation

The door opening is trimmed with door jambs (SS) on either side. Nail each piece so that it is flush with the inside surface of the 2 x 4 door opening framing. Fasten with 2" 6-Penny finish nails (GGG). Repeat for opposite door jamb.

Locate hinge holes. The top hinge location is measured from the underside of the 2" x 4" door header.



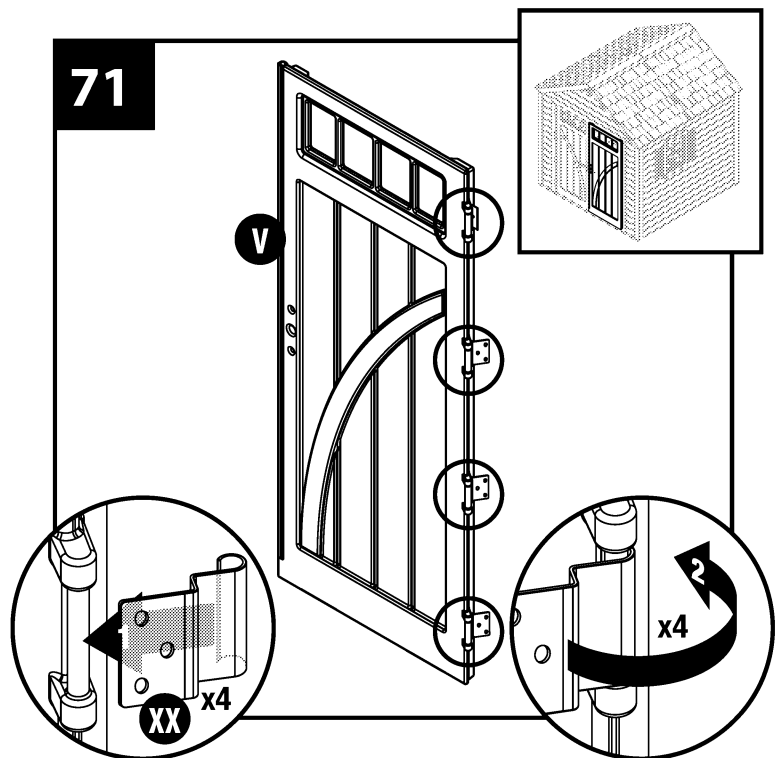
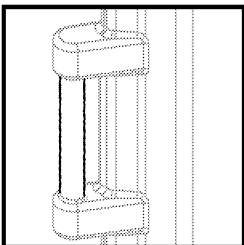
Mark this location on each side of the door post.



Stand the right door (V) upright with the four hinge mounts facing right. Attach one metal hinge plate (XX) to each hinge mount. Rotate the hinge plates to the inside of the door.

Repeat for left door (X).

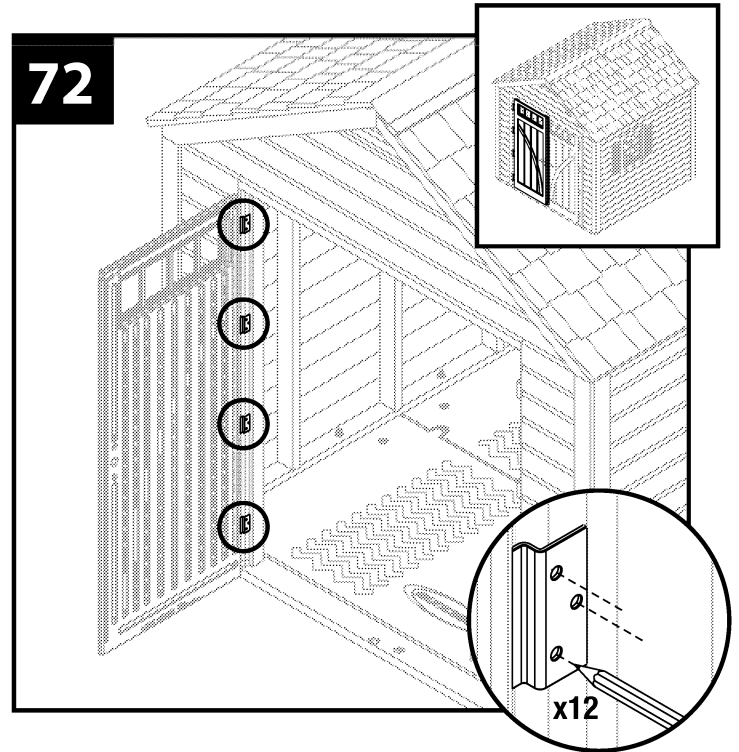
*Note: For smooth operation of the doors, make sure that the hinge pins are free of any extra plastic in the areas indicated.*



Hold the left door (W) up to the left door post and match the top of the upper hinge to the mark made in Step 68. Mark the location of the holes for each hinge (12 holes).

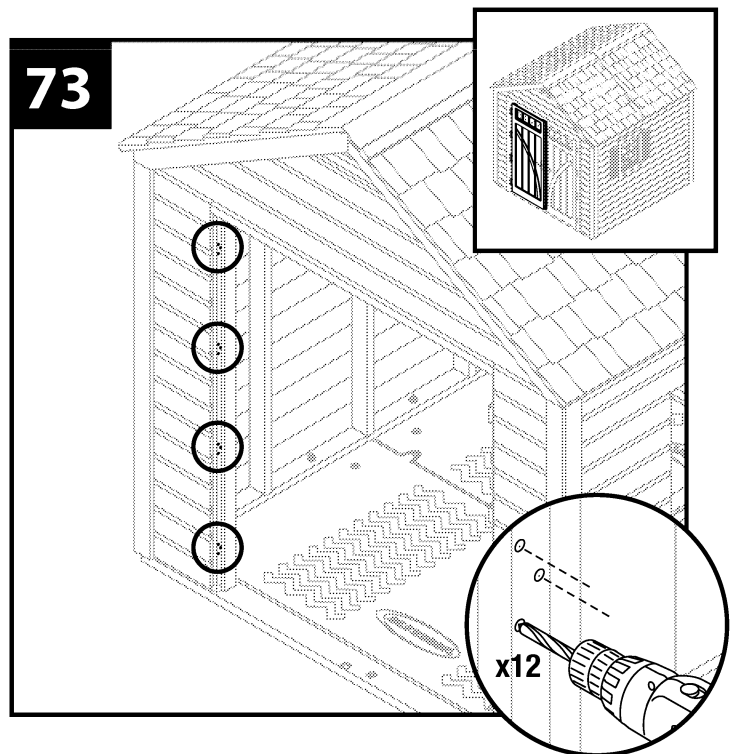
Repeat for right door (V).

**Tip:** Mark the top most hole and install the first screw to hold the door in place.

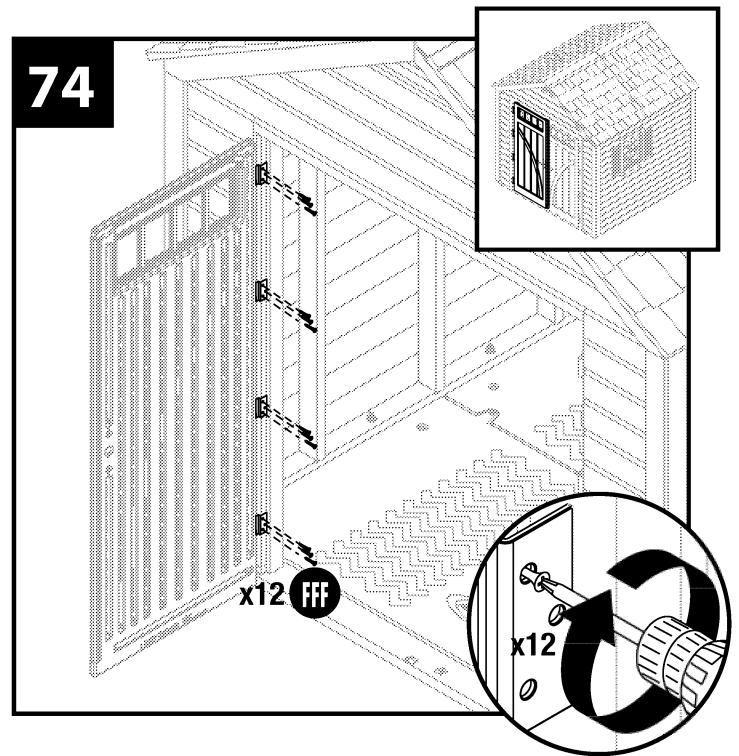


Pre-drill each marked hole location with a 1/8" drill bit (total of 12 holes). Drill approximately 1" deep.

Repeat for right door (V).



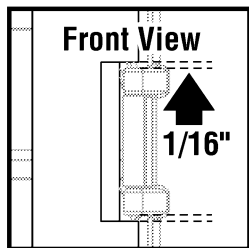
Fasten the doors to the door frame with (3) #8 x 1 1/4" wood screws (FFF) at each hinge location.



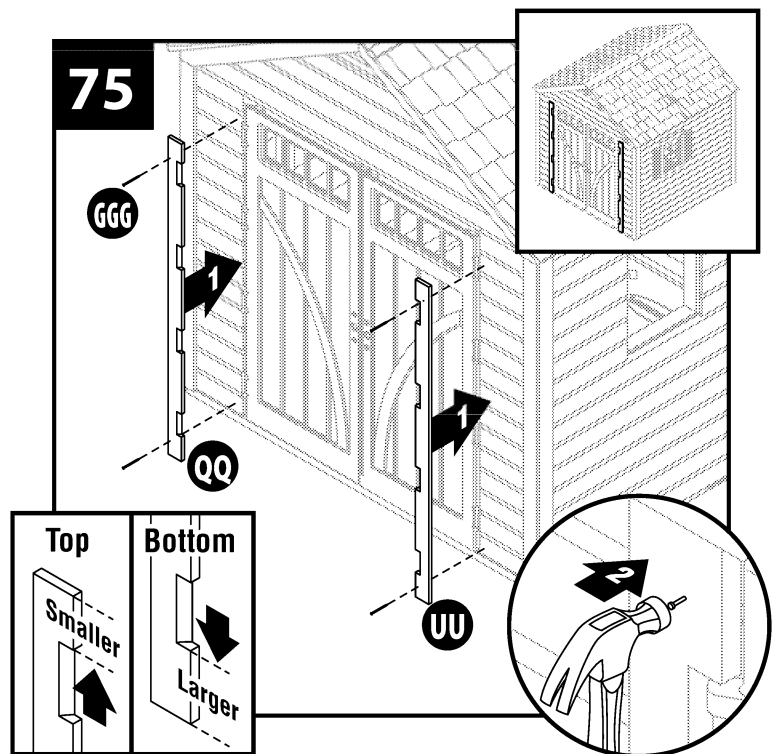
## Door Trim Installation *Open Box 4 for materials needed in this section.*

Line up the left door side trim (QQ) and right door side trim (UU) leaving an even space between the trim and the door's plastic hinge detail.

Leave about 1/16" gap above and below the doors hinge details if possible. Tuck the side trim pieces into the hinges and then back them away from the hinge detail about 1/16".



**Note:** Tack the side trim in place, **DO NOT** permanently nail the parts until the top trim piece has been fitted using 2" 6-Penny finish nails (GGG).

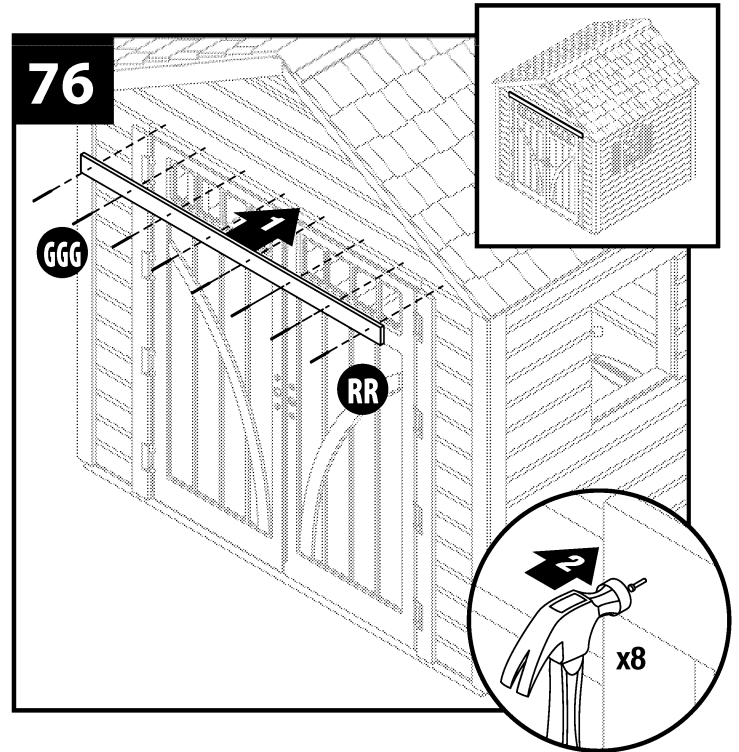


The front of the shed is finished with the addition of the trim piece for over the door.

Set the door top trim 68 1/2" (RR) on the side trim pieces. The top should be even, or just a little wider than the two side trim pieces. Nail the top trim piece in place using (8) 2" 6-Penny finish nails (GGG), making sure that the part is centered over the side trim pieces.

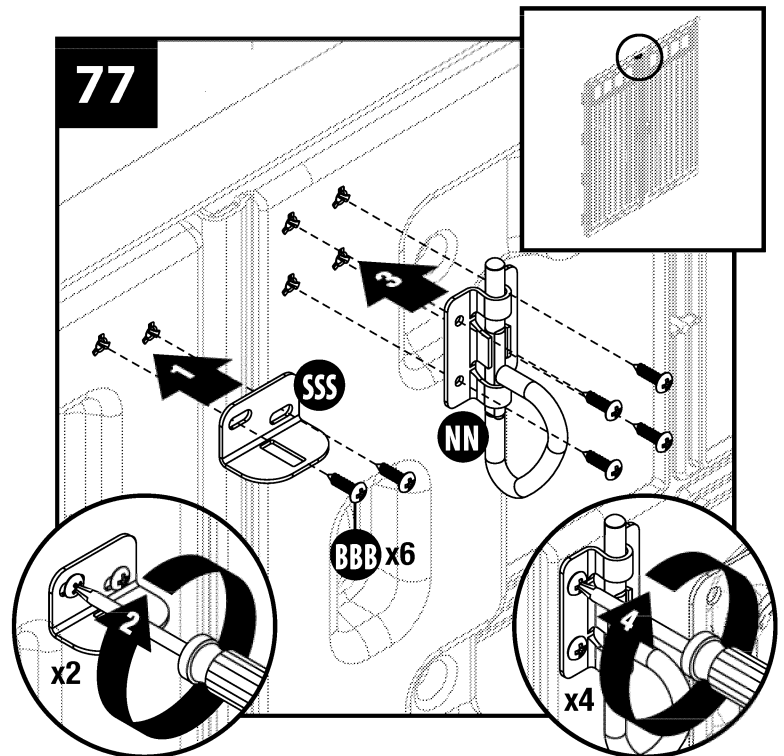
**Note:** If the top trim is not equal to, or longer than, the span of the sides, move the side trim in closer to the hinges.

Securely nail the side trim pieces in place.

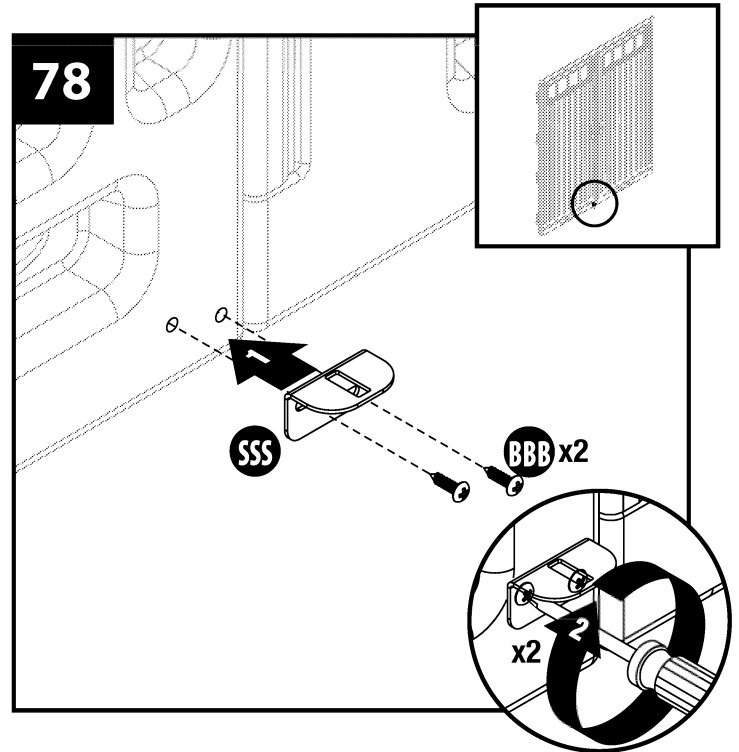


## Door Hardware Installation Open Box A for materials needed in this section.

At the top interior side of right door, attach one clip (SSS) with (2) 5/8" pan head screws (BBB) through provided holes. At the top interior side of left door, attach D-ring slid bolt (NN) with (4) 5/8" pan head screws (BBB) through provided holes.

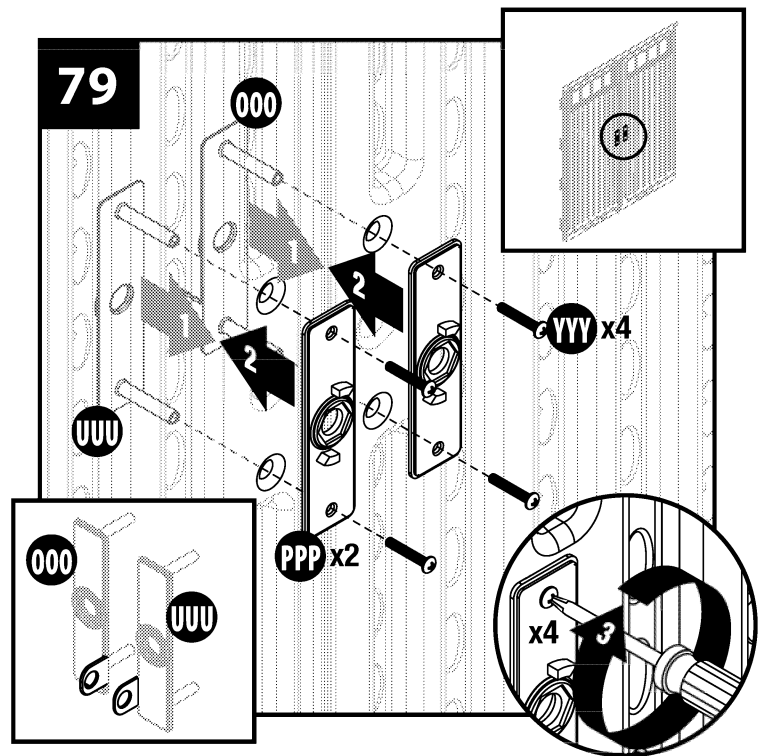


At the bottom interior side of right door, attach remaining clip (SSS) with (2) 5/8" pan head screws (BBB) through provided holes.

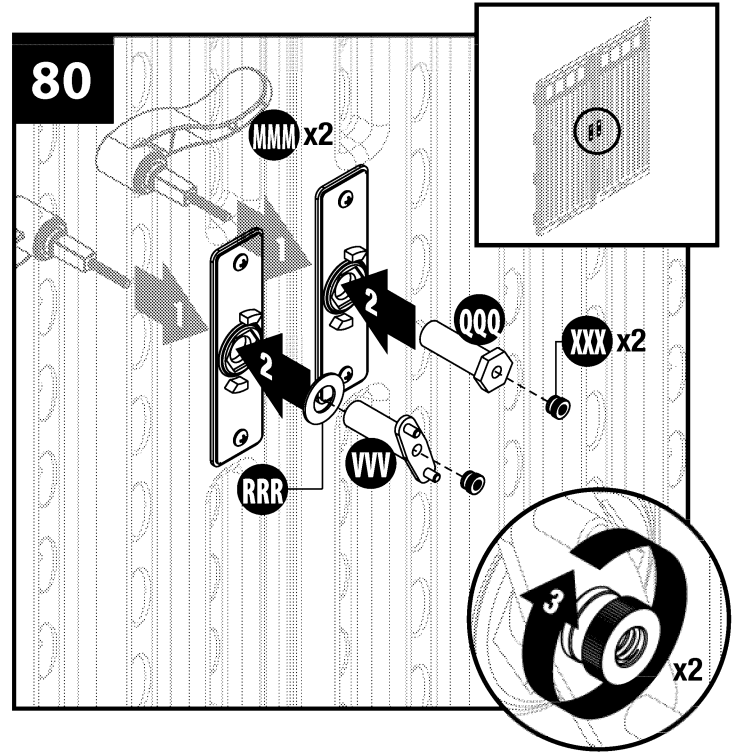


Insert screw stems on left and right handle plates (OOO) and (UUU) through the provided holes in doors. While holding plates in place on exterior of door, position inside handle plates (PPP) over the stems and secure each with two Phillips machine screws (YYY).

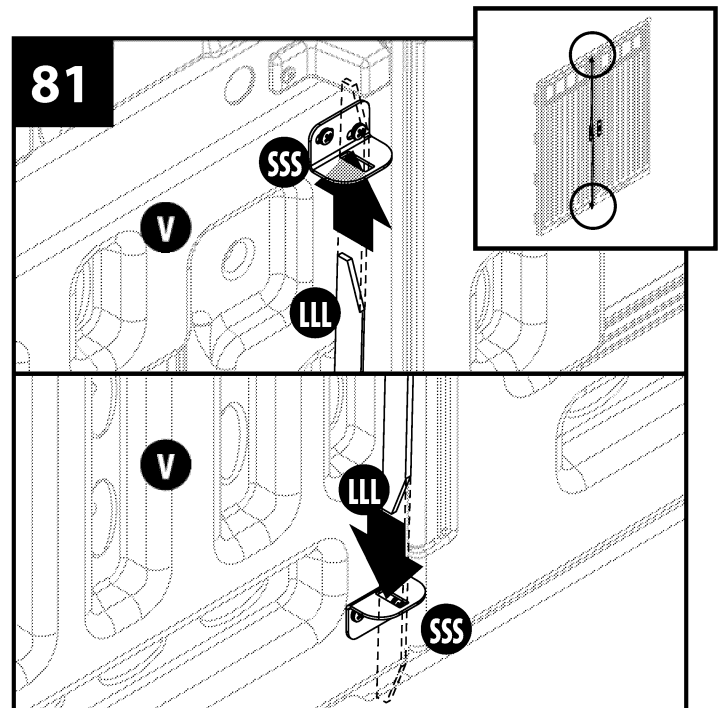
**Note:** Left and right handle plates have locking tabs that should fit flush to each other between doors.



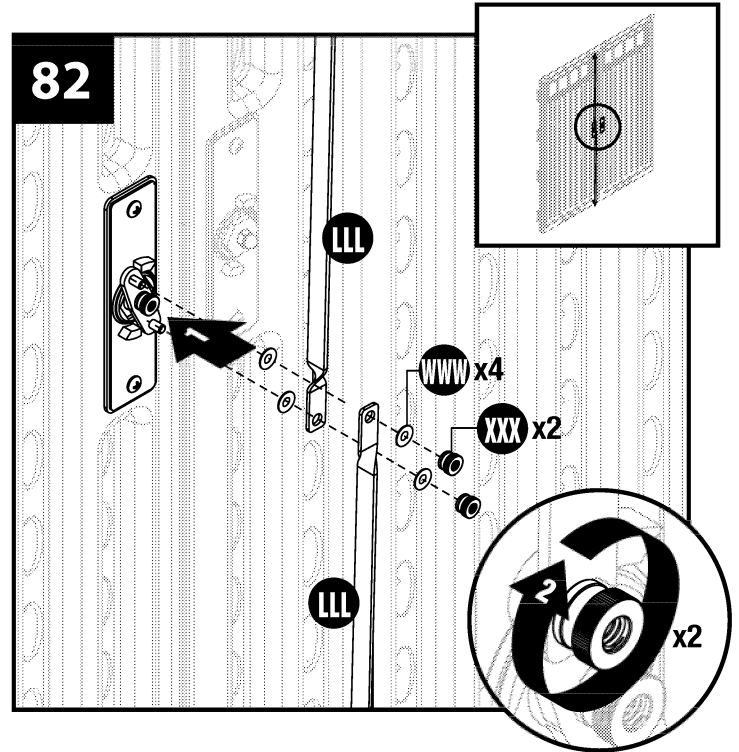
From the outside of left door, insert door handle (MMM) through handle plate hole. On the inside of left door, place handle stop (QQQ) on door handle, and secure with nylon thumb nut (XXX). From the outside of right door, insert door handle (MMM) through handle plate hole. On the inside of right door, place actuator washer (RRR) and handle actuator (VVV) on right door handle and secure with nylon thumb nut (XXX).



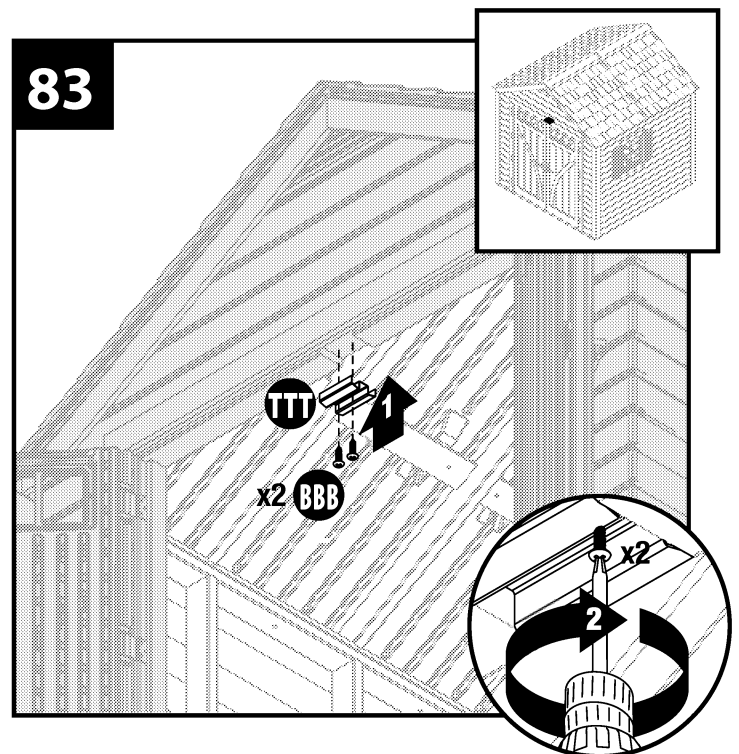
Insert angle ends of each rod (LLL) into clips (SSS) on top and bottom interior of right door (V).



On interior of right door handle, place one washer (WWW) on each actuator pin, followed by the loose end of each rod (LLL), one more washer (WWW) and one nylon thumb nut (XXX).

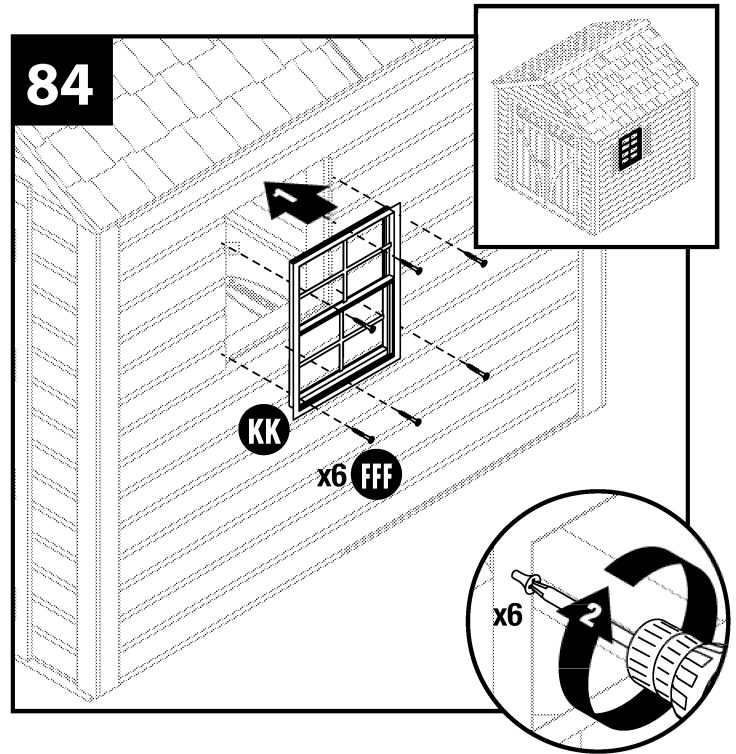


Attach the header latch plate (TTT) to the center of the door header using (2) #8 x 5/8" pan head screws (BBB).



# Window Installation

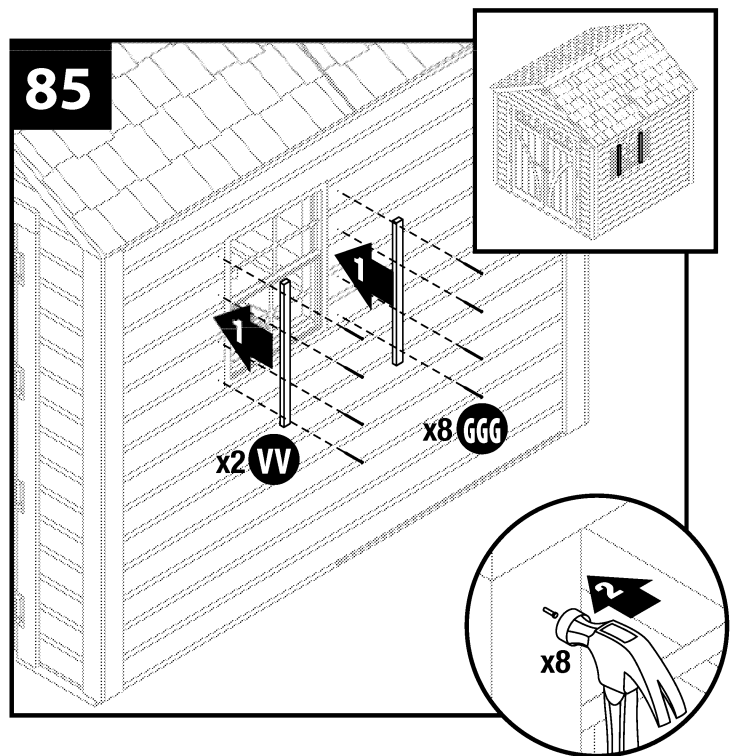
Windows are assembled through the window openings from the outside of the shed. Screw each window (KK) in place through the flange around the window using (6) #8 x 1 1/4" wood screws (FFF).



# Window Trim Installation *Open Box A for materials needed in this section.*

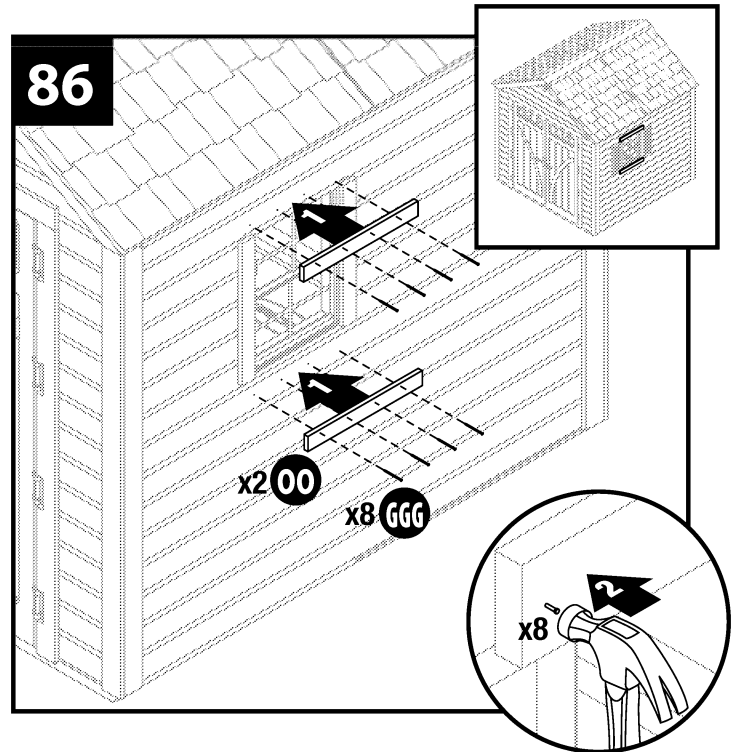
Add vertical window trim pieces (VV), covering the heads of the screws used for holding the windows in place. Make sure the tops of the vertical pieces are even, using the siding and window frame as guides. Use the 2" 6-Penny finish nails (GGG).

**Note:** The vertical window trim pieces are the narrower of the window trim boards.



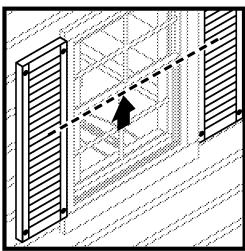
Add the horizontal window trim pieces (OO) above and below the window. The top piece will rest on the two vertical trim parts. The lower piece will butt up to the bottom surface of the vertical window trim pieces. Use (8) 2" 6-Penny finish nails (GGG).

Repeat the horizontal and vertical trim steps for the other side of the shed.



## Final Installation *Open Box A for materials needed in this section.*

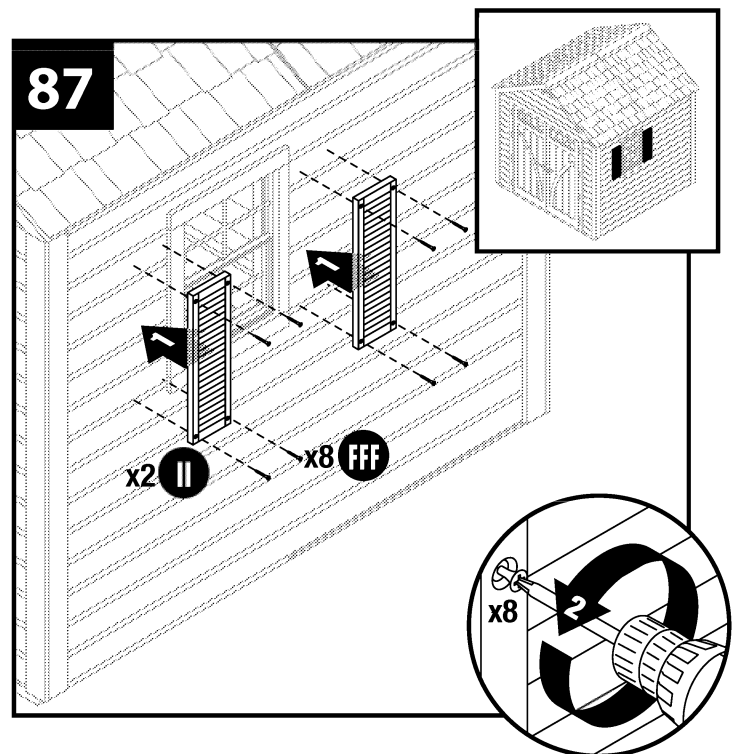
The shutters (II) are added to either side of the window opening. The shutters should be square to and centered with, the window opening.



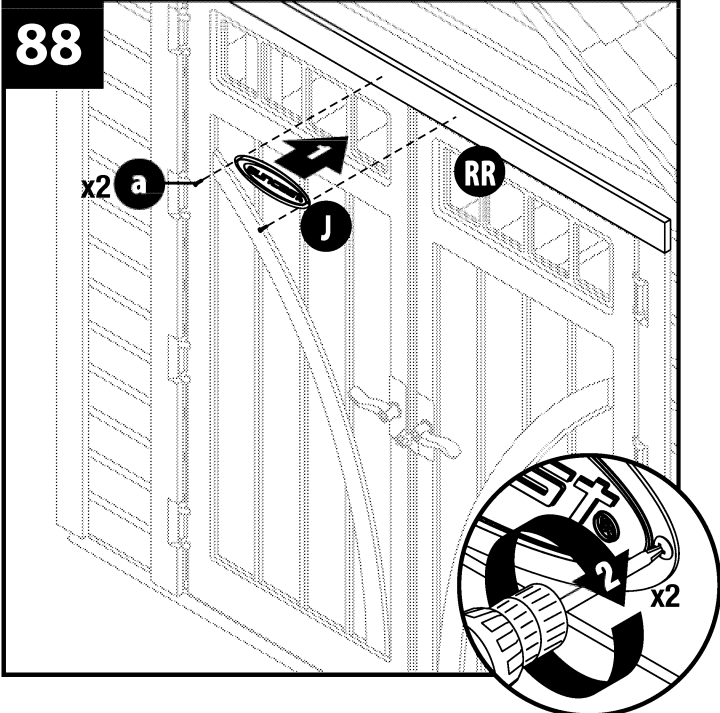
**Caution:** Do not screw into the thin part of the siding. Move the shutter up or down until the holes line up with a full piece of siding.

The shutters are screwed to the siding using (8) #8 x 1 1/4" wood screws (FFF).

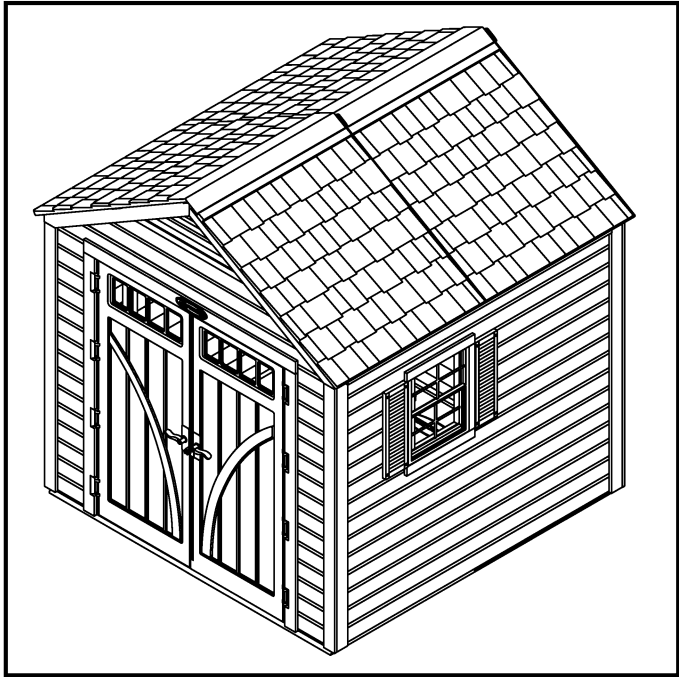
Repeat the shutter step for the other side of the shed.



Center the Suncast logo plate (J) on the door top trim (RR) and secure with (2) hi-riser screws (a).



Complete shed.



## Warranty

Suncast® Corporation, 701 North Kirk Road, Batavia, Illinois 60510 (Manufacturer) warrants to the original purchaser only that the enclosed product is free from material and workmanship defects under normal, household use at time of purchase. Defective product or part must be returned, freight prepaid, to the Manufacturer's address (Attention: Parts Department) along with proof of purchase. Upon receipt of the aforesaid, the defective product or part will be repaired or replaced at the option of the Manufacturer without charge to the original purchaser and returned to the customer freight collect.

This limited warranty does not apply to damage resulting from accident, neglect, misuse, commercial use, alteration, operation not in accordance with instruction or repairs made or attempted by unauthorized persons.

This limited warranty applies only to the product enclosed and does not apply to accessory parts.

THE MANUFACTURER'S LIABILITY HEREUNDER IS LIMITED SOLELY TO THE REPAIR OR REPLACEMENT OF THE DEFECTIVE PRODUCT OR PART AND THE MANUFACTURER SHALL IN NO EVENT BE LIABLE FOR ANY INCIDENTAL OR CONSEQUENTIAL DAMAGES WHICH MAY RESULT FROM ANY DEFECT IN MATERIAL OR WORKMANSHIP OR FROM THE BREACH OF ANY EXPRESS OR IMPLIED WARRANTY.

Some states do not allow the exclusion or limitation of incidental or consequential damages, or a limitation of how long an implied warranty lasts, so the above limitations may not apply to you. This warranty gives you specific legal rights, and you may have other rights which may vary from state to state.

## Factory Repairs

Repair service and assembly assistance are available direct from the factory, not from the place of purchase. If this product requires repair, please call or write us. Warranty repair parts are sent out free of charge. If the product is out of warranty, we will inform you of the charges prior to sending out the parts. VISA and MasterCard are accepted on phone orders. For assembly or replacement parts information:

Replacement Parts  
Suncast Corporation  
701 North Kirk Road  
Batavia, IL 60510 USA

Outside Illinois, but within North America  
800-846-2345  
24 hour service / 7 days a week

Within Illinois, or outside North America  
630-879-2050  
visit: [www.suncast.com](http://www.suncast.com)  
email: [parts@suncast.com](mailto:parts@suncast.com)

PATENTS  
Patents pending.

Quality Control Number