

Gas Drop-In, Deep Sump Cooktop

E30GC70FSS



4 Sealed Burner Configuration

Our Power Burners™ can bring a large stockpot to boil in just moments. A standard burner, along with the Precision Burner™, work in concert with the Power Burners™ to create awesome power in a small space. The burners are sealed for easy cleanup.



Professional-Style Controls

The large, surface-mounted knobs provide easy and accurate settings. Optional black knobs available.



Continuous Grates

Designed for cooking multiple dishes at varying temperatures on a single cooktop. Continuous grates spread weight over a broad area, providing a stable cooking surface.



Deep Sump Cooktop

The deep sump design of this cooktop contains spills for easy cleanup and creates a countertop-level cooking surface that simplifies maneuvering of oversized pots and pans.

30" GAS DROP-IN, DEEP SUMP COOKTOP

Configuration	4 Sealed Burners
---------------	------------------

FEATURES

Deep Sump Formed Stainless Steel Platform	Yes
Stainless Steel Finish Knobs	4
Sealed Power Burner™ (BTU)	1 (17,000)
Sealed Power Burner™ (BTU)	1 (16,000)
Sealed Burner (BTU)	1 (9,500)
Sealed Precision Burner™ (BTU)	1 (5,000 – 750)
Linear Flow Burner Valves	Yes
Electronic Ignition	Yes
Continuous Grates	2

ACCESSORIES

Granite Countertop Installation Kit – PN# 903103-9010	Optional
Grill/Griddle – PN# 318251603	Optional
Wok Ring – PN# 318254301	Optional
Simmer Plate – PN# 318254200	Optional
Black Burner Knob Kit – PN# 318242222	Optional

SPECIFICATIONS

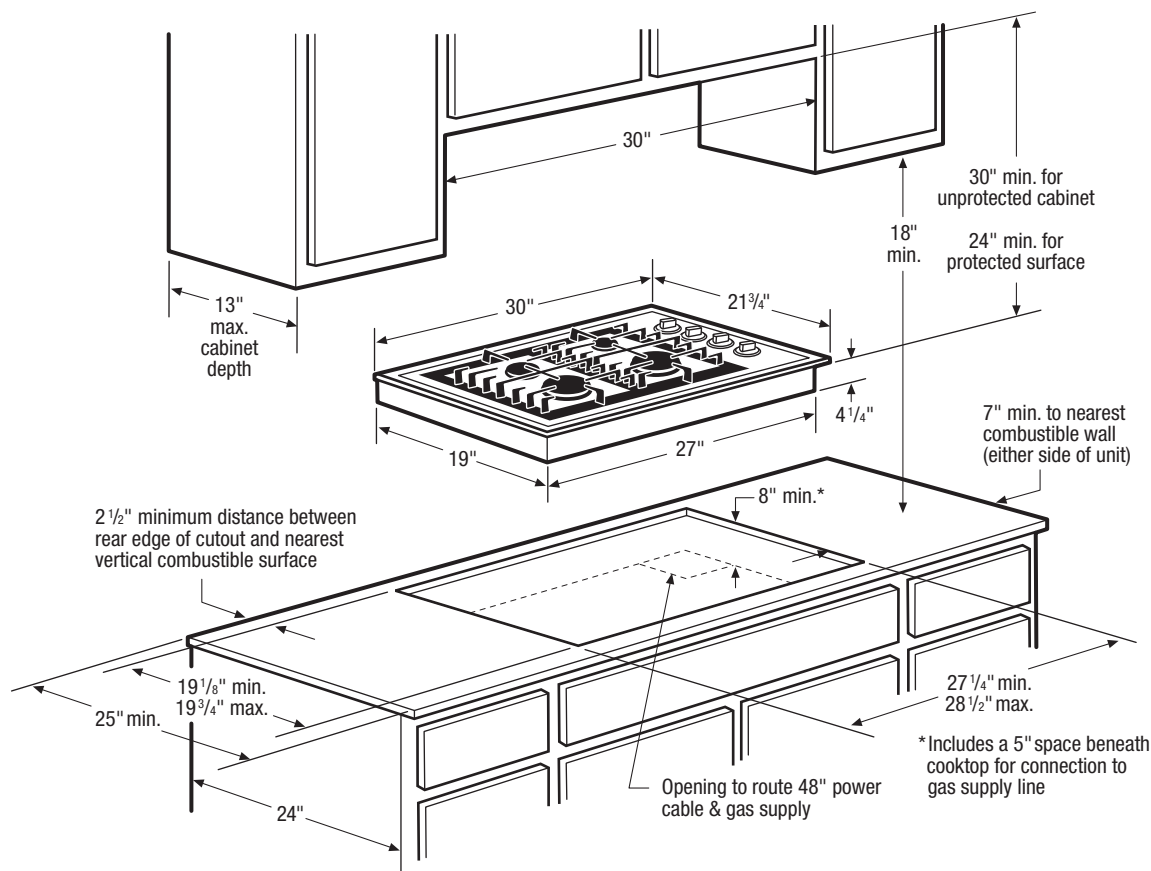
Overall Exterior Dimensions –	
Height	4-1/4"
Width	30"
Depth	21-3/4"
Gas Inlet/Power Supply Location	Right Rear
LP Gas Conversion Kit	Included
Voltage Rating	120V/1.2W/60Hz/15A
Connected Load (kW Rating) @ 120 Volts‡	0.001
Electrical Cable	Included
Approved for Single Oven Combination Installation*	Yes
Approved for Downdraft Vent Combination Installation*	Yes
Shipping Weight (Approx.)	48 Lbs.

‡ For use on adequately wired 120V, dedicated circuit having 2-wire service with a separate ground wire. Appliance must be grounded for safe operation.

* Approved to be used over any Electrolux ICON® Single Wall Oven and in combination with an Electrolux ICON® Downdraft Vent.

NOTE: Always consult local and/or national electric and gas codes. Refer to Product Installation Guide for detailed installation instructions on the web at electroluxicon.com.

Specifications subject to change.



30" Gas Drop-In, Deep Sump Cooktop Specifications

- Product Weight – 43 Lbs.
- Voltage Rating – 120V / 60Hz / 15 Amps
- Connected Load (kW Rating) @ 120 Volts = 0.001 kW
(For use on adequately wired 120V, dedicated circuit having 2-wire service with a separate ground wire. Appliance must be grounded for safe operation.)
- Amps @ 120 Volts = 0.008 Amps
- Always consult local and/or national electric and gas codes.
- Recommended location for grounded 120V outlet is on rear wall in an 8" wide by 10" high area, positioned 22" above floor surface and 12" to right side of cooktop centerline. Access to underside of cooktop and junction box must be provided for inspection and service.
- Cooktop ships with 3/4" factory regulator.
- LP Gas conversion kit supplied.
- Overhead cabinetry should not exceed a 13" maximum depth.
- Allow 30" minimum clearance between top of cooktop and bottom of unprotected wood or metal overhead cabinetry.
- Absolute minimum horizontal distance between overhead cabinets installed to either side of appliance must be no less than maximum width of appliance.
- Allow 24" minimum clearance when bottom of wood or metal overhead cabinet is protected by not less than 1/8" flame-retardant millboard covered with not less than No. 28 MGS sheet steel, 0.015" stainless steel, 0.024" aluminum or 0.020" copper.

- Allow 2-1/2" minimum distance between rear edge of cutout to nearest combustible surface above countertop.
- Allow 7" minimum clearance from edge of cooktop to nearest combustible wall on either side of unit.
- Drawers cannot be installed beneath this cooktop.
- To reduce risk of fire when using overhead cabinetry, install vent hood that projects horizontally a recommended minimum of 5" beyond bottom of cabinets.
- Gas Drop-In, Deep Sump Cooktop model E30GC70FSS is approved to be used on any Electrolux ICON® Single Wall Oven. (Refer to Gas Cooktop Installation Over 30" Electric Single Wall Oven Specifications page on web.)
- Gas Drop-In, Deep Sump Cooktop model E30GC70FSS is approved to be used in combination with an Electrolux ICON® 30" Downdraft Vent. (Refer to Drop-In Cooktop/Downdraft Vent Countertop Preparation page on web for detailed installation specifications.)

Note: For planning purposes only. Refer to Product Installation Guide on the web at electroluxicon.com for detailed instructions.

Optional Accessories

- Granite Countertop Installation Kit – (PN # 903103-9010).
- Grill/Griddle – (PN # 318251603).
- Simmer Plate – (PN # 318254200).
- Wok Ring – (PN # 318254301).
- Black Burner Knob Kit – (PN # 318242222).

Electrolux Major Appliances, N.A.

USA • 250 Bobby Jones Expressway • Augusta, GA 30907 • 1-877-4electrolux (1-877-435-3287) • electroluxicon.com
CANADA • 5855 Terry Fox Way • Mississauga, ON L5V 3E4 • 1-800-265-8352 • electroluxicon.ca



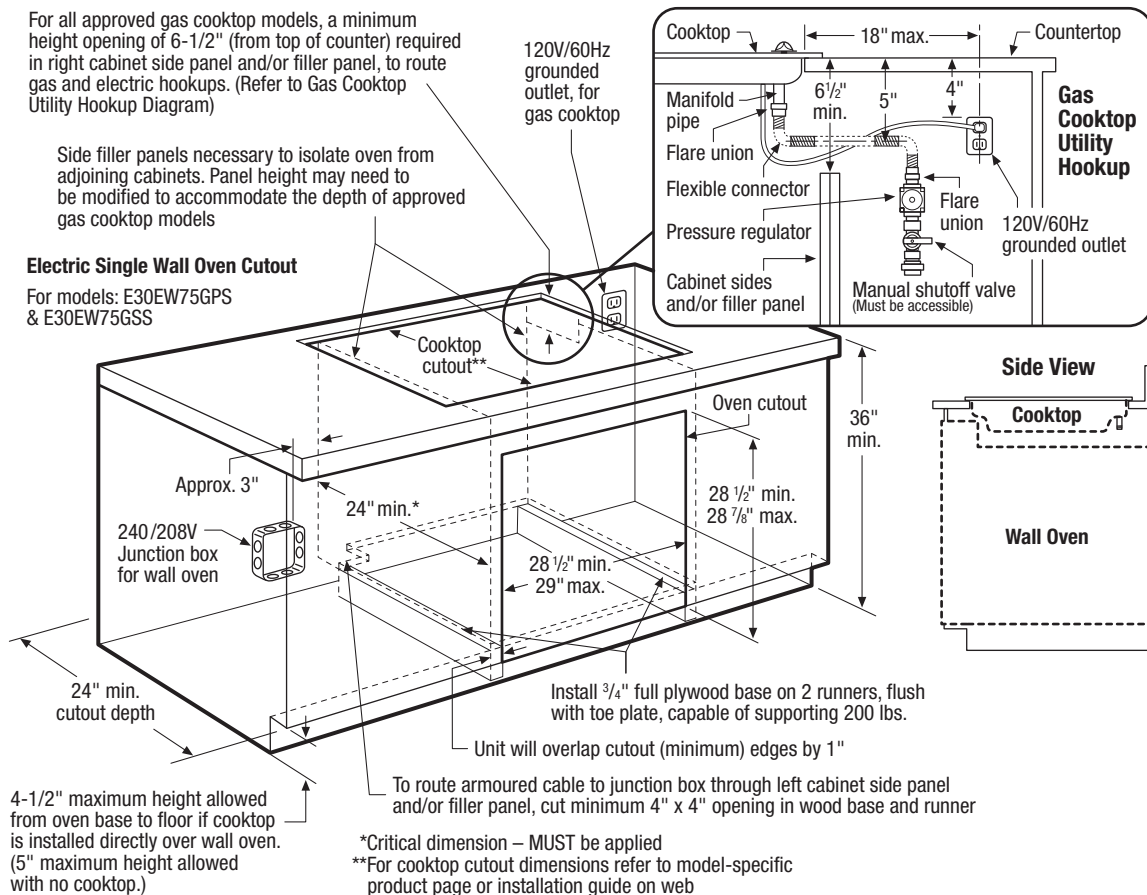
Gas Cooktop Installation Over 30" Electric Single Wall Oven

For all approved gas cooktop models, a minimum height opening of 6-1/2" (from top of counter) required in right cabinet side panel and/or filler panel, to route gas and electric hookups. (Refer to Gas Cooktop Utility Hookup Diagram)

Side filler panels necessary to isolate oven from adjoining cabinets. Panel height may need to be modified to accommodate the depth of approved gas cooktop models

Electric Single Wall Oven Cutout

For models: E30EW75GPS & E30EW75GSS



30" Electric Single Wall Oven Under-Counter Installation Specifications

- Product Weights – (E30EW75GPS) 178 Lbs. / (E30EW75GSS) 175 Lbs.
- Single phase 3- or 4-wire cable, 120/240 or 120/208 Volt, 60 Hertz AC only electrical supply with ground required on separate circuit fused on both sides of line.
- Connected Load (kW Rating) @ 240/208 Volts = 4.0/3.0kW
- Amps @ 240/208 Volts = 16.6/14.4 Amps
- Always consult local and/or national electric codes.
- Minimum 23-1/4" clearance for oven door depth when open.
- Minimum 24" deep cutout dimension is critical for proper installation, to ensure that oven's faceplate will fit flush against cabinet front.
- Full oven base of solid plywood or similar material required, capable of supporting 200 Lbs. Install over two runners and flush with toe plate.
- Base must be level and cabinet front must be square with finish-cut bottom edge.
- Side filler panels necessary to isolate oven from adjoining cabinets.
- Allow 5" maximum height from oven base to floor, if NO cooktop is installed directly over wall oven.

Gas Cooktop Installation Over 30" Electric Single Wall Oven Specifications

Electrolux ICON® Single Wall Oven models E30EW75GPS and E30EW75GSS are approved to be used beneath Electrolux ICON® gas cooktop models E36GC70FSS and E30GC70FSS (gas cooktop models NOT approved for use in this installation are E36GC75GSS, E48GC76EPS, E36GC76GPS and E30GC74GPS).

For detailed Gas Cooktop installation, refer to model-specific product page and installation guide on web.

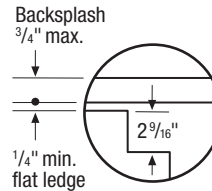
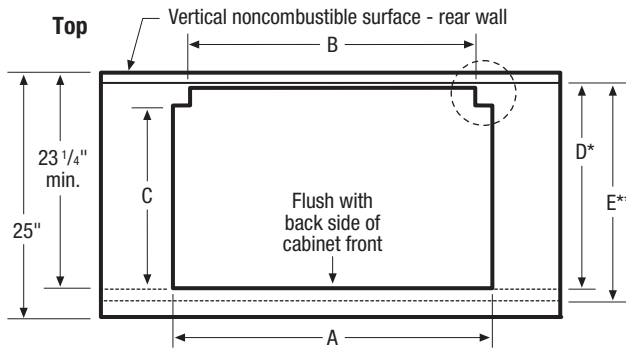
- Side filler panels necessary to isolate oven from adjoining cabinets. Panel height may need to be modified to accommodate the depth of approved gas cooktop models.
- Minimum height opening of 6-1/2" (from top of counter) required in right cabinet side panel and/or filler panel, to route gas and electric hookups.
- Allow 4-1/2" maximum height from oven base to floor, if cooktop is installed directly over wall oven.

Note: For planning purposes only. Refer to Product Installation Guide on the web at electroluxicon.com for detailed instructions.

Electrolux Major Appliances, N.A.

USA • 250 Bobby Jones Expressway • Augusta, GA 30907 • 1-877-4electrolux (1-877-435-3287) • electroluxicon.com
CANADA • 5855 Terry Fox Way • Mississauga, ON L5V 3E4 • 1-800-265-8352 • electroluxicon.ca

Countertop Preparation for 30" & 36" Drop-In Cooktop/Downdraft Vent Installation



For detailed cooktop and downdraft vent installation specifications, refer to model-specific product page and installation guide on web

* Overall flat ledge behind backside of cabinet front

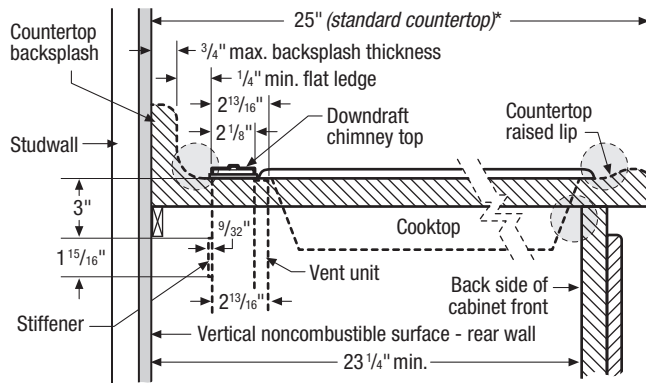
** Minimum flat surface required to fit top surface of cooktop and downdraft vent cap

E30DD75ESS/30" Cooktop Cutout Dimensions

30" Cooktops	A	B	C	D	E
E30EC65ESS	30"	27 3/4"	20 3/8"	23 3/16"	24 3/16"
E30EC70FSS	30"	27 3/4"	20 1/4"	23 1/16"	24 1/16"
E30GC64ESS	27 1/2"	27 3/4"	19 7/8"	22 11/16"	23 11/16"
E30GC70FSS	28 1/2"	27 3/4"	19 3/4"	22 9/16"	23 9/16"
E30IC75FSS	29 3/4"	27 3/4"	20 1/2"	23 5/16"	24 5/16"

E36DD75ESS/36" Cooktop Cutout Dimensions

36" Cooktops	A	B	C	D	E
E36EC65ESS	36"	33 3/4"	20 3/8"	23 3/16"	24 3/16"
E36EC70FSS	36"	33 3/4"	20 1/2"	23 9/16"	24 9/16"
E36GC65ESS	33 3/4"	33 3/4"	19 7/8"	22 11/16"	23 11/16"
E36GC70FSS	34 1/2"	33 3/4"	19 3/4"	22 9/16"	23 9/16"
E36IC75FSS	36"	33 3/4"	20 1/2"	23 5/16"	24 5/16"



Cooktop Installation Note:

To ensure proper installation, refer to model-specific installation guide on web for cooktop dimensions, cutout dimensions and cabinet requirements. Due to varying cooktop depths, tight fit is possible between cooktop and vent.

Countertop Preparation Note:

Be aware of areas of potential interference called out in illustration. Countertop with raised lip and/or backsplash may not allow enough flat area for proper installation, 2-13/16" of flat countertop required behind cooktop. No gap required between back of cooktop and front of downdraft trim piece.

*Standard 25" countertop depth may NOT be adequate for some cooktop/vent installations, especially with backsplash.

Drop-In Cooktop/Downdraft Vent Countertop Preparation Specifications

- For detailed Drop-In Cooktop installation, refer to model-specific product page and installation guide on web. Plan installation so that all required minimum clearances between cooktop, overhead cabinets and adjacent vertical walls are provided.
- Position cooktop/vent cutout so all required minimum clearances are met.
- Minimum flat countertop area must meet or exceed combined overall width and depth as shown. Standard 25" countertop depth may NOT be adequate for some cooktop/vent installations, especially with backsplash.
- Separate circuits required for cooktop and vent. (Refer to product-specific electrical specifications.)
- Always consult local and/or national electric and gas codes. Check local building codes for installation requirements, as they may vary per locale.

Downdraft Vent Specifications

- For detailed Downdraft Vent installations, refer to model-specific product page and installation guide on web.
- Voltage Rating - 120V/ 60Hz/ 15 Amps
- Connected Load (kW Rating) @ 120 Volts = 1.0kW (For use on adequately wired 120V, dedicated circuit having 2-wire service with a separate ground wire. Appliance must be grounded for safe operation.)

- Amps @ 120 Volts = 8.0 Amps
- Vent unit outside of building only.
- Vent must be installed in vertical orientation only.
- 1,600 CFM remote exhaust blower (PN# 5304444802) included with vent - shipped in separate box.
- Do not use flexible duct. Round duct instead of rectangular duct recommended, especially when elbows are required.
- When multiple elbows are necessary, ensure a minimum of 24" of straight duct between any two elbows.
- Thermal breaks such as short section of nonmetallic duct, should be used in areas of extreme cold.
- For most efficient airflow exhaust, use a straight run or as few elbows as possible.
- Cold weather installations should have additional backdraft damper installed.
- Installing a Downdraft Vent in combination with any gas cooking surface will affect optimum burner efficiency.

Note: For planning purposes only. Refer to Product Installation Guide on the web at electroluxicon.com for detailed instructions.

Electrolux Major Appliances, N.A.

USA • 250 Bobby Jones Expressway • Augusta, GA 30907 • 1-877-4electrolux (1-877-435-3287) • electroluxicon.com
CANADA • 5855 Terry Fox Way • Mississauga, ON L5V 3E4 • 1-800-265-8352 • electroluxicon.ca

High standards of quality at Electrolux Home Products, Inc. mean we are constantly working to improve our products. We reserve the right to change specifications or discontinue models without notice.