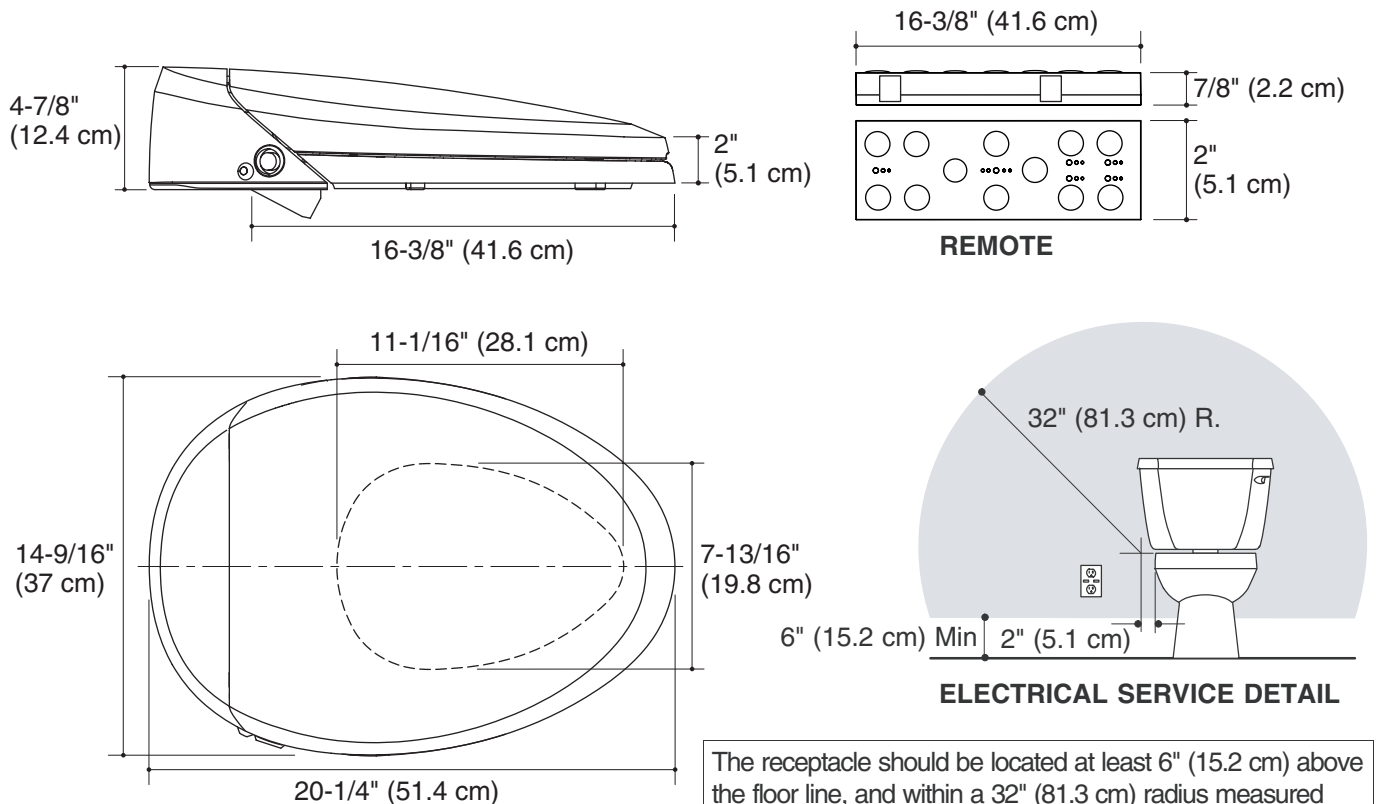


Product Information

Fixture:	
Water supply pressure	20 psi (1.38 bar) - 80 psi (5.52 bar)
Electrical rating	120 VAC / 60 Hz / 1260 W
Power cord length	46" (1.17 m)
A dedicated circuit protected with a Class A Ground-Fault Circuit-Interrupter (GFCI) or Earth-Leakage Circuit Breaker (ELCB) is required.	

Installation Notes

Install this product according to the installation guide.



The receptacle should be located at least 6" (15.2 cm) above the floor line, and within a 32" (81.3 cm) radius measured 2" (5.1 cm) to the right of the toilet ledge, as shown.