

Product Information

Applicable product:	
5' (1.5 m) bath – drop-in	K-1130
Fixture*:	
Bathing well:	
Basin area, bottom	42" (106.7 cm) x 23-1/2" (59.7 cm)
Basin area, top	55-1/8" (140 cm) x 27-1/8" (68.9 cm)
Weight	75 lbs (34 kg)
To overflow:	
Water depth	17-1/8" (43.5 cm)
Capacity	81 gal (306.6 L)
* Approximate measurements for comparison only.	
Drop-in cut-out	
	59-1/2" (151.1 cm) x 31-1/2" (80 cm)
Required accessories:	
Clearflo slotted overflow brass bath drain OR	K-7271
Clearflo slotted overflow bath drain – PVC pipe	K-7272
Optional accessories:	
Undermount kit	K-590

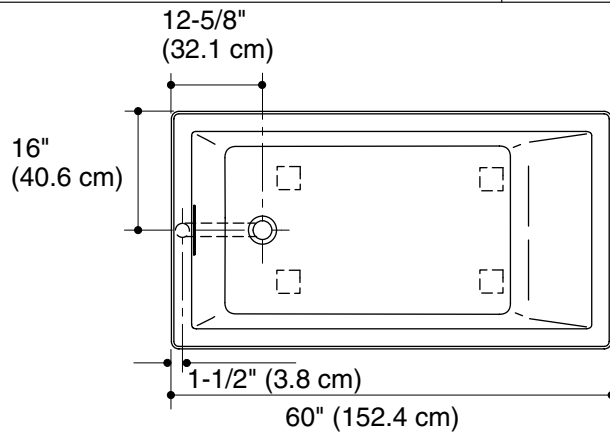
Installation Notes

Install this product according to the installation guide.

Floor support under bath must provide for a minimum of 58 lbs/square foot (284 kg/square meter) loading.

The hot water supply should be 70% of the capacity of the bath or greater. Installations will vary.

Fixture conforms to ANSI Standard Z124.1.2. All dimensions are nominal.



No change in measurements if connected with required drain illustrated. (K-7272)

