

ITEM # 0538510  
**3 DRAWER  
WORKBENCH**  
MODEL #3DSSWM2013

Français p. 16

Español p. 31

KOBALT® and the K Design® are registered trademarks of LF, LLC. All Rights Reserved.

**ATTACH YOUR RECEIPT HERE**

Serial Number \_\_\_\_\_ Purchase Date \_\_\_\_\_



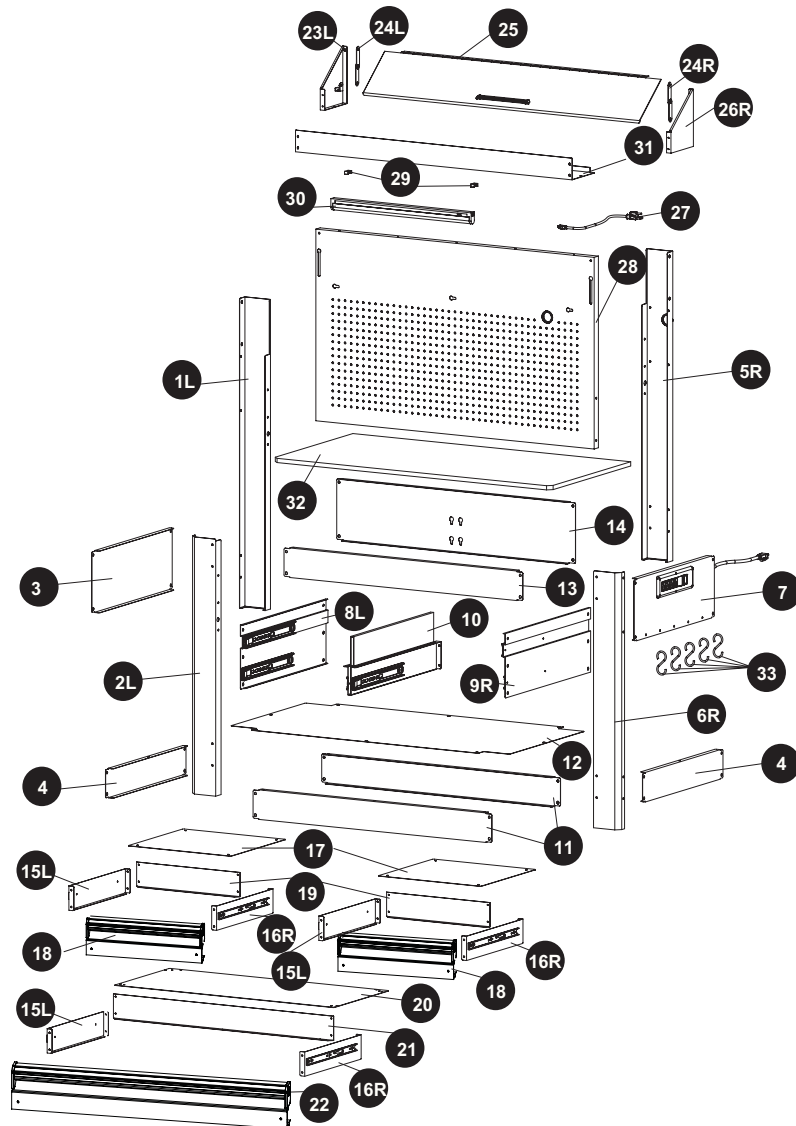
**Questions, problems, missing parts?** Before returning to your retailer, call our customer service department at 1-888-3KOBALT (1-888-356-2258), 8 a.m. - 8 p.m., EST, Monday - Friday.

## TABLE OF CONTENTS

---

Package Contents . . . . .	3
Hardware Contents . . . . .	4
Safety Information . . . . .	5
Preparation. . . . .	5
Assembly Instructions . . . . .	6
Care and Maintenance. . . . .	14
Troubleshooting . . . . .	14
3-Year Limited Warranty . . . . .	15
Replacement Parts List . . . . .	15

## PACKAGE CONTENTS

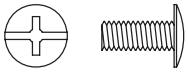


PART	DESCRIPTION	QUANTITY	PART	DESCRIPTION	QUANTITY
1L	Rear leg (left)	1	18	Drawer front (small)	2
2L	Front leg (left)	1	19	Drawer back (small)	2
3	Side panel (left)	1	20	Drawer bottom panel (large)	1
4	Side frames (left & right)	2	21	Drawer back (large)	1
5R	Rear leg (right)	1	22	Drawer front (large)	1
6R	Front leg (right)	1	23L	Storage cage side panel (left)	1
7	Side panel (right)	1	24L	Hinge (left)	1
8L	Drawer slide panel (left)	1	24R	Hinge (right)	1
9R	Drawer slide panel (right)	1	25	Storage cage lid	1
10	Slide support (intermediate)	1	26R	Storage cage side panel (right)	1
11	Bottom frame (front & rear)	2	27	Light power cord	1
12	Base panel	1	28	Pegboard	1
13	Upper panel	1	29	Light support bracket	2
14	Back panel	1	30	Light	1
15L	Drawer side panel (left)	3	31	Storage cage bottom panel	1
16R	Drawer side panel (right)	3	32	Wooden table top	1
17	Drawer bottom panel (small)	2	33	Hanging hook	5

## HARDWARE CONTENTS (shown actual size)

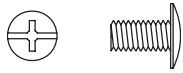
---

AA



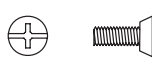
M6x10 mm Screw  
Qty. 60

BB



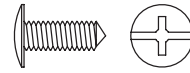
M4x6 mm Screw  
Qty. 44

CC



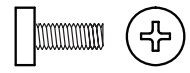
M4x8 mm Screw  
Qty. 2

DD



M3.2x5 mm Screw  
Qty. 12

EE



M6x10 mm Screw  
Qty. 12



### SAFETY INFORMATION

---

Please read and understand this entire manual before attempting to assemble, operate or install the product.



**DANGER:** ELECTRICAL SHOCK HAZARD. Do not plug the cord into an outlet with wet hands. Do not use this tool chest near a bathtub, shower or swimming pool. Follow this manual for recommended usage.



**WARNING:** Read all safety warnings and all instructions. Failure to follow all warnings and instructions may result in electric shock, fire and/or serious injury. Save all warnings and instructions for future use.



**WARNING:** KEEP CHILDREN AWAY from item at all times.



**WARNING:** DO NOT stand on this product. You may fall which could cause personal injury and product damage.



**WARNING:** BE CAREFUL when opening more than one drawer. The item may become unstable and tip over causing personal injury and/or product damage.



**WARNING:** DO NOT step in the drawers. You may fall which may cause personal injury or product damage.

**CAUTION:** DO NOT open more than one drawer at a time.

**CAUTION:** DO NOT mount this product on a truck bed or any other moving object.

**CAUTION:** DO NOT alter this product in any manner. For example, do not weld external lock bars or attach electrical equipment.

**CAUTION:** The maximum weight for each drawer should NOT exceed 100 lbs.

### PREPARATION

---

Before you begin the assembly of this product, ensure that all parts are present. Compare all parts with the package contents list and hardware contents list above. If any part is missing or damaged, do not attempt to assemble the product.

**Estimated Assembly Time:** 120 minutes

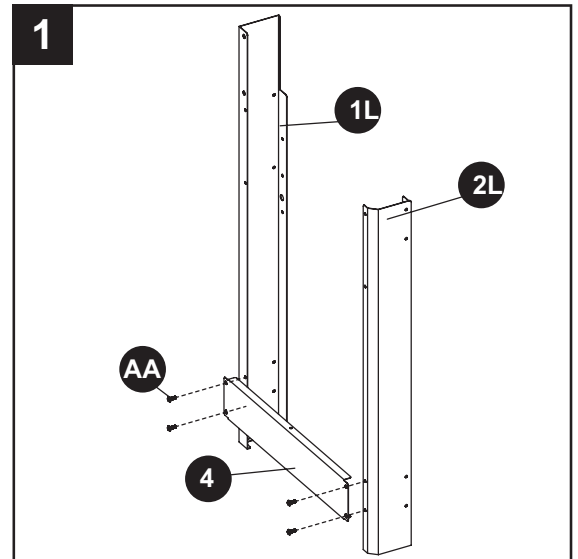
Tools Required for Assembly (not included): Phillips Screwdriver

## ASSEMBLY INSTRUCTIONS

**Important:** Do not overtighten the screws as this may result in stripping them. After the workbench is completely assembled, fully tighten each screw.

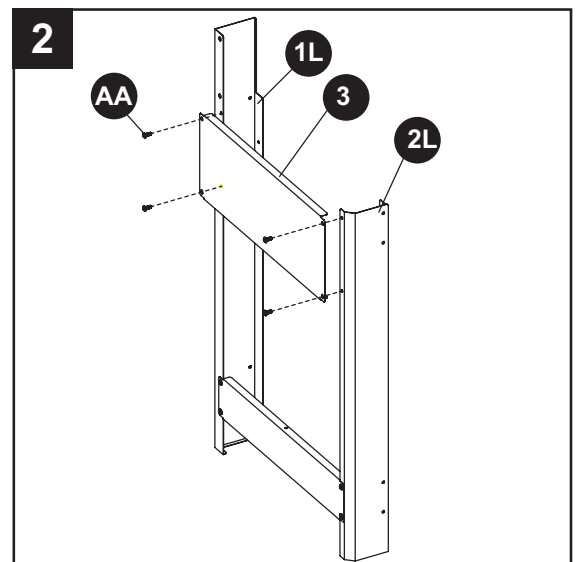
1. Attach the left rear leg (1L) and the left front leg (2L) to a side frame (4) using screws (AA). On the side frame (4), ensure the edge with the hole is facing up.

### Hardware Used



2. Attach the left side panel (3) using screws (AA).

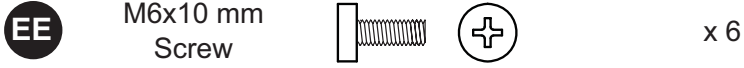
### Hardware Used



## ASSEMBLY INSTRUCTIONS

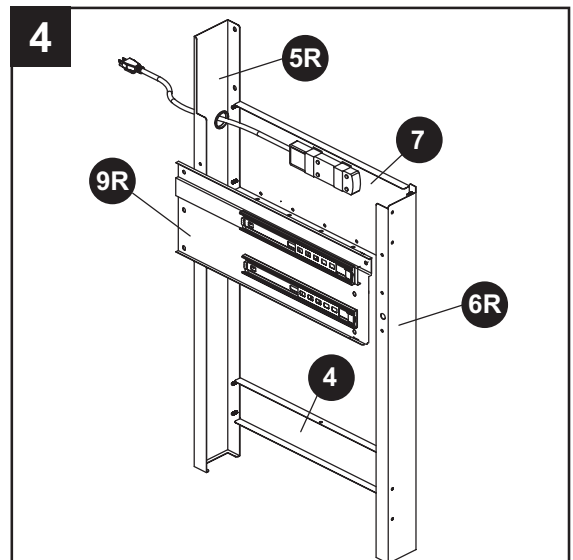
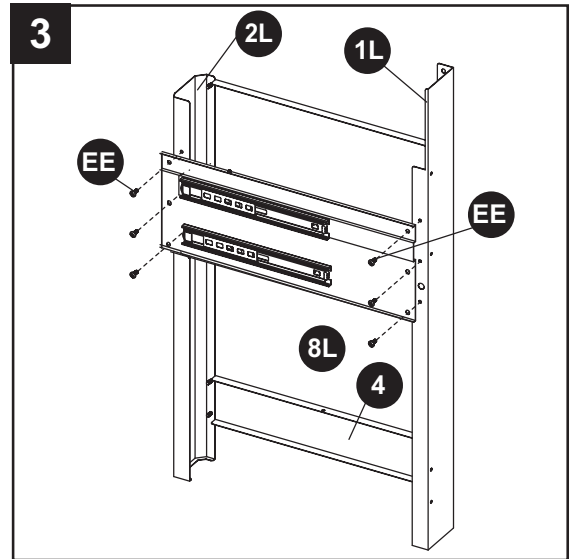
3. Align the left drawer slide panel (8L) with the pre-drilled holes, ensuring the slides are toward the front of the unit. Attach using screws (EE).

### Hardware Used



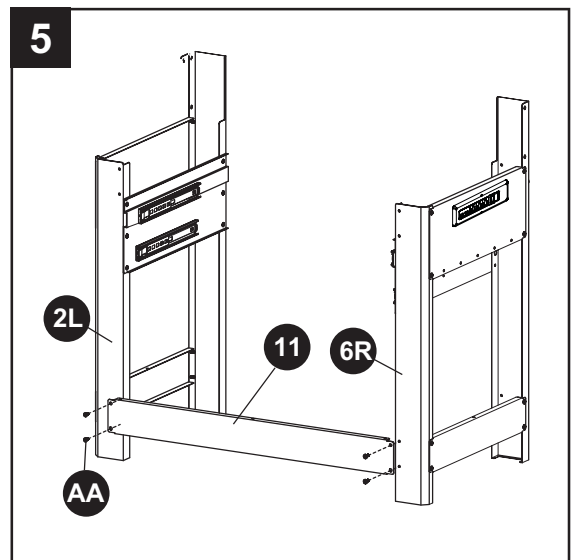
Repeat steps 1 through 3 for the right legs (5R and 6R), right side panel (7) and drawer slide panel right (9R).

4. Feed the power cord from the power strip portion of the right side panel (7) through the grommet in the right rear leg (5R).



5. Attach a bottom frame (11) to the front of the left and right front legs (2L and 6R) using screws (AA). Ensure the holes on the bottom frame (11) are facing up.

### Hardware Used



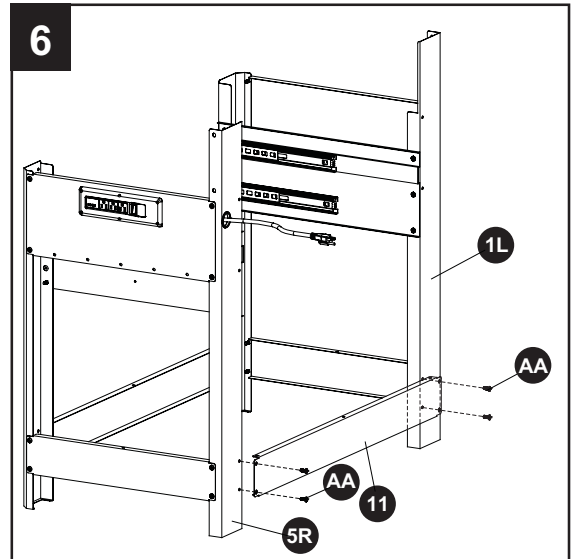
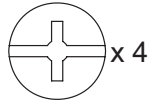
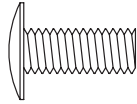
## ASSEMBLY INSTRUCTIONS

6. Attach a bottom frame (11) to the front of the left and right rear legs (1L and 5R) using screws (AA). Ensure the holes on the bottom frame (11) are facing up.

### Hardware Used

AA

M6x10 mm  
Screw

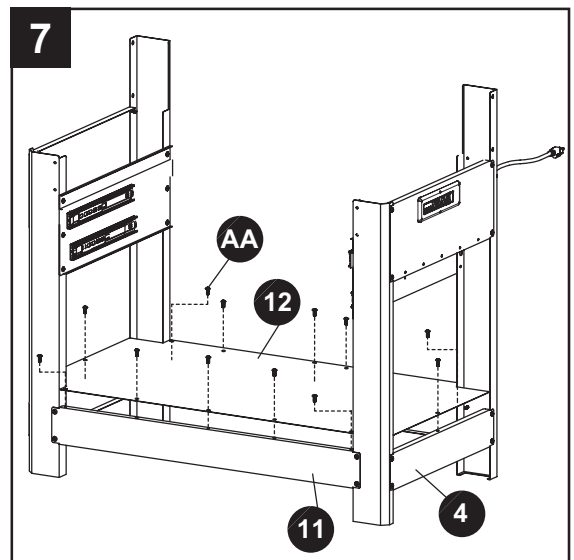
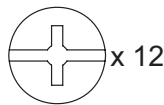
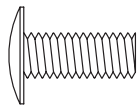


7. Attach the base panel (12) to the bottom frames (11) and side frames (4) using screws (AA).

### Hardware Used

AA

M6x10 mm  
Screw

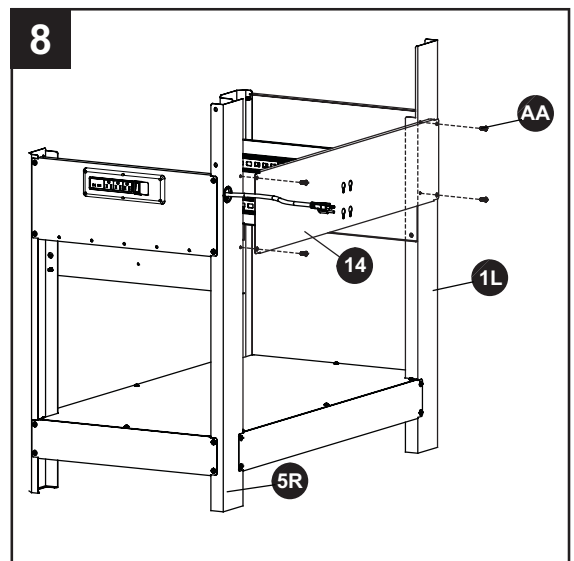
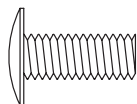


8. Attach the back panel (14) to the left rear leg (1L) and right rear leg (5R) using screws (AA).

### Hardware Used

AA

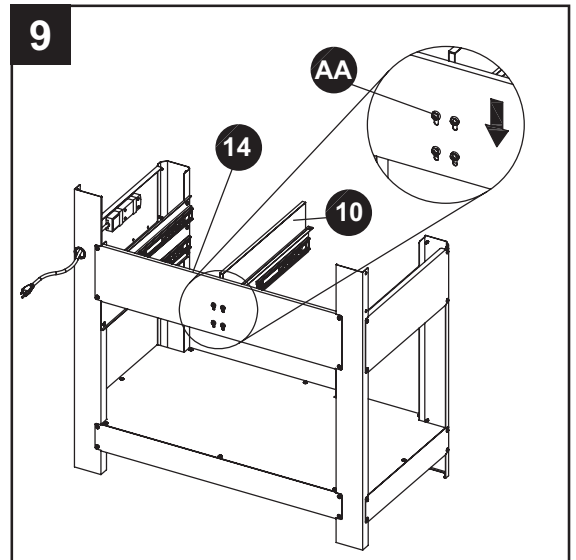
M6x10 mm  
Screw



## ASSEMBLY INSTRUCTIONS

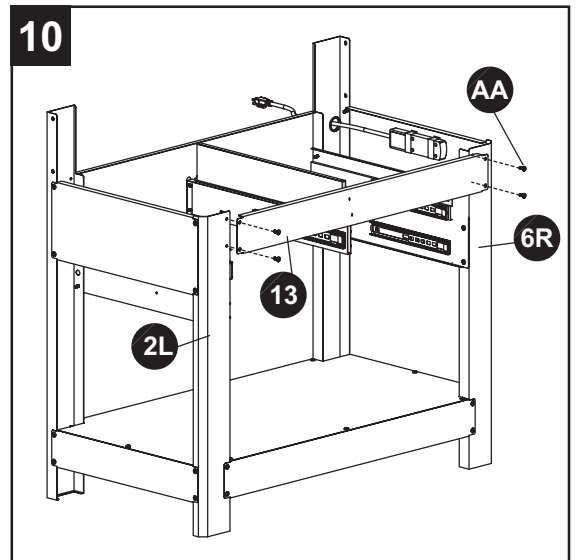
9. Loosely attach screws (AA) to the end of the intermediate slide support (10). Align the screws (AA) with the holes in the back panel (14), insert the screws (AA) into the holes and lower the intermediate slide support (10). Tighten the screws (AA).

### Hardware Used



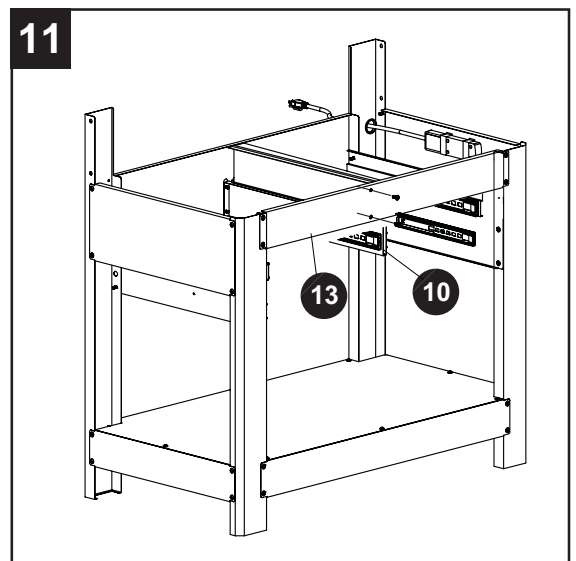
10. Attach the upper panel (13) to the left front leg (2L) and right front leg (6R) using screws (AA).

### Hardware Used



11. Secure the intermediate slide support (10) to the upper panel (13) by inserting screws (AA) through the slide support (10) and into the upper panel (13).

### Hardware Used





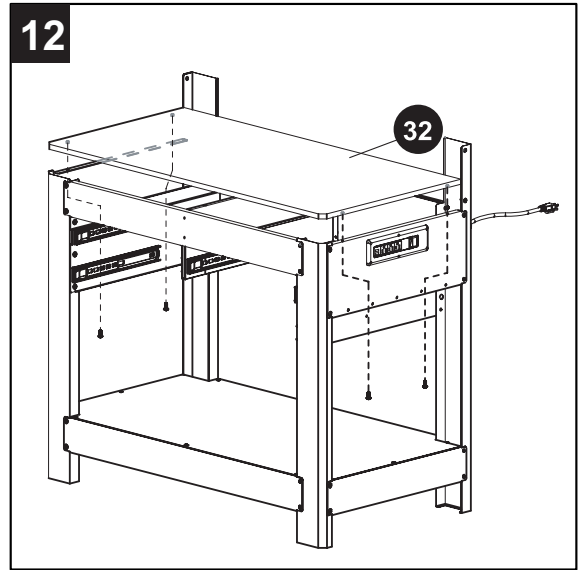


## ASSEMBLY INSTRUCTIONS

12. Placing the work surface (32) on the workbench secure in place using 6 M6x10mm screws.

### Hardware Used

**AA** M6x10 mm Screw   x 4

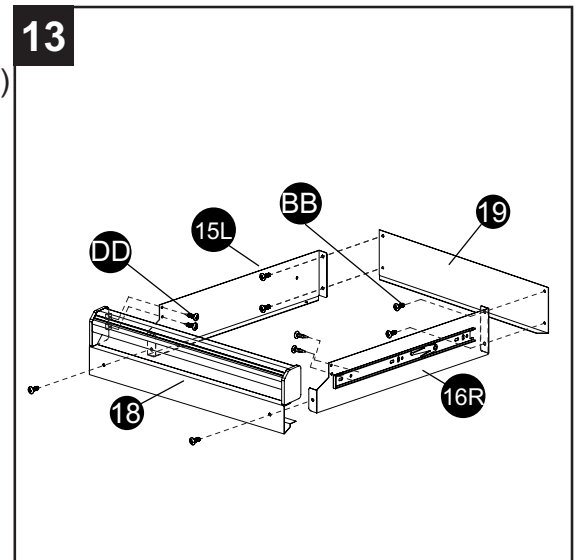


13. Attach the small drawer front (18) to the left drawer side panel (15L) and right drawer side panel (16R) by inserting screws (BB) through the small drawer front (18) and into the side panels (15L and 16R). Insert (DD) screws through parts (15L and 16R) and into sides of drawer front (18). Attach the small drawer back (19) to the left and right drawer side panels (15L and 16R) by inserting screws (BB) through the side drawer panels (15L and 16R) and into the large drawer back (21).

### Hardware Used

**BB** M4x6 mm Screw   x 6

**DD** M3.2x5 mm Screw   x 4



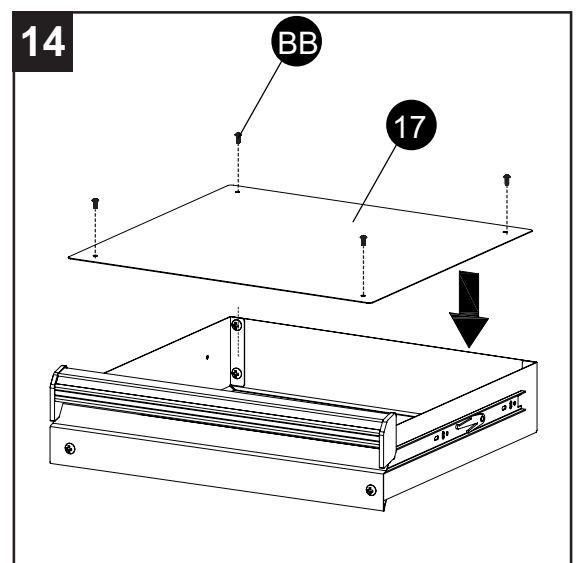
14. Insert a small drawer bottom panel (17) into the drawer assembly and attach with the screws (BB).

**Note:** The additional holes in the drawer bottom are there for drainage in the event of a spill.

### Hardware Used

**BB** M4x6 mm Screw  x 4

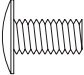

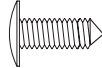

Repeat steps 12 and 13 to assemble the second small drawer. Set the drawers aside. They will be installed later.

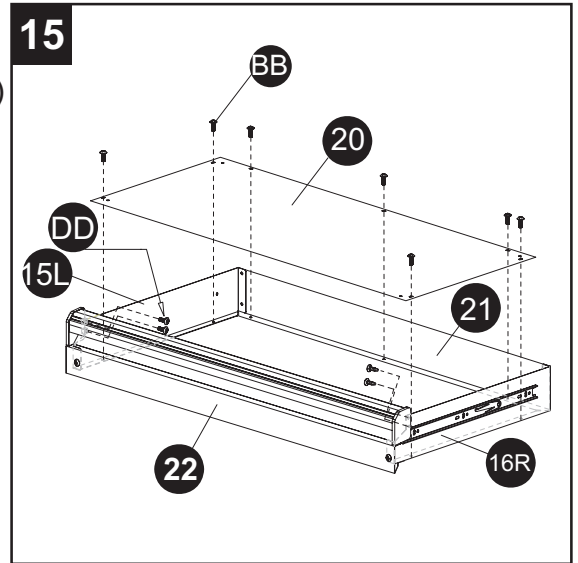


## ASSEMBLY INSTRUCTIONS

15. Attach the large drawer front (22) to the left drawer side panel (15L) and right drawer side panel (16R) by inserting screws (BB) through the large drawer front (22) and into the side panels (15L and 16R). Insert (DD) screws through parts (15L and 16R) and into sides of drawer front (22). Attach the large drawer back (21) to the left and right drawer side panels (15L and 16R) by inserting screws (BB) through the side drawer panels (15L and 16R) and into the large drawer back (21).

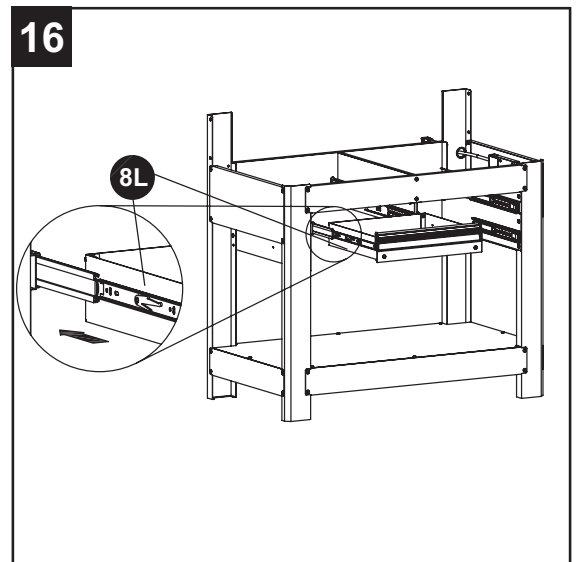
### Hardware Used

<b>BB</b>	M4x6 mm Screw			x 13
<b>DD</b>	M3.2x5 mm Screw			x 4

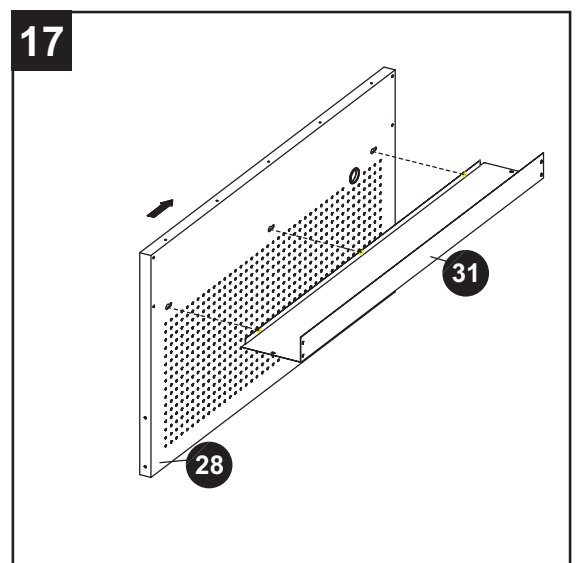


16. Extend the slides located on the drawer slide panels (8L and 9R) to their full extension over the drawer rails. Align the drawer with the extended slides. Insert the extended slides into the slide supports on both sides of the drawer. Without exerting undue pressure on the drawer, slowly and evenly push the drawer into the workbench. Once inserted, completely close the drawer to set the slides in their regular operating position.

**Note:** The drawer will stop initially at the detent on the drawer slide. Apply even pressure against the front of the drawer to engage the detent. Do not slam the drawer shut.  
Repeat this procedure to install the other two drawers.

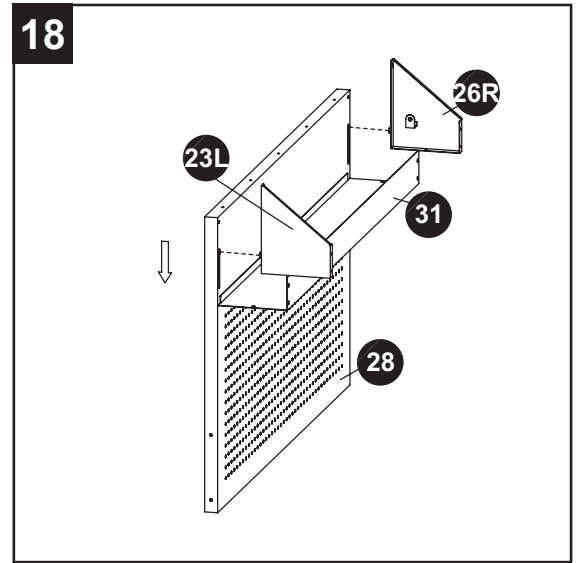


17. Insert the storage cage bottom panel (31) into the three keyhole slots on the front of the pegboard (28). Slide the storage cage bottom panel (31) to the right to lock in place.



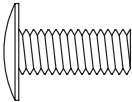

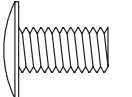

## ASSEMBLY INSTRUCTIONS

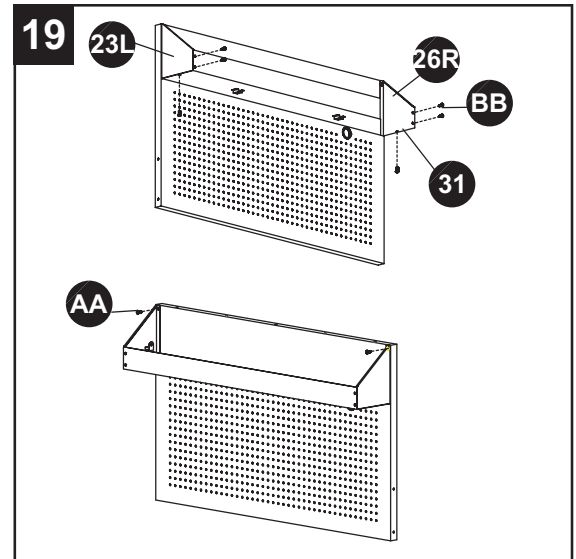
18. Insert the left storage cage side panel (23L) into the keyhole slot on the left side of the pegboard (28). Slide the left storage cage side panel (23L) down until it meets the storage cage bottom panel (31). Repeat this step for the right storage cage side panel (26R).



19. Secure the left and right storage cage side panels (23L and 26R) with screws (AA and BB).

### Hardware Used

<b>AA</b>	M6x10 mm Screw		 x 2
<b>BB</b>	M4x6 mm Screw		 x 6

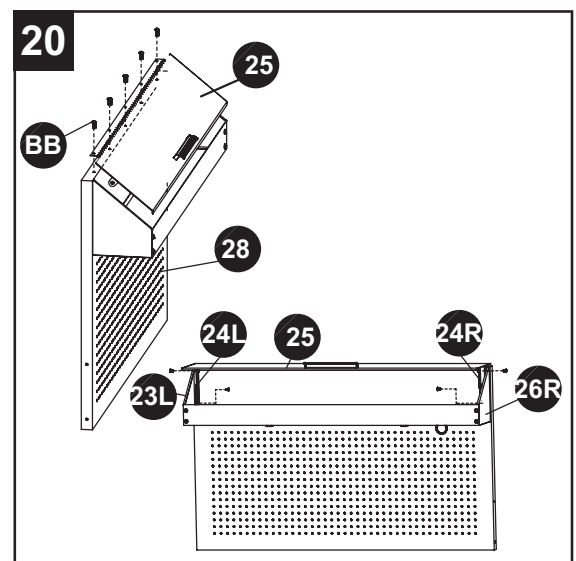


20. Align the hinged edge of the storage cage lid (25) with the top of the pegboard (28). Secure using screws (BB). Remove the screws from inside the storage cage installed on the left storage cage side panel (23L), the storage cage lid (25) and the right storage cage side panel (26R). Install the left hinge (24L) and the right hinge (24R) using the removed screws.

**Note:** Attach the short leg of the hinge to the sides of the cage and fold the hinge forward.

### Hardware Used

<b>BB</b>	M4x6 mm Screw		 x 5
-----------	------------------	---	---



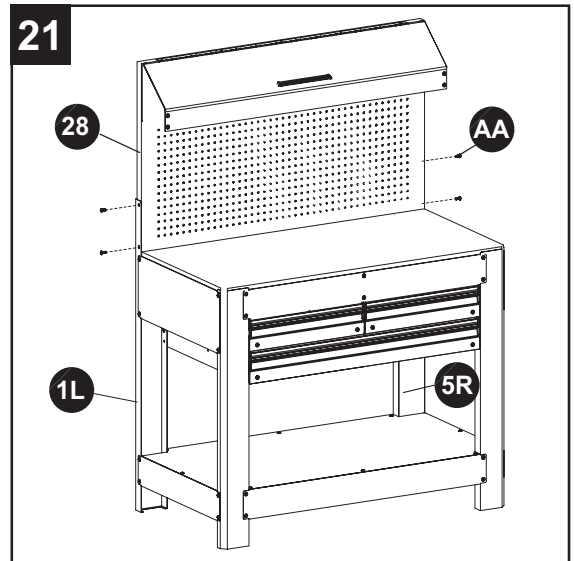
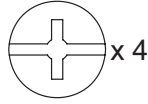
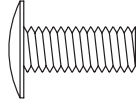
## ASSEMBLY INSTRUCTIONS

21. Attach the pegboard (28) to the left rear leg (1L) and the right rear leg (5R) using screws (AA).

### Hardware Used

AA

M6x10 mm  
Screw

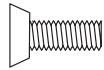


22. Attach the light support brackets (29) to the underside of the storage cage bottom panel (31) using screws (CC) packaged with the light support bracket (29). The light support bracket (29) is packed in the box with the light (30).

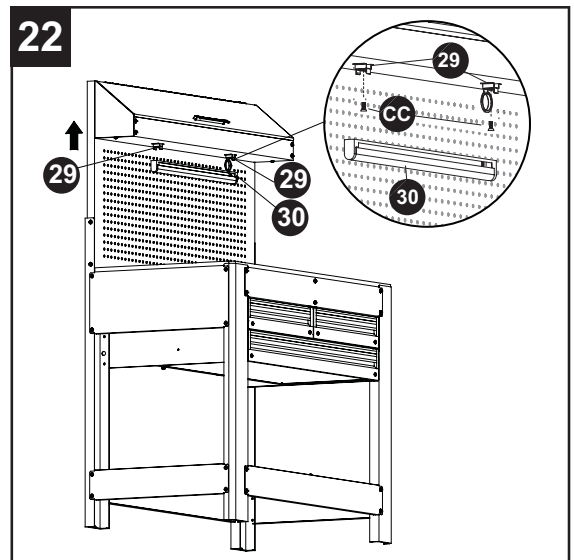
### Hardware Used

CC

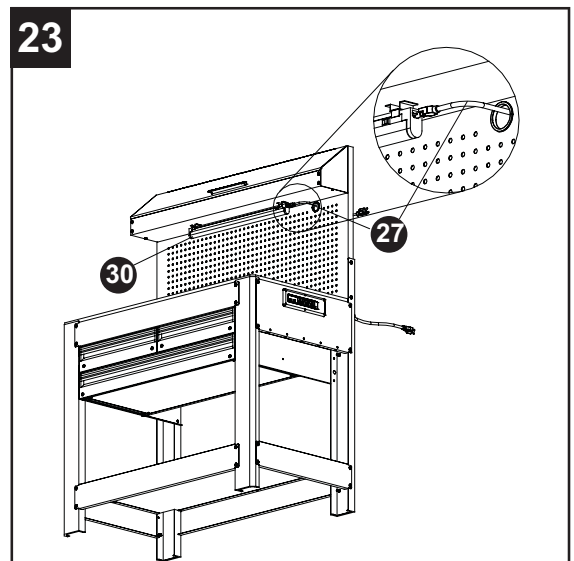
M4x8 mm  
Screw



x 2

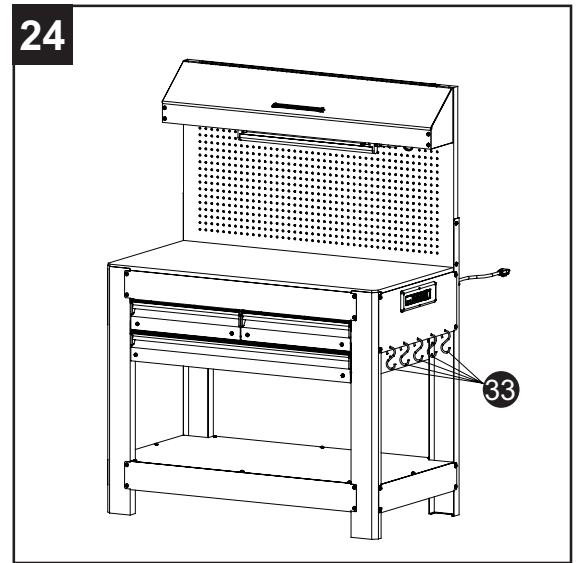


23. Install the light (30) into the light support brackets (29). Feed the light power cord (27) through the grommet in the pegboard (28). Plug the light power cord (27) into the light (30).



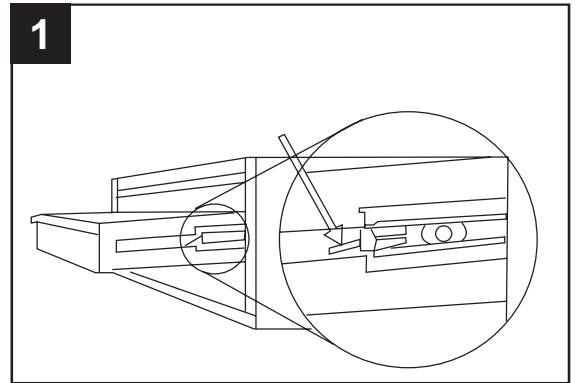
## ASSEMBLY INSTRUCTIONS

23. Insert the hanging hooks (33) into the holes on the right side of the workbench.

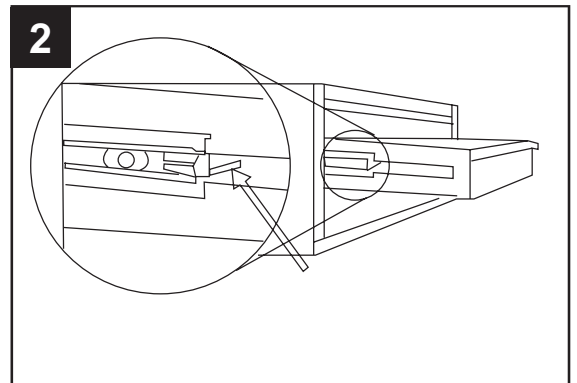


## DRAWER REMOVAL

1. Pull the drawer out of the workbench until the slides are fully extended. Push the release lever down on the right side of the drawer.



2. Pull the release lever up on the left side of the drawer. Holding both levers, pull the drawer out until the drawer releases from the drawer slides.



## CARE AND MAINTENANCE

---

### Cleaning

1. Clean using a mild liquid soap, rinse with clean water and dry thoroughly. Do not clean with abrasive detergents.
2. Clean off water or other liquids spilled or splashed on the workbench immediately and dry the unit thoroughly.
3. Keep your workbench covered to protect it from dust and moisture that could potentially damage the unit.

## TROUBLESHOOTING

---

PROBLEM	POSSIBLE CAUSE	CORRECTIVE ACTION
The tools plugged into the power strip do not work.	The power cord plugs are loose.	Ensure the power cord plugs are plugged in properly.
The lamp light is flickering.	The lamp tube is old.	Replace the lamp tube.
The light does not work.	<ol style="list-style-type: none"><li>1. The lamp plug is loose.</li><li>2. The lamp tube is old.</li></ol>	<ol style="list-style-type: none"><li>1. Ensure the power cord plug is plugged in properly.</li><li>2. Replace the lamp tube.</li></ol>

### 3-YEAR LIMITED WARRANTY

This item carries a 3-year warranty from the date of purchase against defective parts and workmanship. Warranty does not cover damage due to mishandling or abuse. This warranty gives you specific legal rights, and you may have other rights that vary from state to state.

### REPLACEMENT PARTS LIST

PART	DESCRIPTION	PART ID	PART	DESCRIPTION	PART ID
1L	Rear leg (left)	HSSWK-1	20	Drawer bottom panel (large)	HSSWK-20
2L	Front leg (left)	HSSWK-2	21	Drawer back (large)	HSSWK-21
3	Side panel (left)	HSSWK-3	22	Drawer front (large)	HSSWK-22
4	Side frames (left & right)	HSSWK-4	23L	Storage cage side panel (left)	HSSWK-23
5R	Rear leg (right)	HSSWK-5	24L	Hinge (left)	HSSWK-24
6R	Front leg (right)	HSSWK-6	24R	Hinge (right)	HSSWK-25
7	Side panel (right)	HSSWK-7	25	Storage cage lid	HSSWK-26
8L	Drawer slide panel (left)	HSSWK-8	26R	Storage cage side panel (right)	HSSWK-27
9R	Drawer slide panel (right)	HSSWK-9	27	Light power cord	HSSWK-28
10	Slide support (intermediate)	HSSWK-10	28	Pegboard	HSSWK-29
11	Bottom frame (front & rear)	HSSWK-11	29	Light support bracket	HSSWK-30
12	Base panel	HSSWK-12	30	Light	HSSWK-31
13	Upper panel	HSSWK-13	31	Storage cage bottom panel	HSSWK-32
14	Back panel	HSSWK-14	32	Wooden table top	HSSWK-33
15L	Drawer side panel (left)	HSSWK-15	33	Hanging hook	HSSWK-34
16R	Drawer side panel (right)	HSSWK-16	AA	M6x10 mm Screw	HSSWK-35
17	Drawer bottom panel (small)	HSSWK-17	BB	M4x6 mm Screw	HSSWK-36
18	Drawer front (small)	HSSWK-18	CC	M4x8 mm Screw	HSSWK-37
19	Drawer back (small)	HSSWK-19	DD	M3.2x5 mm Screw	HSSWK-38
			EE	M6x10 mm Screw	HSSWK-39

For replacement parts, call our customer service department at 1-888-3KOBALT (1-888-356-2258), 8 a.m. - 8 p.m., EST, Monday - Friday.

Printed in China