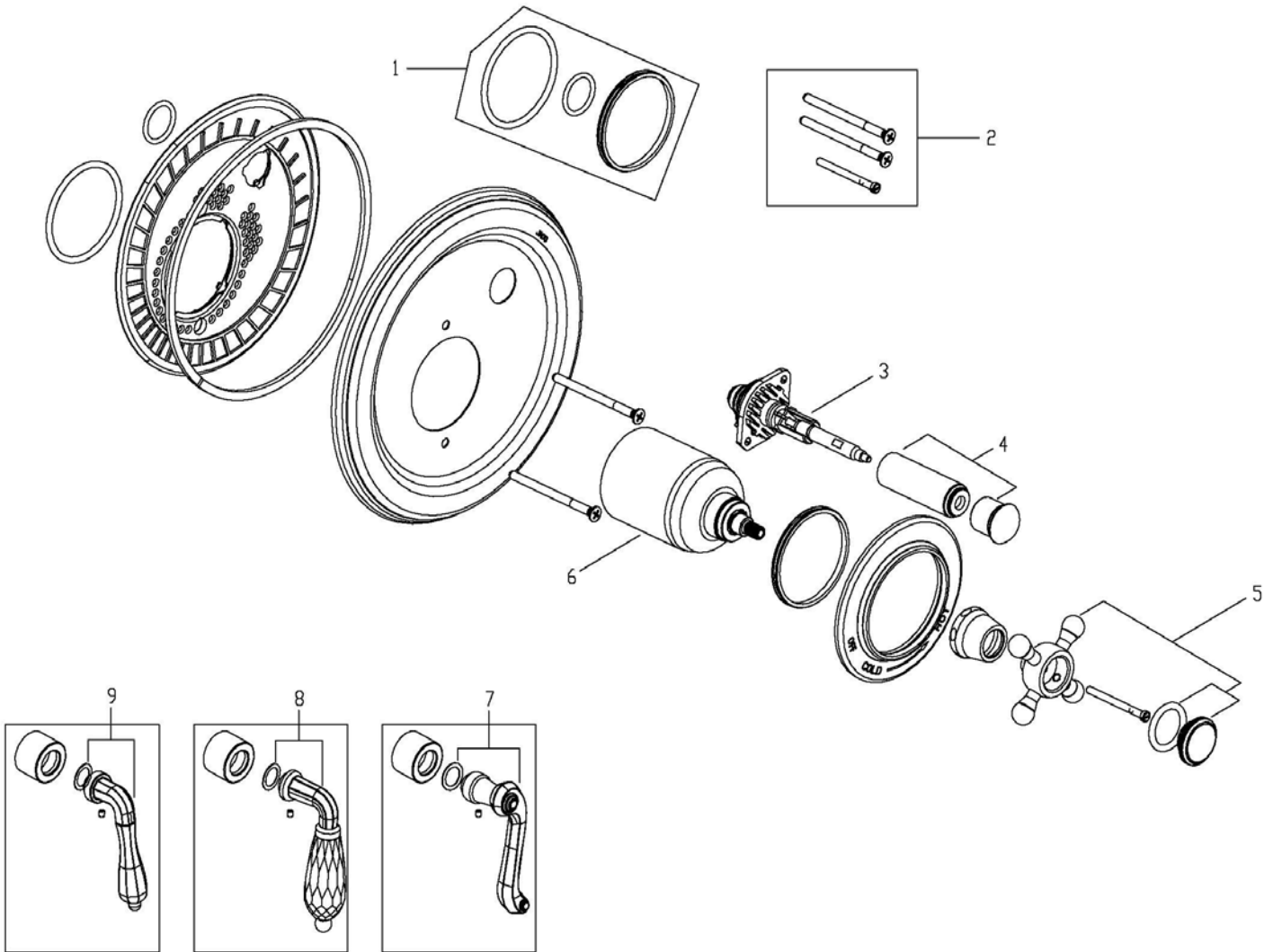


# Classic

8Pressure Balance valve for shower set  
853/545...853/546...853/547...853/549...

# JADO



Polished Chrome = 100, Old Bronze = 105, UltraBrass = 113, Brushed Nickel = 144  
Platinum Nickel = 150, Diamond = 167

**The following finishes apply only to Porcelain lever:**

UltraBrass/White Porcelain = 122, Brushed Nickel / White Porcelain = 124, Old Bronze / White Porcelain = 125,  
Polished Chrome/White Porcelain = 128, Platinum Nickel/White Porcelain = 152, Diamond/White Porcelain = 153

**Example Repair Part order:**

853545001.105 in Old Bronze  
853545001.167 in Diamond

Pos.	Description	Repair Part Number	Delivery quantity
1	Trim ring	853545003.191	1set
2	Screw Kits	853535003.191	1set
3	Diverter assy	853545002.191	1Piece
4	Diverter shell	853545001.XXX	1set
5	handle kits	876711001.XXX	1set
6	Cartridge cover	853535001.XXX	1Piece
7	Curved Lever Left	H960018.XXX	1set
8	crystal lever	H960308.XXX	1set
9	Straight Lever	H960019.XXX	1set