

EH, EHR and MH Wall Mount Range Hoods

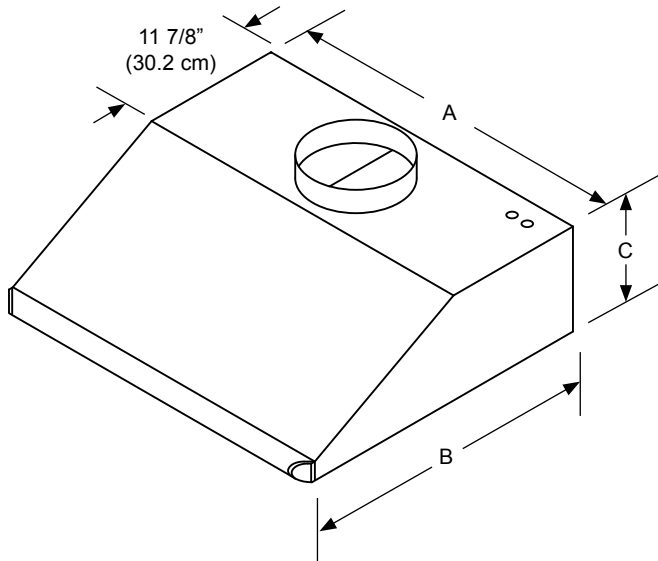


30", 36", 42", 48", 54" Wide Hoods

PLANNING GUIDE

WARNING

- Observe all governing codes and ordinances during planning and installation. Contact your local building department for further information.
- This appliance must be installed in accordance with the accompanying installation instructions.

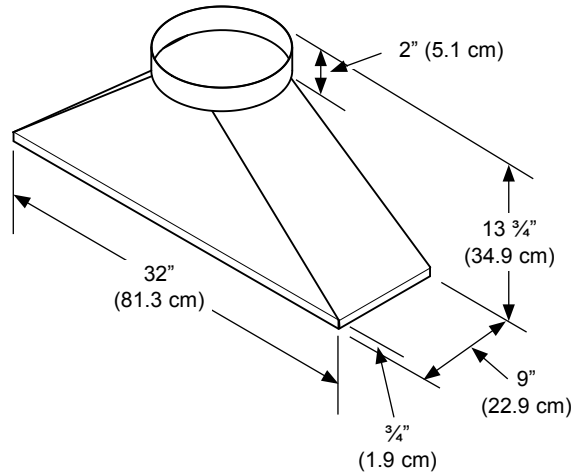


OVERALL DIMENSIONS

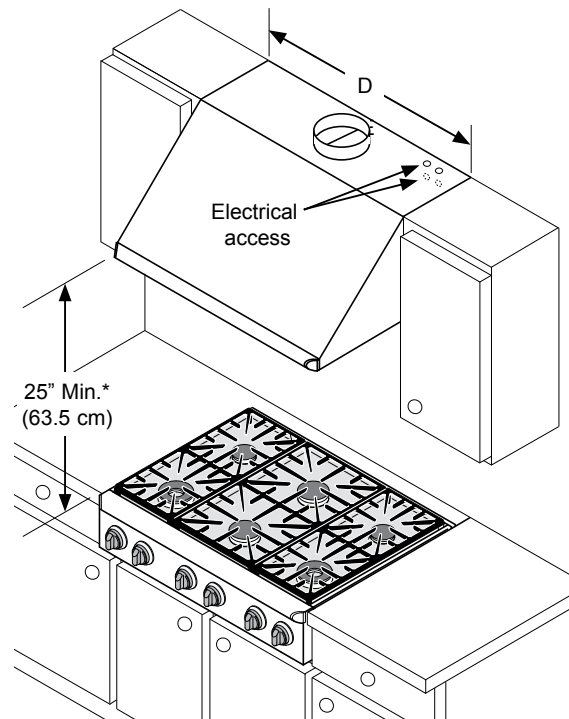
Overall Dimensions			
Model	A	B	C
EH/EHR3012	29 7/8" (75.9 cm)	26 7/8" (68.3 cm)	12 3/8" (31.4 cm)
EH/EHR3612	35 7/8" (91.1 cm)		
EH/EHR4212	41 7/8" (106.4 cm)		
EH/EHR4812	47 7/8" (121.6 cm)	25 1/2" (64.8 cm)	18" (45.7 cm)
MH3012	29 7/8" (75.9 cm)		
MH3612	35 7/8" (91.1 cm)		
MH4812	47 7/8" (121.6 cm)	26 7/8" (68.3 cm)	18" (45.7 cm)
EH/EHR3018	29 7/8" (75.9 cm)		
EH/EHR3618	35 7/8" (91.1 cm)		
EH/EHR4218	41 7/8" (106.4 cm)		
EH/EHR4818	47 7/8" (121.6 cm)		
MH3018	29 7/8" (75.9 cm)	25" 1/2" (64.8 cm)	18" (45.7 cm)
MH3618	35 7/8" (91.1 cm)		
MH4818	47 7/8" (121.6 cm)		

NOTE: The exhaust duct(s) and electrical wiring can be connected from either the top or the back of the hood.

All tolerances: +1/16", -0, (+1.6 mm, -0) unless otherwise stated



DIMENSIONS OF OPTIONAL AHT10 TRANSITION



* Height above cooking surface. The minimum specified distance may be higher for the particular range or cooktop in use. Check the manufacturers specifications for the cooktop or range.

Minimum Cabinet Width	
Models	D
EH3012, EH3018, MH3012, MH3018	30" (76.2 cm)
EH3612, EH3618, MH3612, MH3618	36" (91.5 cm)
EH4212, EH4218	42" (106.7 cm)
EH4812, EH4818, MH4812, MH4818	48" (121.9 cm)
EH5418	54" (137.2 cm)

EH, EHR and MH Wall Mount Range Hoods

Document # PG07 - 004

Revised 10/21/09 Page 2/3



30", 36", 42", 48", 54" Wide Hoods

PLANNING GUIDE

GENERAL SPECIFICATIONS

All Models

Fan speeds	4
Filters	Mesh type, dishwasher safe
Exhaust(s)	8-inch
Total connect load	120 Vac, 60 Hz, 9 Amp. Max. (10.0 Amp. Max. surge)
Lights	120 Vac, 75 W halogen
Circuit requirement	120 Vac, 15 Amp. dedicated, grounded circuit

Model Specific

	EH48, EHR48, MH48, EH54	EH42, EHR42	EH30, EHR30, MH30, EH36, EHR36, MH36
Lights	3	2	2
Filters	4	3	2
Exhaust outputs	2	1	1
Fan* rating	1200 CFM	600 CFM	600 CFM

* Does not apply to EHR Series

Weight Specifications

Models	Weight
EH3012, MH3012	48 lbs. (22 kg)
EH3018, MH3018, EH3612, MH3612	53 lbs. (24 kg)
EH3618, MH3618	57 lbs. (26 kg)
EH4212	55 lbs. (25 kg)
EH4218	60 lbs. (27 kg)
EH4812, MH4812	70 lbs. (32 kg)
EH4818, MH4818	77 lbs. (35 kg)
EH5418	84 lbs. (38 kg)

Weight Specifications

Models	Weight
EHR3012	39 lbs. (18 kg)
EHR3018, EHR3612	44 lbs. (20 kg)
EHR3618	48 lbs. (22 kg)
EHR4212	46 lbs. (21 kg)
EHR4218	51 lbs. (23 kg)
EHR4812	52 lbs. (24 kg)
EHR4818	59 lbs. (27 kg)
EHR5418	66.4 lbs. (30 kg)

Duct Size	Maximum Straight Duct Run
8" round	60 feet
10" round	50 feet
3¼" X 10" rectangular	50 feet

IMPORTANT: When planning the installation, you must calculate the actual length the duct work cannot exceed. To calculate actual maximum duct length, use the above specifications in combination with the **Duct Planning Guide** or see the hood installation instructions.

EH, EHR and MH Wall Mount Range Hoods

Document # PG07 - 004

Revised 10/21/09 Page 3/3

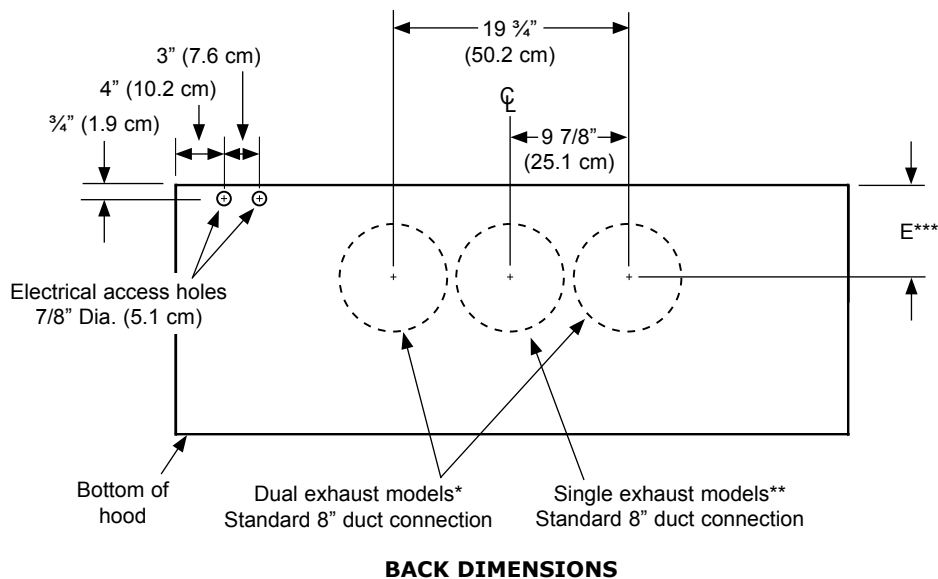
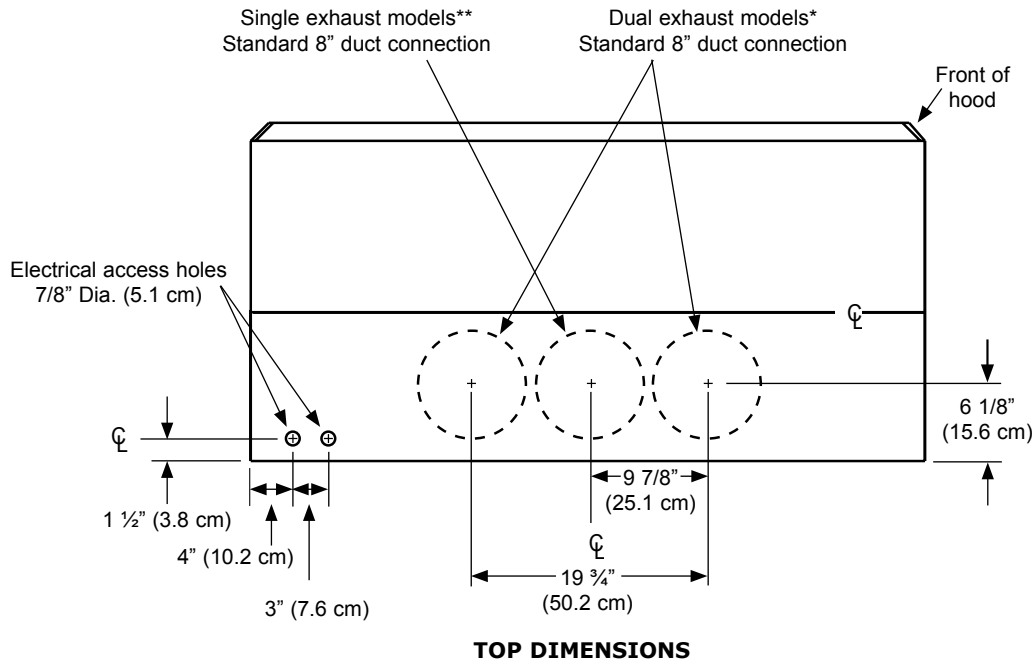


30", 36", 42", 48", 54" Wide Hoods

PLANNING GUIDE

NOTE: The exhaust duct(s) and electrical wiring can be connected from either the top or the back of the hood.

All tolerances: +1/16", -0, (+1.6 mm, -0) unless otherwise stated.



* Models EH48, EHR48, MH48, EH54, EHR54

** All other models

***Rear Exhaust Placement	
Nominal Hood Height	E
12"	4 1/2" (11.4 cm)
18"	6 1/8" (15.6 cm)