

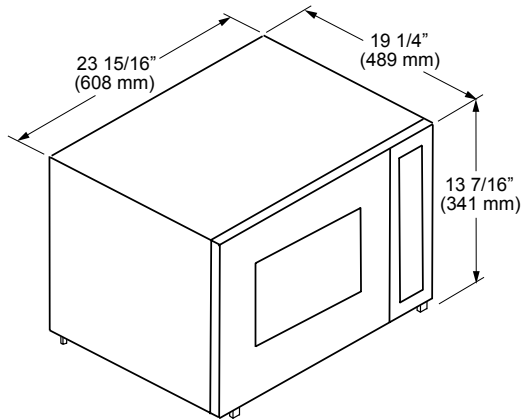
DMT2420, AMTK, AOMTK



Microwave Oven/ Microwave Oven Trim Kits

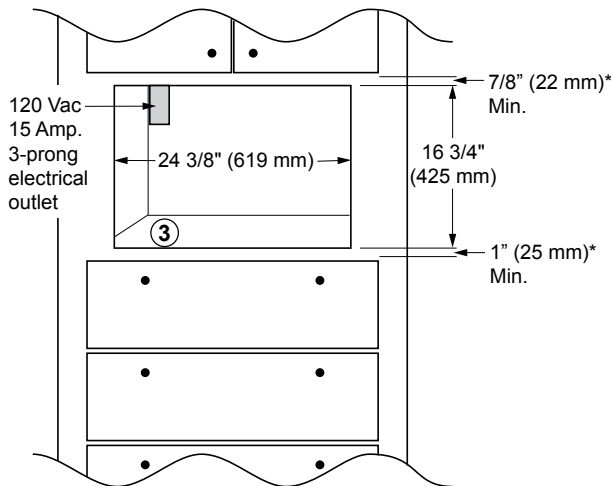
PLANNING GUIDE

All tolerances: +1/16", -0, (+1.6 mm, -0) unless otherwise stated



Shipping weight: 46 lbs.
 Circuit required: 120 Vac,
 15 Amp. dedicated, grounded, 3-prong electrical outlet
 Total connected load:
 12.5 Amp. @ 120 Vac, 60 Hz.
 Interior dimensions: 10 1/4"H x 16 5/8"W x 17 3/4"D,
 interior walls are recessed

DMT2420 MICROWAVE SPECIFICATIONS



MICROWAVE CUTOUT

*Bare minimum spacing when using trim kit: Includes additional space to avoid scraping/vibration.

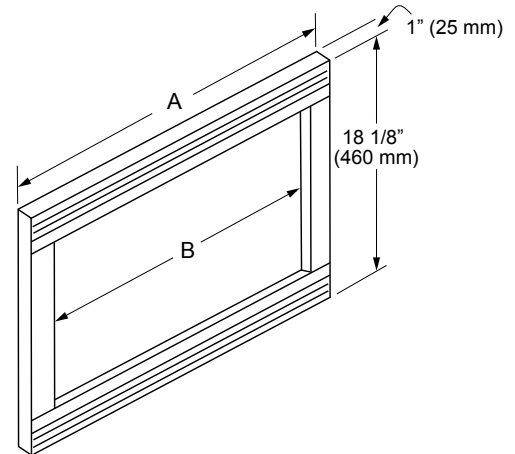
NOTE:

- 24" (610 mm) minimum exterior cabinet depth.
- See the Combination Installation (CI) section if installing with a wall oven or warming drawer.
- 3/4" (19 mm) support platform, flush with cutout, required.
- Microwave is supplied with a 42" (1067 mm) power cord, with a three prong grounded plug.

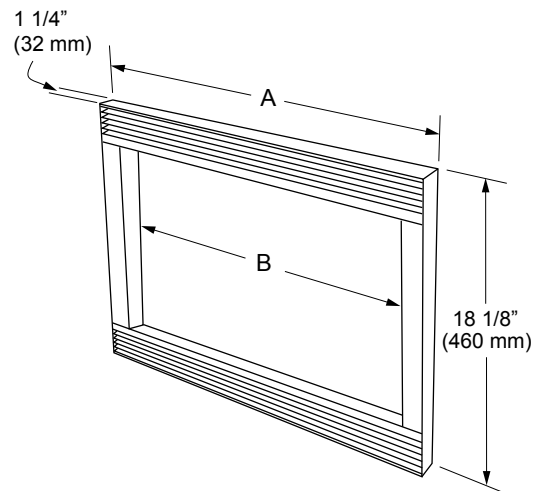
Specifications subject to change without notice.
 Install all appliances according to accompanying installation instructions.

⚠ WARNING

- Observe all governing codes and ordinances during planning and installation. Contact your local building department for further information.
- This appliance must be installed in accordance with the accompanying installation instructions.



AMTK TRIM KIT - OVERALL DIMENSIONS (FOR USE WITH DISTINCTIVE AND RENAISSANCE SERIES WALL OVENS)



AOMTK TRIM KIT - OVERALL DIMENSIONS (FOR USE WITH DISCOVERY SERIES WALL OVENS)

Trim Kit Model No.	(A) Overall Width	(B) Opening Width	Trim Kit Overlays	Approximate Shipping Weight
AMTK27	27" (686 mm)	24" (610 mm)	5/8" (16 mm) top, 3/4" (19 mm) bottom	12 lbs.
AMTK30	30" (762 mm)			12 lbs.
AMTK36	36" (914 mm)			16 lbs.
AOMTK27	27" (686 mm)			17 lbs.
AOMTK30	30" (762 mm)			18 lbs.