

INSTALLATION INSTRUCTION FOR 8461-57

For Chandelier Mount Ceiling Fixtures

WARNING! SHUT POWER OFF AT FUSE OR CIRCUIT BREAKER .

ASSEMBLING THE FIXTURE (Fig.2)

1. Attach loop (A) and the cover (B) to the fixture center body (D) by turning it clockwise until tight.
2. Attach cover (E) with finial (F) to the fixture center body (D) by turning it clockwise until tight
3. Place the socket sleeve (C) over the socket
4. Install the light bulbs in accordance with the fixture specifications
NOTE: DO NOT EXCEED THE SPECIFIED WATTAGE!

HANGING THE FIXTURE (Fig.1)

1. Shut off the power at the circuit breaker and remove old fixture from ceiling, including the old crossbar.
2. Carefully unpack new fixture and lay all the parts on a clear surface.
3. Thread the two Studs (A) about 1/4" into the pre-drilled holes in the Crossbar spaced the same distance apart as the holes in the fixture canopy (B).
4. Install the Crossbar to the Junction Box with the two Junction Box Screws as shown. The side of the Crossbar marked "GND" must face out.
5. While holding the canopy and lamp cluster towards the ceiling, connect the electrical wires as Shown in Fig.3, making sure that all wire connectors are secured. You may have to wrap the connections with electrical tape. If there is a Ground Wire (green or bare copper) in your outlet box, connect the fixture's Ground Wire to it. Otherwise connect fixture's ground wire directly to the Crossbar with the Green Screw provided. After wires being connected, tuck them carefully inside the Junction Box.
6. Open one the end link of the chain provided and connect to the fixture loop (D). Close the link.
7. Lace the fixture wires through the chain.
8. Open the other end link of the chain and hang the fixture on the loop at the ceiling. Close the link.
9. Lace the fixture wires, ground wires through the loop and canopy (B) and pull until taut.
10. Then cover the junction box with canopy (B), aligning the Screw of the Crossbar with the hole of canopy and lock it with brass ball (C).
11. Install the light bulbs in accordance with the fixture specifications. **NOTE: DO NOT EXCEED THE SPECIFIED WATTAGE.**

Your installation is now complete Return power to the junction box and test the fixture.

Fig.1

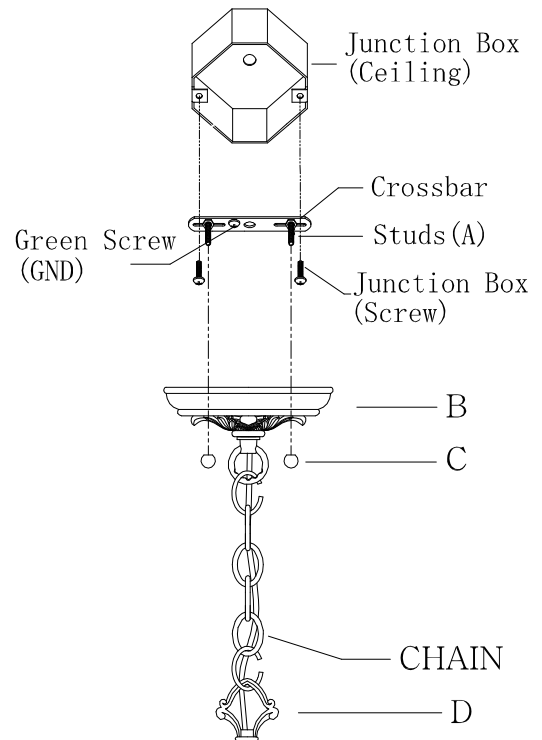


Fig.2

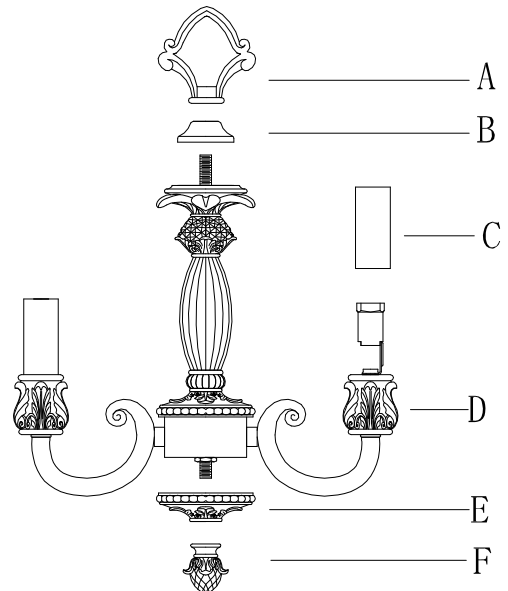
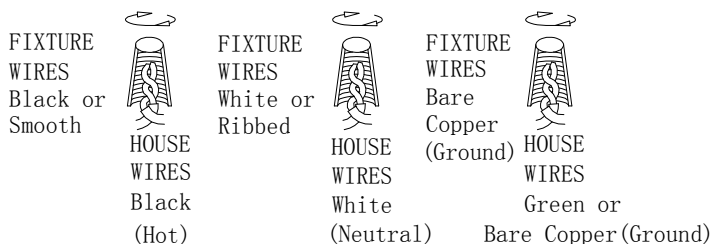


Fig.3



Livex Lighting

INSTALLATION INSTRUCTIONS FOR 8461-57
For Semi Flush Mount Ceiling Fixtures

WARNING! SHUT POWER OFF AT FUSE OR CIRCUIT BREAKER .

ASSEMBLING THE FIXTURE (Fig.1).

1. Shut off the power at the circuit breaker box. Remove old fixture and all hardware from Junction Box.
2. Carefully unpack your new fixture and lay out all the parts on a clear area. Take care not to lose any small parts necessary for installation.
3. Thread the two Studs (A) about 1/4" into the pre-drilled holes in the Crossbar spaced the same distance apart as the holes in the canopy (B).
4. Attach the Crossbar to the Junction Box with the two Junction Box Screws as shown. The side of the Crossbar marked "GND" must face out.
5. While holding the column assembly towards the ceiling, connect the electrical wires as shown in Fig.2, making sure that all wire nuts are secured. You may have to wrap the connections with electrical tape. If your outlet has a ground wire (green or bare copper), connect the fixture ground wire to it. Otherwise connect fixture's ground wire directly to the Crossbar with the green screw provided. After wires are connected, tuck them carefully inside the Junction Box.
6. Remove the cover (K) (Fig.3). Remove the loop (D) (Fig.4). Put the canopy (B) and the washer (J) to the center of the fixture body (F), then lock the canopy (B) with the hex nut (I).
7. Attach cover (G) with finial (H) to the fixture center body (F) by turning it clockwise until tight.
8. Place the socket sleeve (E) over the socket.
9. Put the lamp body (F) onto the junction box, aligning screws on Crossbar with mounting holes in canopy and lock it securely with the ball (C).
10. Install the light bulbs in accordance with the fixture specifications. **NOTE: DO NOT EXCEED THE SPECIFIED WATTAGE!**

Your installation is now complete. Return power to the junction box and test the fixture.

Fig.1

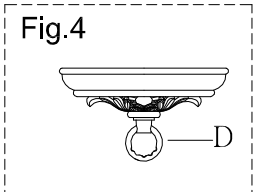
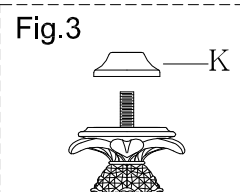
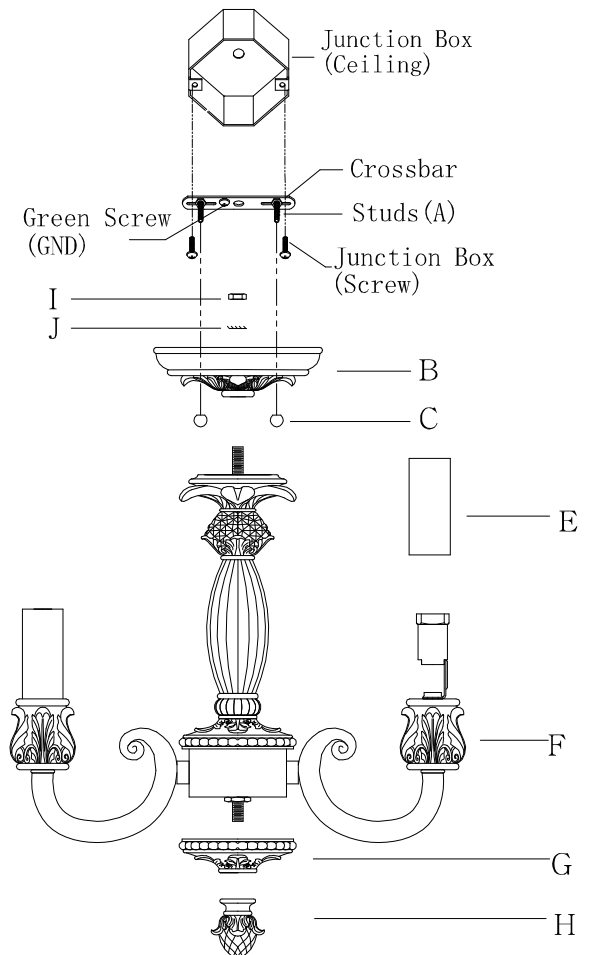


Fig.2

