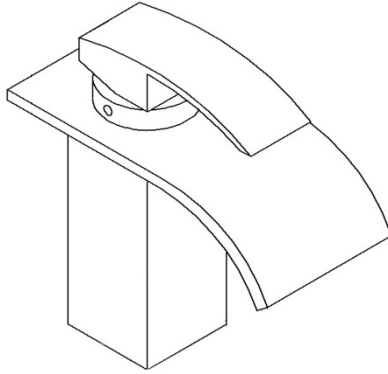


SUMERAIN



Faucet Series

Installation Guide

Service Hotline
Total Free 4000-999-075(China)
+1-408-867-8884(America)
www.sumerain.com

Table of content

1. IMPORTANT INSTRUCTIONS	2
2. FAUCET EXPLOSION	3
3. FAUCETS INSTALLATION	6
4. TROUBLESHOOTING	9
5. CARE AND MAINTENANCE	11

For easy installation you will need to:

READ ALL the instructions completely before beginning.

READ ALL warnings, care, and maintenance information.

Purchase the correct water supply hook-up.

(1) Please check the accessories first.

(2) This instructions are typical faucet installation method as the reference guide, may differ from your actual product. The installation steps still applied.

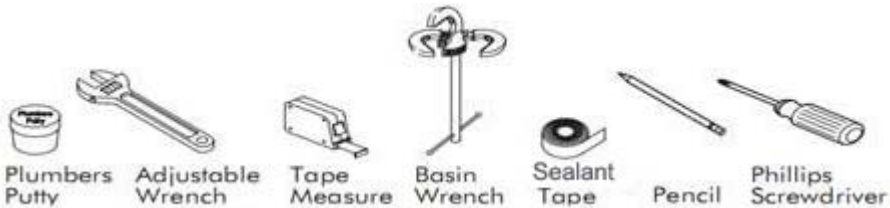
(3) We strongly advise to ask skilled plumber to install.

IMPORTANT INSTRUCTIONS

[1] Operating Conditions

Recommended operating pressure 0.1~0.6Mpa

[2] Tools you may need when installing the faucet.



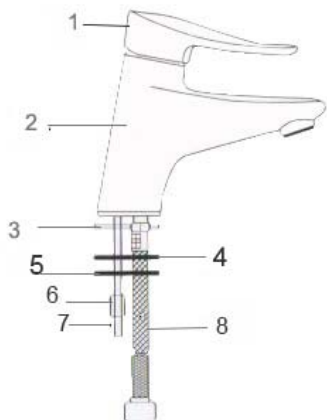
[3] Before You Begin

- Shut off the main water supply.
- If possible, install the faucet before installing the sink/lavatory.
- Inspect the supply tubing for damage. Replace or clean if necessary.

FAUCET EXPLOSION

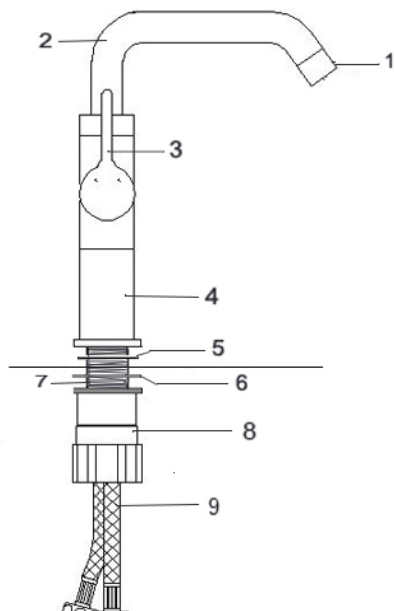
A1 FAUCET WITH ONE HOLE

I



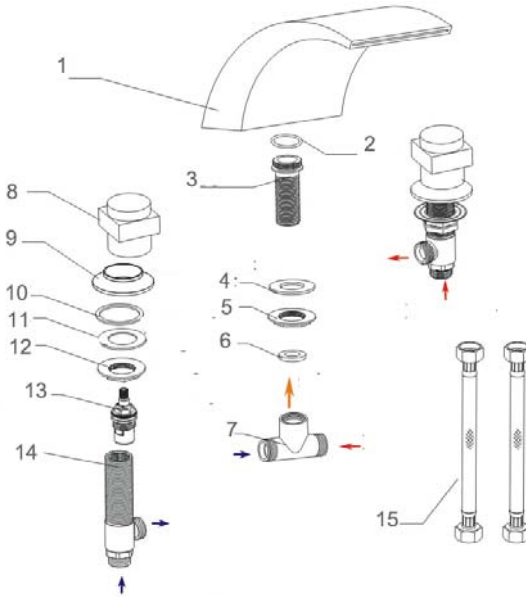
1	handle
2	faucet body
3	O-ring washer
4	Semi-circular rubber washer
5	Semi-circular metal-friction
6	mounting nut I
7	mounting screw
8	hoses

II



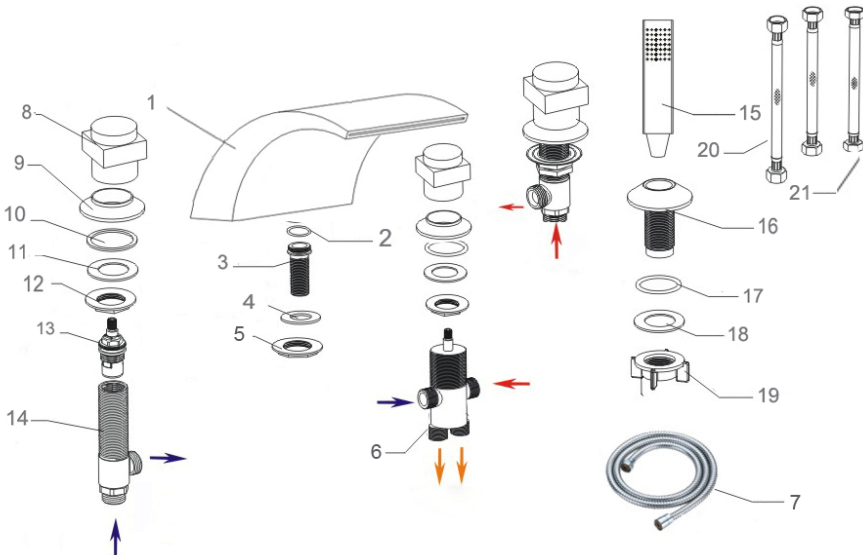
1	aerator
2	spout
3	handle
4	faucet body
5	O-ring washer
6	plastic washer
7	shank
8	mounting nut II
9	hoses

A2 FAUCET WITH THREE HOLES



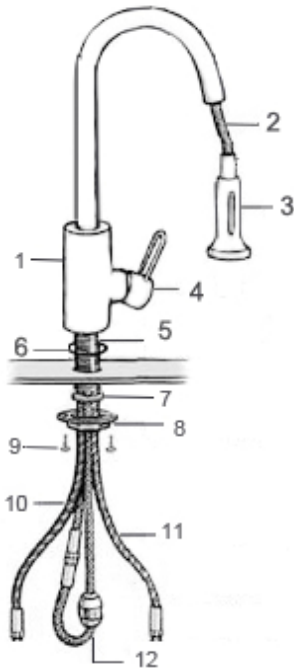
1	spout
2	O-ring washer
3	nipple
4	G 3/4" black washer
5	nut
6	washer i
7	triple tube
8	handle
9	decorate seat
10	washer ii
11	washer iii
12	nut
13	Ceramic cartridge
14	Triple valve
15	hoses

A3 FAUCET WITH FIVE HOLES



1	spout	2	O-ring washer	3	nipple
4	G 3/4" black gasket	5	nut	6	shunt valve
7	Shower hoses	8	handle	9	Decorate seat
10	washer ii	11	washer iii	12	nut i
13	Ceramic cartridge	14	Water inlet valve	15	shower
16	Shower sheath	17	washer ii	18	washer iii
19	nut ii	20	40 cm hose	21	20 cm hose

A4 KITCHEN FAUCET



1	Faucet body
2	hose line
3	Spray head
4	handle
5	shank
6	washer i
7	washer ii
8	nut
9	screw
10	cold water supply hose
11	hot water supply hose
12	weight ball

FAUCET INSTALLATION

A1. Faucet with One Hole

Step 1: Begin installing your faucet by placing the O-ring washer and faucet in position on the sink. Check the faucet and the O-ring washer position; make sure the base of the faucet is parallel to the back of the sink.

Step2: From under the sink tighten the mounting nuts, making certain not to over-tighten which could damage the nuts and make them difficult to remove in the future.

Step3: Screw on washers and mounting nuts. From underneath the sink, screw the Semi-circular rubber washer and Semi-circular metal-friction and the mounting nuts onto the mounting screw or shank (if it's a shank), then tighten the mounting screw with a basin wrench.

Step4: Connect the water hoses to faucet shank, tighten the coupling nuts with a basin wrench.

Step5: Attach the faucet hoses. Attach the faucet hoses to the shutoff valves. Hand-tighten the nuts, then give them extra quarter-turn with an adjustable wrench. To prevent damage to the tubes, it's a good idea to hold the valve with another wrench while you tighten them.

Step5:

All that left to do is turning the water on and check all the connections to ensure everything is working correctly.



This assembly instructions can be used for one hole bathroom faucet, one hole kitchen faucet, and one hole bidet faucet.




To the LED faucet with 4 batteries, the above five installation steps is applied, besides, need to connect the supply line to the battery box at last.

A2 Faucet with three holes or five

Step1 Before installation ensure there are three (or five) $\Phi 32\sim\Phi 35$ mm holes on the basin (or bathtub), the faucet body's bottom must put the O-ring; remove the faucet body bottom's fixation part.

Step2 Remove the handle, decorative seat from the control water body. Put the control water body through the basin bottom (bathtub bottom), connect with the decorate seat and handle,


adjust the way and place, screw down the control water body's lockup nut, make it fix on the basin. At last install back the handle according to the remove step.

 : The control water body with the red sign installs on the left and connects with hot water; with blue sign install on the right and connects with cold water.

Step3 Put the O-ring wash under the faucet body, adjust the place, from under the basin, put on the G 3/4" black washer, then screw on the nut, connect the triple tube to the nipple. Then connect the two inlet hoses separate with the two control water body.

Step4 Two inlet hoses separate connect with the angle valve and two control water body, left control water connect with hot water, right control water connect with cold water.

Step5 Open water source, check all connect point is leakage.

 : To the five hose bathtub faucet, connect the faucet body and the shower to the shunt valve.

Warning:

- 1) Water pressure must ensure more than 0.05 MPA.
- 2) Must according left hot, right cold to connect.
- 3) When using, open cold water first then open hot water.

A4 Pull out kitchen faucet

Please connect the 150cm pull out water pile with the faucet head and add weight ball on the pipe before you connect faucet with water supply. Other installation steps please reference to A1.

A5 Wall Mount Faucet

1. Refer to the faucet size, dig the faucet body conceal hole and cold, hot water pipe conceal hole on the wall.
2. Remove the spout, handle, cover and so on from the conceal body.
3. Fix the inner wall, connect with cold, hot water pipe and open water source, confirm no leakage.
- 4 Then cover spout, handle and other component according to the remove step to install back, screw down screw to fix all component.

TROUBLESHOOTING

Symptom	Solution
Faucet leaks from the handle	<p>A. Tighten the packing nut</p> <p>B. Replace the "O" ring or packing</p>
The water pressure is too low	<p>A. Make sure the water supply valves under the sink are turned on all the way</p> <p>B. Clean or replace the aerator</p> <p>C. Check plumbing system for water pressure problems</p>
The spout sprays water all over	<p>A. Clean or replace the aerator</p> <p>B. Replace the aerator washer</p>
Water is leaking from the faucet under the sink	<p>A. Check the water supply connections to the faucet</p> <p>B. Inspect the water supply lines or hoses for leaks</p>
Handle is loose	<p>A. Remove the cap and tighten the screw</p> <p>B. Locate and tighten the hex set screw</p> <p>C. Remove the handle and check for stripped teeth on the stem.</p>
LED does not illuminate	Insert new batteries or check the polarity of the batteries check and the plug connection.

MAINTENANCE

- Clean the faucets and showers as and when required. Regular cleaning can prevent calcification.
- Never use cleaning materials contain hydrochloric, formic, phosphoric or acetic acid, which may cause considerable damage.
- Never use cleaning materials or appliances with an abrasive effect, such as unsuitable cleaning powders, sponge pads, or micro fiber cloths.
- After cleaning, rinse thoroughly the faucet with clean water to remove any cleaner residue.
- Unscrew and clean the aerator regularly.