

Pure Fun 15' Trampoline Enclosure Model No. 9115E Owner's Manual

Please read all the instructions before using this product.
Consult a physician before beginning any exercise program or strenuous activity

Enclosure Only



Do not allow more than one person on the trampoline at any time.
Do not allow small children to use unless supervised by an adult.

ADULT ASSEMBLY REQUIRED.

FOR **PURE FUN #9015T** or

COMPATIBLE TRAMPOLINES WITH **10 LEGS: ~54 in. APART ONLY**

(sold separately)

Pure Fun is a Trademark of
Pure Global Brands, Inc.

**OWNERS MANUAL
CUSTOMER SERVICE INFORMATION**

Thank you for purchasing our **Pure Fun™ 15' Trampoline Enclosure**.

At Pure Global Brands, we want all of our customers to be completely satisfied with their purchase. Please take time to review the contents of the product you just received to make sure that all of the parts are included. If you find that any parts are missing or damaged, we will happily provide replacement parts at no charge within 30 days of purchase. Please keep in mind that for select damaged part replacement requests, we will require a photo for submission to our quality control office.

To order these parts, or if you have any other questions or concerns about this Pure Global product, please e-mail the Pure Global Brands, Inc. customer service department at customerservice@puregbi.com or contact us at 1-866-498-5269. You can also visit our website at: www.pureglobalbrands.com

If you request replacement parts, please be sure to include the following information in your correspondence:

YOUR NAME
YOUR MAILING ADDRESS
YOUR EMAIL ADDRESS
RETAILER WHERE YOU PURCHASED PRODUCT
DATE OF PURCHASE
ORDER # (IF AVAILABLE)
PRODUCT MODEL #: 9115E
SERIAL #
PRODUCT NAME: 15' TRAMPOLINE ENCLOSURE
PART # (located in manual)
QUANTITY NEEDED
PICTURE OF DAMAGED PART(s) – SUBMIT VIA Email , Fax, or Mail

Again, thank you for purchasing a Pure Global Brands product.

Sincerely,
Customer Service
Pure Global Brands, Inc.
1-866-498-5269

LIMITED WARRANTY

Pure Global Brands, Inc. warrants this product to be free from defects in workmanship and materials under normal use and conditions for the duration of the period outlined below FROM THE DATE OF ORIGINAL PURCHASE. This Limited Warranty is not transferrable and is available only for the original purchaser of the Product. The Company's obligation under this warranty is limited to replacing or repairing the Product, at the discretion of the Company.

The various components of the trampoline/enclosure are warranted against defects and workmanship for the following time period(s):

- **Steel Frame: 2 Years**
- **Safety Net: 6 Months**
- **All Other Parts: 90 Days**

All warranty coverage extends only to the original retail purchaser from the date of purchase. Pure Fun's obligation under this Warranty is limited to replacing or repairing, at Pure Fun's option, the product at one of its authorized service centers. All products for which a warranty claim is made must be received by Pure Fun at one of its authorized service centers and accompanied by sufficient proof of purchase (photocopy of the original store receipt, indicating the date of purchase). All freight and handling fees are the responsibility of the consumer to pay, both to and from Pure Fun. All warranty claims must be preauthorized by Pure Fun. Preauthorization can be obtained by calling 866-498-5269. This warranty does not extend to any product or damage to a product caused by or attributable to freight damage, abuse, misuse, improper or abnormal usage, or repairs not provided by a Pure Fun authorized service center or for products used for commercial or rental purposes. This warranty does not cover ordinary wear and tear, weathering, failure to follow directions, improper installation, improper maintenance, or acts of Nature (such as damage caused by wind, lightning, snow, water, or ice). Weather damage, damage caused by unauthorized repair work or damage caused by improper use of the products are not covered by the product warranty. No other Warranty beyond that specifically set forth above is authorized by Pure Fun.

PURE FUN IS NOT RESPONSIBLE OR LIABLE FOR INDIRECT, SPECIAL OR CONSEQUENTIAL DAMAGES ARISING OUT OF OR IN CONNECTION WITH THE USE OR PERFORMANCE OF THE PRODUCT OR OTHER DAMAGES WITH RESPECT TO ANY ECONOMIC LOSS, LOSS OF PROPERTY, LOSS OF REVENUE OR PROFITS, LOSS OF ENJOYMENT OR USE, COST OF REMOVAL, INSTALLATION OR OTHER CONSEQUENTIAL DAMAGES. SOME STATES DO NOT ALLOW THE EXCLUSION OR LIMITATION OF INCIDENTAL OR CONSEQUENTIAL DAMAGES. ACCORDINGLY, THE ABOVE LIMITATION MAY NOT APPLY TO YOU. THE WARRANTY EXTENDED HEREUNDER IS IN LIEU OF ALL OTHER WARRANTIES AND PURE FUN SPECIFICALLY DISCLAIMS ANY IMPLIED WARRANTY OF MERCHANTABILITY OR FITNESS FOR A PARTICULAR PURPOSE IS LIMITED IN ITS SCOPE AND DURATION TO THE TERMS SET FORTH HEREIN. SOME STATES DO NOT ALLOW LIMITATION ON HOW LONG AN IMPLIED WARRANTY LASTS. ACCORDINGLY, THE ABOVE LIMITATION MAY NO APPLY TO YOU.

This warranty gives you specific legal rights. You may also have other rights, which vary from state to state.

READ THIS FIRST!!!



WARNING
CHOKING HAZARD – Small parts
NOT for children under 3 years.

! Warning!

While every attempt is made to ensure the highest degree of protection in all equipment, we cannot guarantee freedom from injury. The user assumes all risks of injury due to use. All merchandise is sold on this condition, which no representative of the company can waive or change.

WARNING
IMPORTANT – PLEASE READ!
WARNINGS – GENERAL SAFETY ADVICE

YOU MUST COMPLETELY READ THE FOLLOWING INFORMATION BEFORE ASSEMBLY OR USE!

Please read these instructions in their entirety before assembly or use and retain for future reference.

The safety warnings and information in this manual apply to THIS ENCLOSURE ONLY. You must have fully read and understand the safety and use information for your trampoline before beginning use of your trampoline.

Ensure the Enclosure frame has been assembled correctly per the instructions in the manual.

This Enclosure is designed and made for family domestic use only--by children over **6 YEARS of AGE**.

This Enclosure is **NOT** a rebounding device, and it should NEVER be used for any other purpose (play pen, dog run, etc.) or in a manner inconsistent with the information outlined in this manual.

NEVER attempt to rebound off of, swing or hang from the Safety Net or Enclosure poles, nor intentionally attempt to jump into or over the netting, as this may result in serious injury, paralysis or death and severe damage to the Enclosure and Trampoline. Pure Fun™ will not be responsible for any damage to the Trampoline and Enclosure or consequential injuries resulting from these practices.

Children **MUST NEVER** be left unattended inside the Enclosure.

We only recommend using this Enclosure with Pure Fun™ Trampolines. Any alterations to the construction or materials of this Enclosure or deviations from the assembly instructions may result in unforeseeable safety compromises, and the consumer assumes all responsibility for doing so.

ALWAYS ensure the entrance to the Enclosure is fully closed and secure before jumping on Trampoline.

ALWAYS assist children with entering and exiting the Enclosure to reduce the risk of falling.

NEVER use the Enclosure Poles or Safety Net as a handhold or grip to assist in entering or exiting the trampoline. This will result in damage to your Enclosure, for which Pure Fun™ is not responsible.

ALWAYS enter and exit the enclosure through the zippered opening ONLY; use caution to prevent falls and/or accidental strangulation.

NEVER attempt to crawl under or climb over the Safety Net to enter/exit the Enclosure area.

If the Safety Net material or any other part of the Enclosure becomes damaged, cease using the trampoline immediately. Either remove the Net and Enclosure frame from the trampoline **entirely** and continue use at your own risk, or cease use until you obtain the necessary replacement parts.

This Safety Net and Enclosure is **ONLY** intended to help prevent accidental falls from the trampoline mat/bed, and then ONLY during recommended jumping exercises as described in Pure Fun™ Trampoline manuals. If you do not have a Pure Fun™ trampoline manual, one can be obtained by calling 866-498-5269 or by sending a request to: customerservice@puregbi.com

DO NOT use when under the influence of alcohol, drugs or medication which may impair the jumper's judgement.

NEVER let children take items or toys into the Enclosure.

Before each use of this product, inspect the Safety Net, Enclosure Poles, and attaching hardware thoroughly. Replace any worn, defective or missing parts.

The frame of your Enclosure is made of steel and it will conduct electricity. No electrical equipment (lights, heaters, etc.) should be permitted in or around the enclosure under any circumstance.

This enclosure will significantly increase the height of your trampoline's frame. Make sure that there are no nearby power lines or overhead obstacles that will interfere with the normal usage of your trampoline.

ALWAYS remove jewelry, belt buckles, sharp objects, before entering the Enclosure.

NEVER wear loose fitting clothing, items, or articles with hooks, loops, or any features which can easily become snagged in the Safety Net.

Dispose of all packaging materials safely and per local ordinance.

TRAMPOLINE PLACEMENT

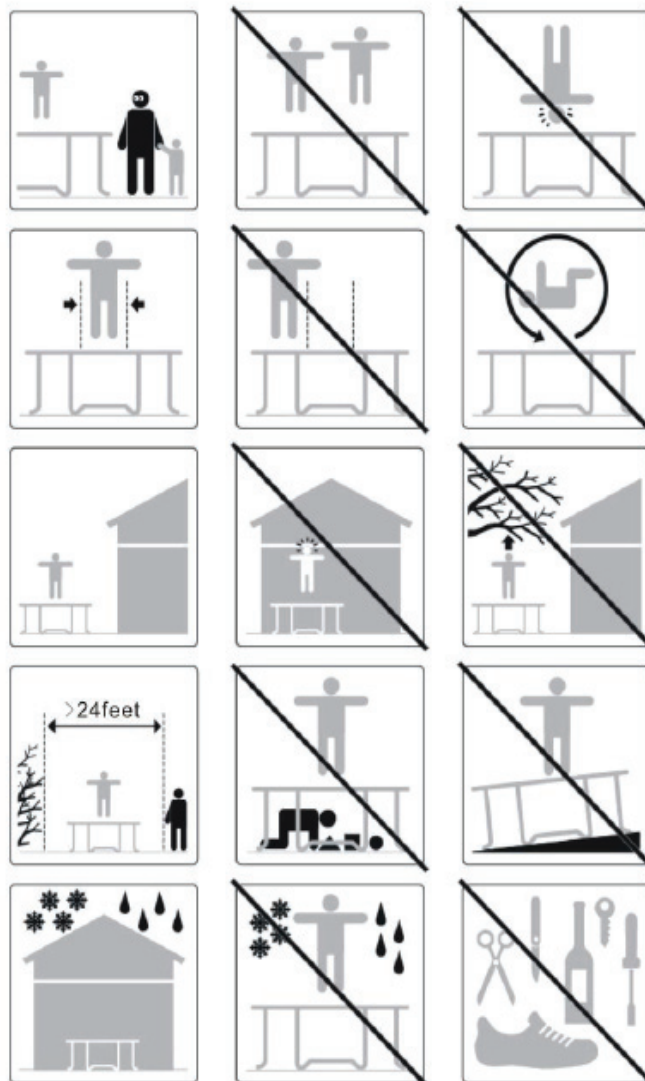
The minimum overhead clearance required is 26 feet (8 meters). Ensure that no hazards or obstructions are near the trampoline such as tree branches, swing sets, swimming pools, electrical power wires, walls, fences, roof overhangs etc.

Please be aware of the following when selecting a place for your trampoline:

- Trampoline must be placed on a level surface
- The area must be well-lit.
- All obstructions from overhead, underneath or around the trampoline must be removed.
- Do not use this trampoline indoors.
- Do not use this trampoline on any slippery/smooth floor surface, uneven or sloping ground surface
- Do not place the trampoline on hard surfaces, such as asphalt, stone, concrete etc, as this can damage the frame

You increase the risk of serious injury and/or death if you do not follow these guidelines.

⚠ WARNING!



Care & Use:

This enclosure must be assembled by adults. It must be erected exactly as detailed in the assembly instructions. Two adults are required to assemble this enclosure. This product should only be used by children over the age of 6. Please ensure children under the age of 3 years old do not play with or are given any part of this trampoline when being assembled or when complete as it contains small parts which may pose a choking hazard.

Please take care during assembly, as the manufacturing process can sometimes result in the occasional sharp edge and small pieces of waste metalwork. The use of gloves to protect your hands from pinch points during assembly is also strongly recommended. Should there be any missing parts; the enclosure must not be used until replacement parts have been fitted.

Your trampoline and enclosure must be placed on a flat and level surface which is well-lit. Under no circumstances should it be positioned on a hard surface such as concrete or asphalt, unless the ground under the trampoline plus the recommended free space area is covered with a safety surface. Examples of suitable surfaces are grass, sand or a play surface intended for this trampoline. It is important not to place or store anything under your trampoline.

Usage:

This Enclosure is designed and made for family domestic use and is not intended for use outside of these guidelines. Misuse can result in injury. Inspect the Trampoline and Safety Net before use and always replace worn, defective or missing parts. See also section on Safety Information for further information.

Supervision

Children must always be supervised while they are playing on a Trampoline, with or without an Enclosure, and must be instructed to not use the equipment in an inappropriate or hazardous manner. Never leave a child unattended while he or she is in the Enclosure or using the Trampoline. If you are supervising children, do not allow use of the Trampoline and Enclosure when under the influence of alcohol, drugs or other medications.

Remember!

This Safety Net and Enclosure is **ONLY** intended to help prevent accidental falls from the trampoline mat/bed, and then **ONLY** during recommended jumping exercises as described in our Pure Fun™ Trampoline manuals. If you do not have a Pure Fun™ trampoline manual, one can be obtained by calling 866-498-5269 or by sending a request to: customerservice@puregbi.com.

NEVER attempt to rebound off of, swing or hang from the Safety Net or Enclosure poles, nor intentionally attempt to jump into or over the netting, as this may result in serious injury, paralysis or death and severe damage to the Enclosure and Trampoline. Pure Fun™ is not responsible for any damage to the Trampoline and Enclosure or consequential injuries resulting from the above practices.

Safety Information

This Enclosure and Safety Net is only designed to:

- Assist in controlling entry/exit to the trampoline.
- Allow jumpers to gain confidence, balance, coordination and agility by providing the added safety of a fully enclosed jumping area.

DO NOT allow more than one (1) person on the trampoline at a time. Multiple jumpers increase the chance of someone becoming injured. Jumpers may collide with one another, fall off the trampoline, fall on or through the springs, or land incorrectly on the mat. Multiple jumpers increase the chances of loss of control, collision, and falling off. This can result in severe injury or death.

Always secure the trampoline against unauthorized and unsupervised use.

The frame of your enclosure is made of steel and it will conduct electricity. No electrical equipment (lights, heaters, extension cords, household appliances, etc.) should be permitted on or around the equipment under any circumstances to avoid the risk of electrocution.

As your trampoline mat is raised off the ground, there is the risk of a fall when exiting the trampoline through the zippered "door" of the Safety Net. Children should be assisted when entering and exiting the Safety Net so to reduce their risk of falling and accidental strangulation.

Adult supervision of children – Children should always be supervised while they are playing on the trampoline, with or without an Enclosure, and should be instructed not to use it in an inappropriate or hazardous manner.

Do not flip, somersault or perform maneuvers which may cause you to land on the head or neck. Paralysis or death can result even if you land in the middle of the trampoline mat (bed). To reduce the chance of landing on your head or neck, never do somersaults (flips).

We recommend that the user does not wear loose-fitting clothing or jewelry that may catch or snag during play. Children should NOT wear helmets while playing on the trampoline. Ensure that children do not walk or crawl underneath the trampoline even when not in use. Keep the area around and underneath free from all objects and obstacles at all times.

Only the zippered "door" of the Safety Net should be used to enter or exit the Safety Net.

IMPORTANT: You should not use the trampoline and enclosure if you have a medical history of neck or back injuries or a mental or physical condition – an existing condition or injury dramatically increases the risk of serious injury or death.

No modification should be carried out to the enclosure or any of its components. Any modification could lead to damage to the product or result in a personal injury.

WEATHER CONDITIONS: Special care should be taken as weather conditions change. In particular, a wet trampoline mat (bed) is too slippery for safe jumping. Gusty or severe winds can cause jumpers to lose control. To reduce the chance of injury, use the trampoline only under appropriate weather conditions. In cold weather, tongues and lips can stick to metal at sub zero temperatures. In warmer and sunnier weather, parts can become extremely hot, and the temperature should be regularly checked during play, especially metal parts.

HIGH WINDS: It is possible for the trampoline and enclosure to be blown about by high wind. If you anticipate high winds, the enclosure **must** be removed and stored in a sheltered location. Pure Fun™ is not responsible for any damage to property or product resulting from wind or extreme weather.

Supervisor's Role in Preventing Accidents

This Enclosure is designed and made for family domestic use only by people 6 years and older. It is not a rebounding device. It is designed only to assist in controlling entry to the trampoline and allowing trampoline jumpers to gain confidence, balance, coordination and agility by providing the added safety of an enclosed jumping area. Never use an Enclosure for anything other than its intended purpose.

It is the responsibility of the supervisor(s) of trampoline and Safety Net users to provide knowledgeable and mature supervision. They need to know and enforce all the rules and warnings set forth in both the trampoline and Safety Net manual in order to minimize the likelihood of accidents and injuries and to inform users of these rules. During periods of time when supervision is unavailable or inadequate, this may require that the Trampoline and Safety Enclosure be disassembled, placed in a secure area, or otherwise secured against unauthorized use. It is the responsibility of the supervisor(s) to be sure that the users are fully aware of the safety guidelines.

Adult supervision of children – Children should always be supervised while they are playing on the trampoline fitted with an Enclosure and should be instructed not to use it in an inappropriate or hazardous manner. In particular be aware of:

- The objects children bring into the Enclosure
- Children's activities inside the Enclosure
- Children hanging from, swinging on, pulling on, and jumping into the Safety Net or Poles.
- Conditions inside the enclosure when children are using it
- The method children enter and exit of the Enclosure

DISPOSAL INFORMATION

Never allow the trampoline parts to be placed or used near a fire. If it becomes necessary to dispose your equipment, remove springs and disassemble. Store safely & out of reach of children until it can be properly disposed of. Remember to dispose it in a safe place and manner so as not to present any safety hazards.

Check with your local recycler or retailer for recycling or disposal advice.

These instructions are issued in the interest of general safety for the public.

!WARNING!

Misuse and abuse of a trampoline with or without a Safety Enclosure is dangerous and can cause serious injury or death

IMPORTANT

It is essential that the intended site for this trampoline is completely flat and level. If the ground is not level this will cause movement in the frame and could cause stress on the joined sections. The recommended safe play area is 8 feet (2.5m) around the trampoline on all sides and 26 feet (8m) above the top.

REMOVE all obstacles from play area. A safe play area must be on level ground, free from all structures, landscaping, trees and branches, rocks, wires, sprinkler heads and other obstacles. Children can be seriously injured running or colliding into such obstacles.

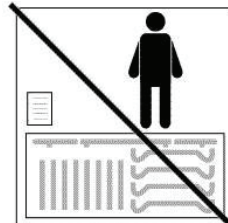
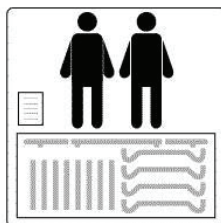


NO MORE THAN ONE PERSON AT A TIME ON THE TRAMPOLINE!! MULTIPLE JUMPERS WILL INCREASE THE RISK OF INJURY SUCH AS BROKEN NECK, LEG, BACK OR HEAD INJURY.



DO NOT PERFORM SOMERSAULTS (FLIPS) AS THIS WILL INCREASE RISK OF LANDING ON HEAD OR NECK RESULTING IN INCREASED RISK OF SERIOUS INJURY OR DEATH.

ADULT ASSEMBLY REQUIRED



TWO ADULTS ARE REQUIRED TO ASSEMBLE

Enclosure Parts List & Assembly Instructions

Please read the following instructions carefully prior to assembly.

PRIOR TO ASSEMBLING:

Please refer to the table for part descriptions and numbers.

The assembly instruction uses these descriptions and numbers as reference.

Make sure you have all parts listed. If you are missing any parts, please contact customer service at customerservice@puregbi.com or by calling 866-498-5269.

**FOR PURE FUN #9015T or
TRAMPOLINES WITH 10 LEGS: ~54 in. APART ONLY (sold separately)**

Parts List - 15' Enclosure - 8 Poles

Part Number	Description	15' (5 Legs)
1	Upper Pole	10
2	Lower Pole	10
3	Steel Jig (U-shaped Bar/Plate)	20
4	Screw Set	40
5	Safety Net	1
6	Spacer	20
7	Pole Cover	10
8	Pole Cap	10
9	Safety Nut	40
10	Wrench	1

PARTS DIAGRAM FOR ENCLOSURE

1. Upper Pole



2. Lower Pole



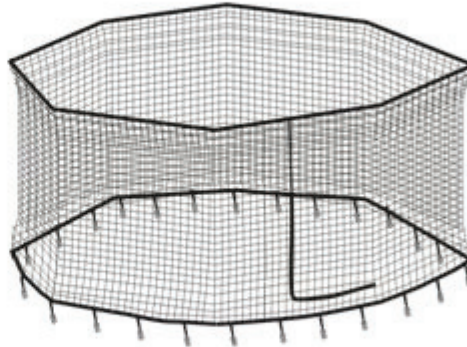
3. Steel Jig



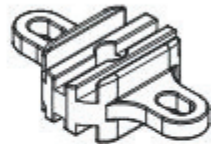
4. Screw Set



5. Safety Net



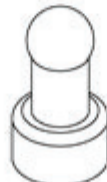
6. Spacer



7. Pole Cover



8. Pole Cap



9. Safety Nut



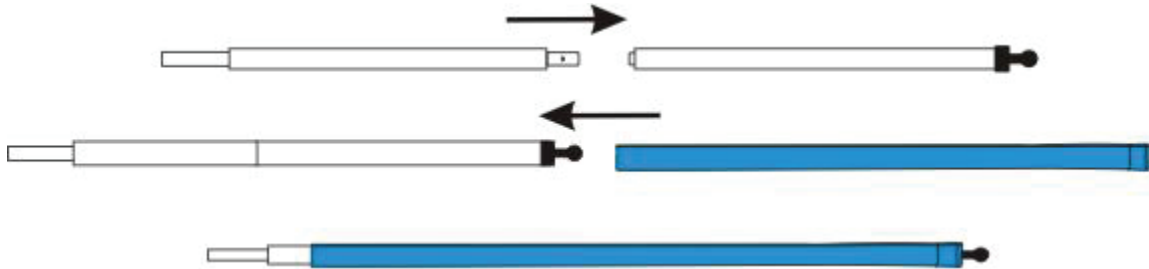
10. Wrench



Read the Safety Warning information on Page 5 before assembling or using your Enclosure.

STEP 1 – Pole Assembly

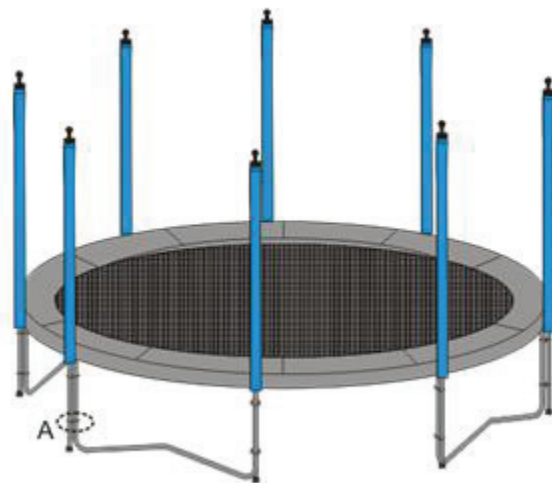
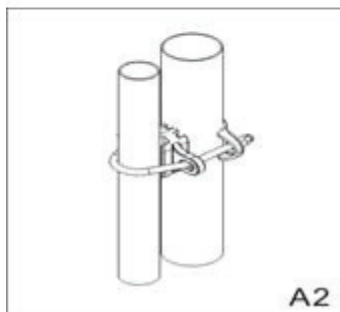
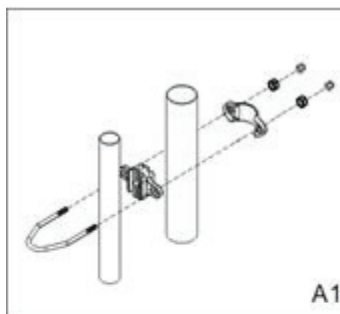
- A.** Put the Upper (1) and Lower (2) sections of the Enclosure Poles together as shown below.
- B.** If necessary, attach the Pole Caps (8) to the tops of each Enclosure Pole.
- C.** Slide the Pole Covers (7) over the connected Enclosure Poles.



STEP 2 – Attach Poles to your Trampoline (trampoline sold separately)

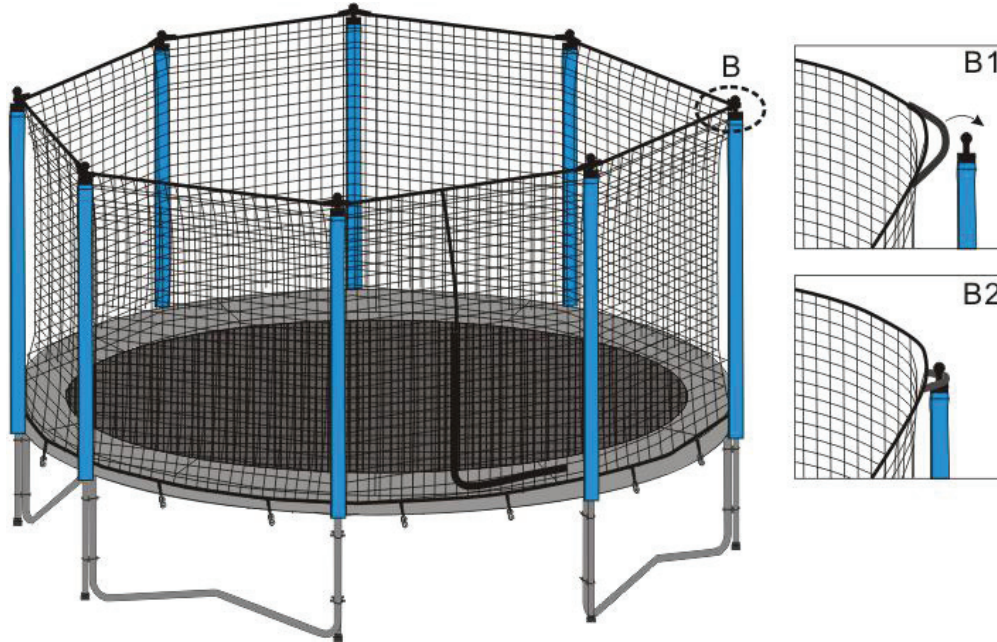
Note: Each Enclosure Pole requires **2x U-Shaped Bar & Metal Plate assemblies** to attach it to a Trampoline leg. For positioning, the Enclosure Pole bottoms should reach the base of the Trampoline legs, with the rubber feet securely on the ground.

- A.** As shown in Diagrams A1 and A2 below, place the Enclosure Pole against the Trampoline leg, making sure to place the Spacers between each pole and leg.
- B.** Insert each U-shaped Bar through the plastic Spacers and into the Metal Plates. **MAKE SURE** that the U-Shaped bar has its threaded ends facing **towards the center** of the trampoline, and **not outwards**. Position the lower U-Shaped bar near the bottom of the Trampoline leg, but **above** any bend in the tubing. Position the upper U-Shaped bar near the top of the Trampoline leg, but **under** the T-section flange (Pure Fun Trampolines only), or other fastening array.
- C.** Secure U-Shaped Bar to Metal Plates with Nuts (4). Once fully tightened, place Safety Cap on each end.
- D.** Once the assembly has been completed properly, the support poles should resemble the bottom right diagram below.

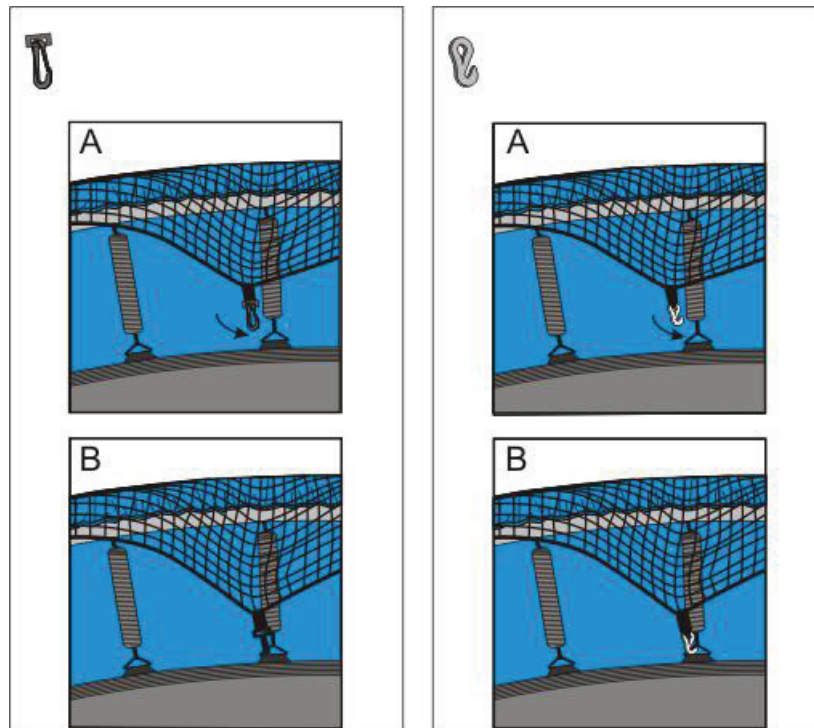


STEP 3 – Attach Safety Net Top

- A.** Locate the section on the Safety Net with the zippered “doorway” and align it to the desired position you want it to be at on the trampoline.
- B.** Make sure you note that the sewn edge with the elastic bands w/hooked-ends is the bottom of the net.
- C.** Locate the edge with the pre-sewn hanging loops (the upper edge) and hook a loop at the top of each pole.
- (See Diagrams B1 and B2)
- D.** C. Once the assembly has been completed properly, the Safety Net should resemble the diagram below.

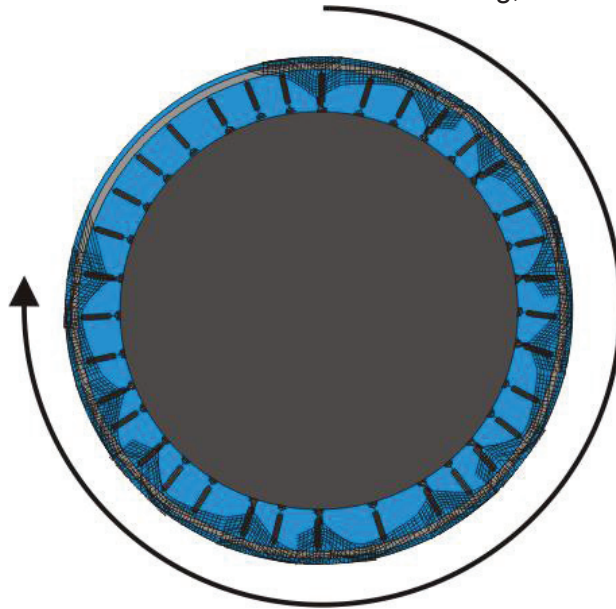


NOTE: Using the below diagrams, locate your Enclosure Hook type and follow these corresponding instructions when attaching the enclosure bottom as instructed in **STEP 4- Attach Safety Net Bottom**



STEP 4 – Attach Safety Net Bottom

- A.** Hook the Net to the V-Rings on the trampoline mat **in the direction shown in the diagram below.**
- B.** The Safety Net will begin to be pulled taut, and tighten around the frame as you proceed. **Use caution on pinch points**, and apply the necessary force to attach the remaining bands to the V-Rings. **NEVER** pull the Safety Net from the elastic bands or the mesh netting, as the fabric may tear. Always pull the net from the sewn seam.



- C. As mentioned above, the Safety Net will become very tight as you near completion. It can be helpful to have another adult assist you in completing this process. The Safety Net should be very tight and will stretch enough to wrap around the frame, but be careful not to pull too hard from the netting or the bands themselves--try to direct most of the force from the sewn edges.



IMPORTANT CHECK LIST AFTER COMPLETION OF ENCLOSURE ASSEMBLY

- 1. ENSURE THAT ALL ATTACHMENT HOOKS ARE STRETCHED TIGHT**
- 2. ENSURE THAT ALL JIGS ARE FASTENED SECURELY**
- 3. ENSURE THAT THE SAFETY NET IS TAUT AND SECURED TIGHTLY (NO SAGGING)**
THE SAFETY NET WILL NOT FUNCTION PROPERLY OTHERWISE

SECURE THE NET ENTRANCE WHEN TRAMPOLINE IS IN USE!

CARE AND MAINTENANCE

With all products it is vital that the equipment is checked regularly and often by an adult. The complete product should be checked at least once a month and particular attention should be paid to connections, and fastenings. If any parts exhibit signs of wear and tear, they may need to be replaced. Failure to do this may result in the product malfunctioning and causing an injury.

The product must not be used until properly installed and checked. Galvanized Steel products may require occasional maintenance. If surface rust appears, it should be removed with either a wire brush or coarse sandpaper and the area treated with non-toxic paint.

Please take care during assembly as the manufacturing process can sometimes result in the occasional sharp edge and small pieces of waste metalwork. The use of gloves to protect your hands from pinch points during assembly is also recommended. Should there be any missing parts; the Enclosure and Trampoline must not be used until replacement parts have been fitted.

To avoid damage to the Safety Net, do not allow pets or other animals inside. Their claws and teeth can damage the netting and the trampoline mat.

Make sure that no bonfires, open flames or fireworks are lit close enough to threaten your Trampoline and Enclosure. In windy conditions, sparks and embers can travel significant distances and burn holes in both the Safety Net netting and Trampoline Mat.

Any large Trampoline, with or without a Enclosure, can be blown around in high winds and cause injury or damage. We recommend that the Safety Net should be removed under these conditions and stored in a dry place. Pure Fun™ is not responsible for any damage to product or property occurring from high winds or extreme weather conditions.

NEVER use the Enclosure Poles or Safety Net as a handhold or grip to assist in entering or exiting the trampoline. This will result in damage to your Enclosure, for which Pure Fun™ is not responsible.

NEVER attempt to rebound off of, swing or hang from the Safety Net or Enclosure poles, nor intentionally attempt to jump into or over the netting, as this may result in serious injury, paralysis or death and severe damage to the Enclosure and Trampoline. Pure Fun™ is not responsible for any damage to the Trampoline and Enclosure or consequential injuries resulting from the above practices.

IF YOU DISCOVER ANY OF THE ABOVE CONDITIONS, OR NOTICE ANYTHING ELSE THAT YOU FEEL COULD CAUSE BODILY HARM OR DAMAGE TO YOUR TRAMPOLINE AND ENCLOSURE, THIS PRODUCT SHOULD BE DISASSEMBLED AND/OR SECURED FROM USE UNTIL THE CONDITION(S) HAVE BEEN RECTIFIED.

FREQUENTLY ASKED QUESTIONS

Question: “My net seems too tight for the frame, but it’s the right size for my trampoline, what’s going on?”

Answer: THE NETTING IS DESIGNED TO FIT SNUGLY AROUND THE TRAMPOLINE FRAME, AND AS SUCH YOU WILL NEED TO EXERT REASONABLE FORCE TO SECURE IT TO THE UNDERSIDE OF THE TOP RAIL. DO NOT PULL THE NETTING FROM THE FABRIC ITSELF, OR FROM THE ELASTIC BANDS. ALWAYS STRETCH THE MATERIAL FROM THE SEWN SEAMS.

Question: “I need to order a new net” or “I need to order a replacement poles or other replacement parts, who do I contact?”

Answer: YOU CAN PURCHASE SPRINGS, FRAME PADS, JUMP MATS, AND EVEN LARGE STEEL DIRECTLY FROM PURE FUN. PLEASE SUBMIT YOUR REQUEST VIA E-MAIL AT: customerservice@puregbi.com, OR YOU CAN CALL 888-498-5269 TO SPEAK WITH A REPRESENTATIVE. IF YOU STILL HAVE YOUR PROOF OF PURCHASE, YOU MAY BE ELIGIBLE FOR A DISCOUNTED RATE EVEN IF YOU ARE OUT OF WARRANTY.

Question: “Something was missing from the packaging,” or “I discovered a damaged piece. What should I do?”

Answer: CONTACT PURE FUN CUSTOMER SERVICE AT: customerservice@puregbi.com or by calling 888-498-5269. YOU MUST HAVE YOUR PROOF OF PURCHASE AND/OR ORDER CONFIRMATION AVAILABLE TO BE CONSIDERED FOR WARRANTY REPLACEMENT. YOU MUST REPORT MISSING PIECES WITHIN 30 DAYS FROM DATE OF PURCHASE. PLEASE BE AWARE THAT UNDER OUR LIMITED WARRANTY, FOR SOME PARTS WE REQUIRE A PICTURE OF THE DAMAGED ITEM AND/OR RETURN OF THE ITEM TO OUR QUALITY CONTROL OFFICE FOR REVIEW.

For more information on this product please visit www.pureglobalbrands.com or call: 866-498-5269

Pure Fun Trampoline Accessories

Trampoline Anchor Kit - 9201AK

The Pure Fun Trampoline Anchor Kit is designed to help secure large trampolines against rough weather. Kit includes 4 Tie-down straps, D-rings, and ground anchor stakes.



15' Trampoline Cover - 9215TC

Pure Fun's all-weather Trampoline Covers protect and prolong the life of your trampoline. Useful in keeping leaves and other debris off of the jumping mat, this heavy duty 130g polyethylene cover resists harmful UV rays, rain and snow.

(Enclosure must be removed to attach this product)



12-Pack Replacement Springs - 9202SK

Replacement 7" trampoline springs for all Pure Fun Large Trampolines (12' through 15'). Pack of 12.

(Spring Tool not included)



Trampoline Ladder - 9200TL

Made from high-carbon steel, this ladder measures 38" high, perfect for added safety in mounting and dismounting Pure Fun trampolines.



**CALL 866-498-5269 FOR PRICING AND
AVAILABILITY ON THESE ITEMS, OR VISIT
www.pureglobalbrands.com**