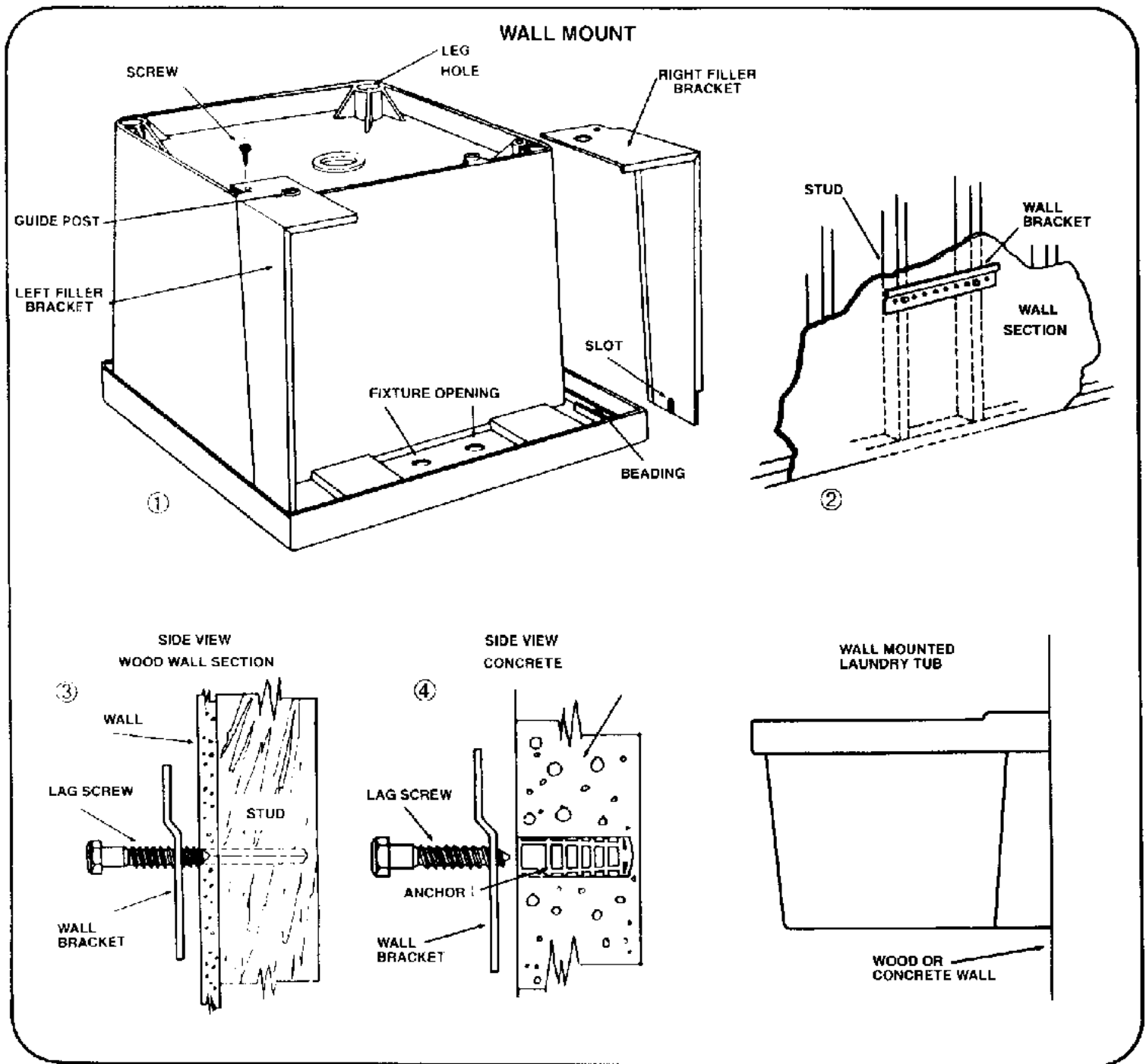


Installation Procedure for ST-1W/BC-4450 FIBERGLASS LAUNDRY TUB



1. Wall mount laundry tub—place laundry tub on flat surface, bottom up. Locate left and right filler brackets over guide post and screw hole. Be sure the slot at the end of each panel is fitted over provided beading for locking panel in position. Once in place, insert screws provided into screw holes and do not over tighten.

2. & 3. Hanging bracket for wood stud wall—locate your studs. . . mark wall for comfortable working height and position hanging bracket 1" below. Be sure you mark holes to be drilled over studs. Use a bubble level to assure levelness of bracket. When drilling holes be sure to use a drill bit slightly smaller than the size of the screws. (Included) See drawings and detail.

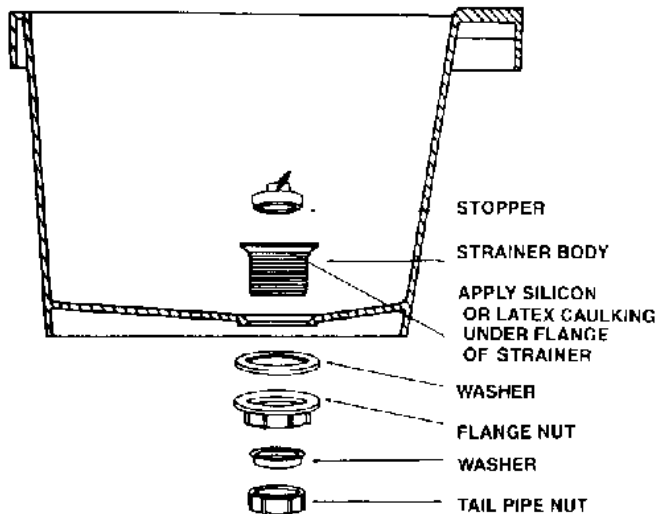
4. Hanging bracket on concrete or cement wall—position the hanging bracket in the same manner as above, but note that attaching to concrete or cement walls requires an anchor fitting for the screw. Use a bit designed for this surface and drill a hole slightly smaller than the provided anchor. Then attach the bracket with the lag screw and draw them up firmly, but not too tight. See drawings and detail.

After securing all plumbing. . . attach the complete drain fixture in sequence shown. See drawings and detail on back.

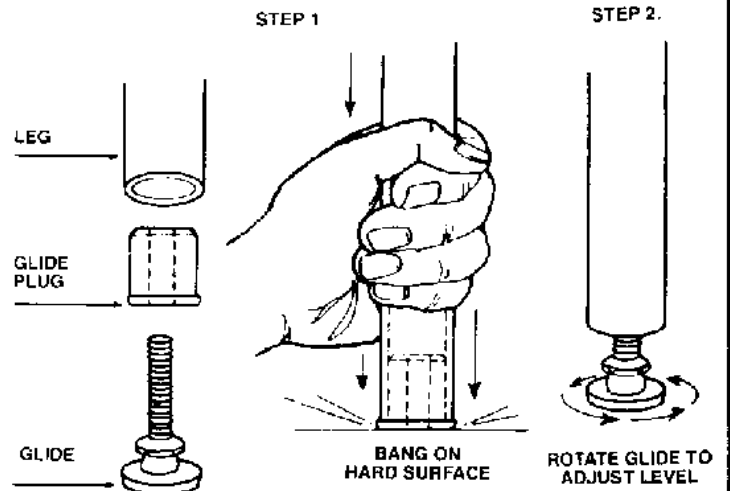
Installation Procedure for ST-1F/BC-4400 FIBERGLASS LAUNDRY TUB

FLOOR MOUNT

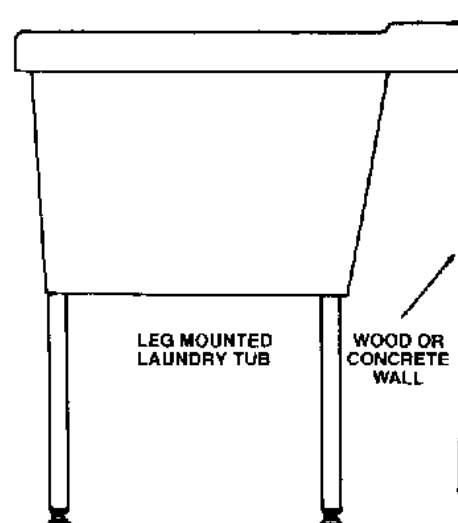
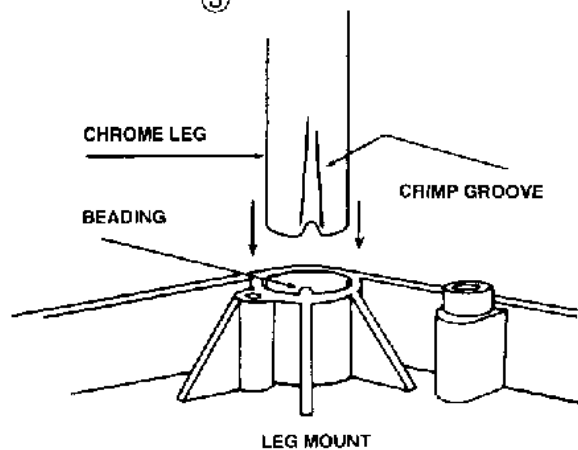
① SINK CUT-A-WAY



② LEG ASSEMBLY



③



1. After securing all plumbing . . . attach the complete drain fixture in sequence shown. Note that it is necessary to apply silicon or latex caulking to the flange before tightening down in position. After assembly, tighten entire unit and check for leaks.

2. Leg mounted laundry tub—each of the four legs is provided with a combination metal/plastic adjustable glide.

Step 1. Place the end of the glide plug into the round end of each leg, grasp leg firmly and with a downward thrust bang the entire unit on a hard surface until the glide plug has been completely seated.

Step 2. Screw the adjustable glide into the threaded holes of the plug.

3. Installing legs—with your laundry tub upside down . . . locate the crimped end of each chrome leg . . . align the crimped end with the tapered beading inside each molded leg hole of the laundry tub. Insert leg, being sure that the crimp matches the position of the beading, and then push inward until completely seated. It may be necessary to twist each leg slightly to achieve a firm seating. Set laundry tub upright, adjust glides when in place.