

INSTALLATION INSTRUCTIONS

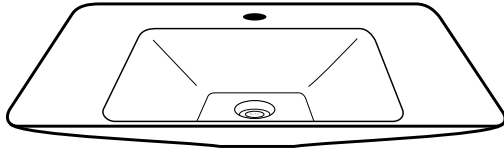
EPIC LAVATORIES:

Model 15040

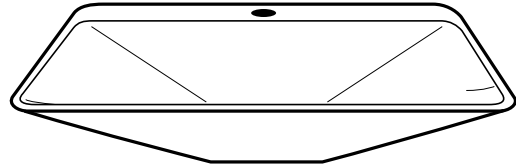
Model 15030 - Thin

Model 15020 - Round

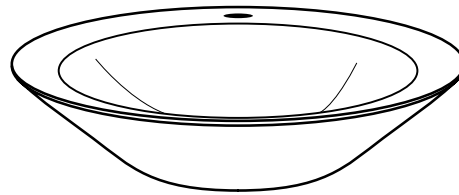
Porcher



EPIC LAVATORY 15040



EPIC THIN LAVATORY 15030



EPIC ROUND 15020

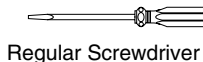
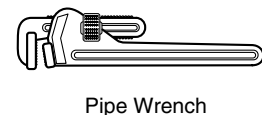
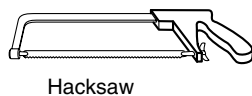
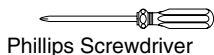
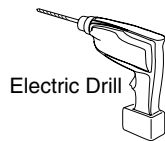
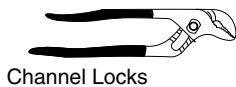
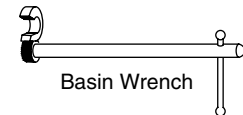
Thank you for selecting Porcher - the benchmark of fine quality. To ensure this product is installed properly, please read these instructions carefully before you begin. (Certain installations may require professional help.) Also be sure your installation conforms to local codes.

⚠ CAUTION: EPIC LAVATORIES ARE VERY HEAVY. USE EXTREME CARE WHEN HANDLING.

NOTE: Pictures may not exactly define contour of china and components.

RECOMMENDED TOOLS AND MATERIALS

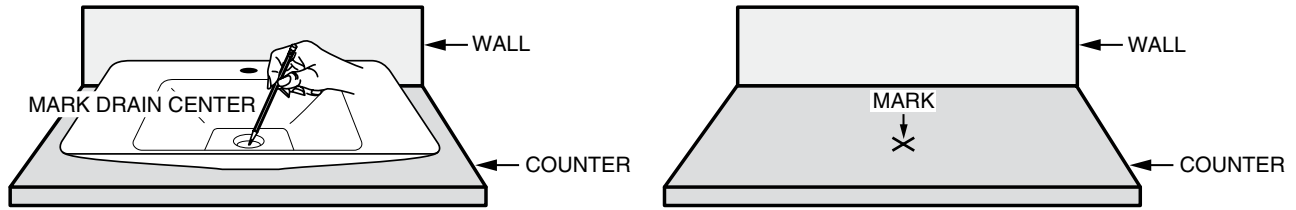
Most of the procedures require the use of common tools and materials, which are available from hardware and plumbing, supply stores. It is essential that the tools and materials be on hand before work is begun.



NOTE: More specialized tools may be necessary to install this sink to countertop materials other than wood or wood composites.

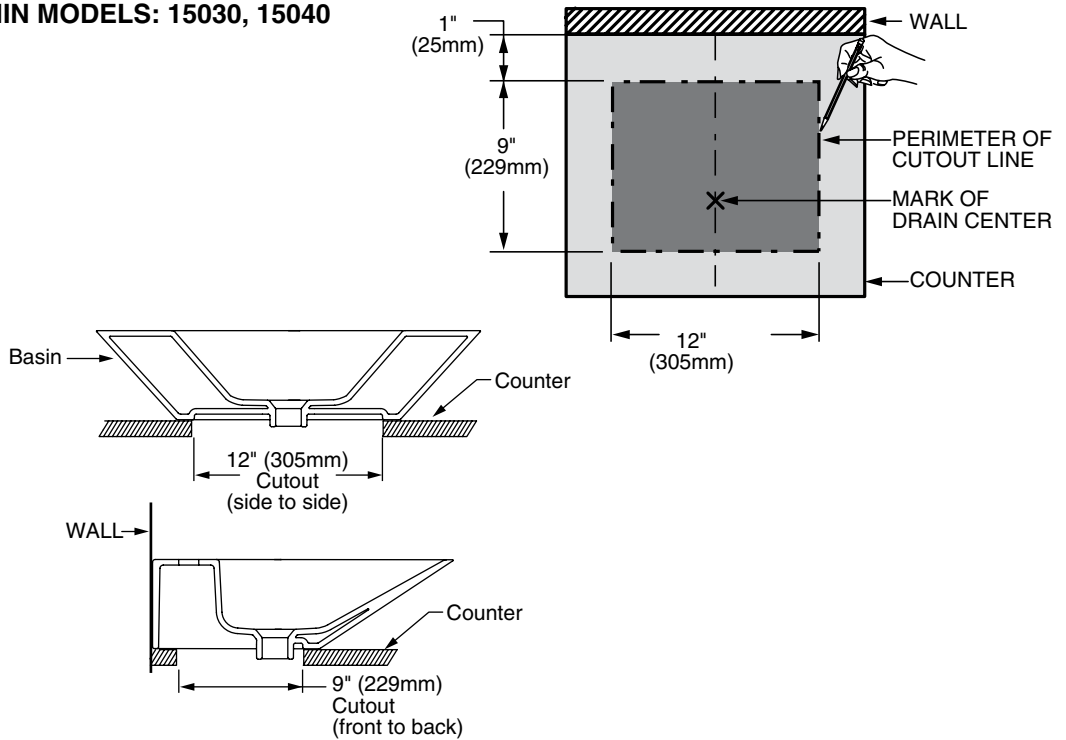
1 ABOVE COUNTER EPIC LAVATORIES:

Position the lavatory in place temporarily on the counter (against the wall if MODELS 15030 or 15040) and mark the center of the drain on the counter as a guide for the installation location.



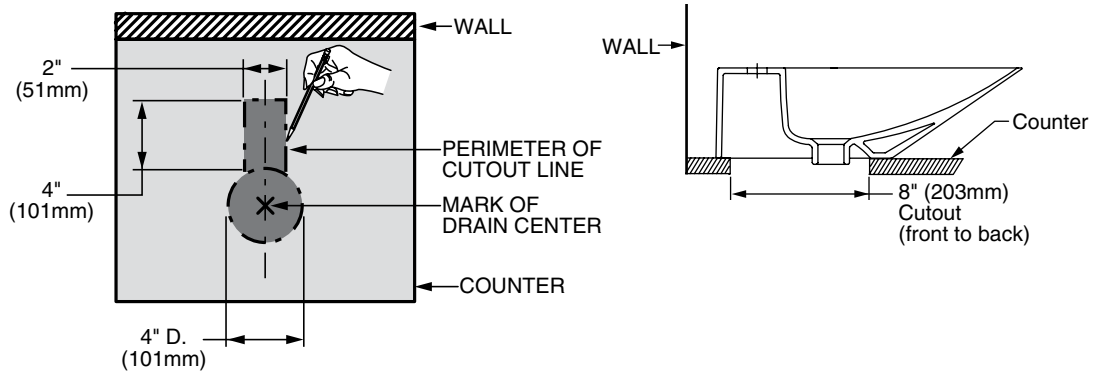
2a MARK COUNTER CUTOUT EPIC and EPIC THIN MODELS: 15030, 15040

Mark the perimeter (12" x 9" rectangle) of the counter cutout 1" away from the wall (see diagram). The mark of the center of the drain should be on the centerline of the rectangle.

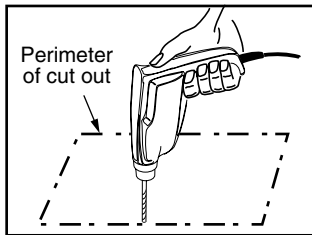


2b MARK COUNTER CUTOUT EPIC ROUND MODEL: 15020

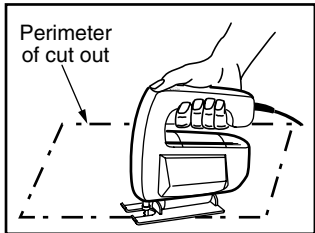
Mark the perimeter of the counter cutout (see diagram). The mark of the center of the drain should be the center of the 4" circle. Then mark the 4" x 2" rectangle.



3

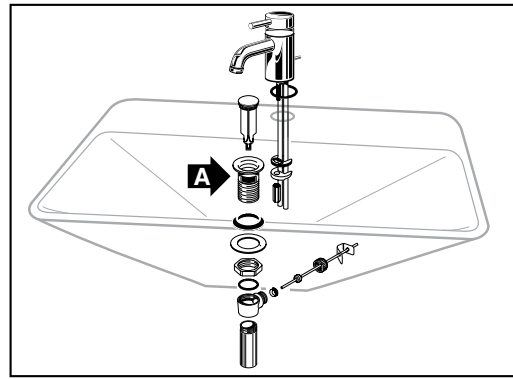


Drill a clearance hole just inside the perimeter line.



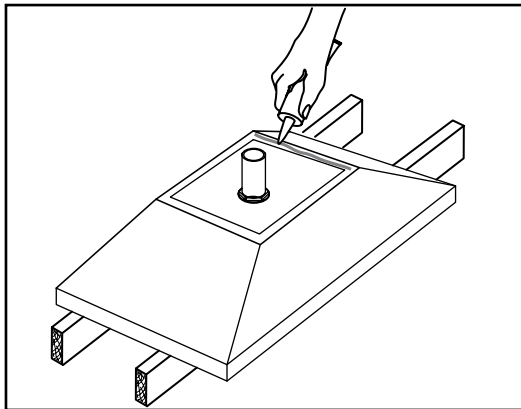
Cut opening along the perimeter of the cut out line.

4



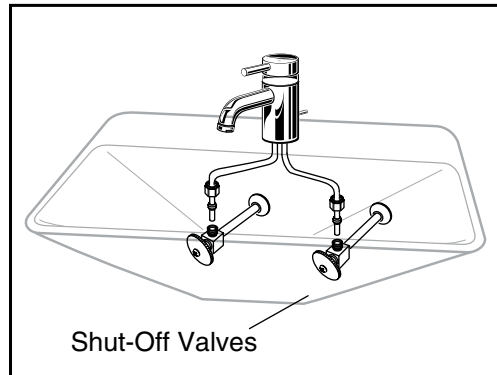
Mount the faucet and drain assembly (not included) on the sink following the manufacturer's instructions. Be certain to apply a bead of sealing putty on the underside of the drain (Part "A") in order to ensure a watertight seal between the sink and drain. Remove excess putty after installing drain on sink.

5



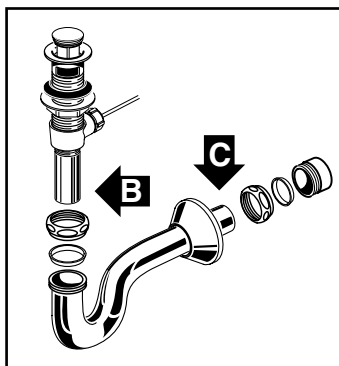
After checking fit and alignment, turn sink upside down and apply clear silicone adhesive around the under side of the rim near the edge. Place sink in position. Wipe off excess adhesive.

6



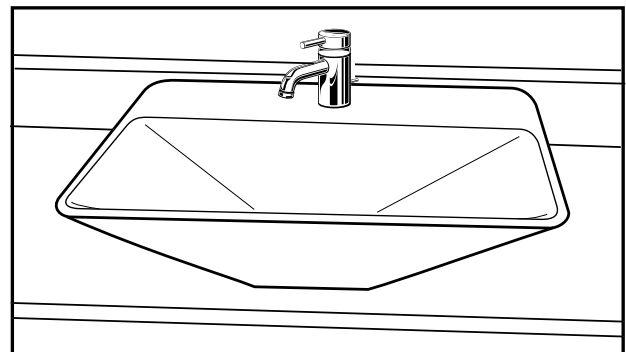
Connect supply line to faucet (finger tight) and carefully bend tubes to engage with the supply shut-off valves. Tighten connections at faucet and shut-off valves for secure seal.

7



Connect trap to drain assembly hand tight to check alignment. It may be necessary to cut off part of the tailpiece (area "B") or part of the horizontal leg of the trap (area "C"). Secure joints for watertight assembly.

8



CARE AND MAINTENANCE

Do not use harsh abrasives or caustic cleaners to clean fixture surfaces. A mild detergent, warm water, and a soft cloth will remove normal dirt and soap accumulations from fittings and surfaces. Rinse thoroughly after cleaning and polish with a soft dry cloth to restore original luster of material.

PORCHER ONE-YEAR LIMITED WARRANTY

If inspection of this Porcher plumbing product, within one year after its initial purchase, confirms that it is defective in materials or workmanship, Porcher will repair or, at its option, exchange the product for a similar model.

This warranty **does not apply** to local building code compliance. Since local building codes vary considerably, the purchaser of this product should check with a local building or plumbing contractor to insure local code compliance before installation.

This warranty **shall be void** if the product has been moved from its initial place of installation; if it has been subjected to faulty maintenance, abuse, misuse, accident or other damage; if it was not installed in accordance with Porcher's instructions; or if it has been modified in a manner inconsistent with the product as shipped by Porcher.

Porcher's option to repair or exchange the product under this warranty does not cover any labor or other costs of removal or installation, **nor shall Porcher be responsible for any other incidental or consequential damages attributable to a product defect or to the repair or exchange of a defective product, all of which are expressly excluded from this warranty.** (Some states or provinces do not allow the exclusion or limitation of implied warranties, so this exclusion may not apply to you.)

This warranty gives you specific legal rights. You may have other statutory rights that vary from state to state or from province to province, in which case this warranty does not affect such statutory rights.

For service under this warranty, it is suggested that a claim be made through the contractor or dealer from or through whom the product was purchased, or that a service request (including a description of the product model and of the defect) be sent to the following address:

In the United States:

Porcher Inc.
P.O. Box 6820
Piscataway, New Jersey 08855
Attention: Director of Consumer Affairs

For residents of the United States, warranty information may also be obtained by calling the following toll free number: (800) 359-3261
www.porcher-us.com

In Canada:

Porcher,
2480 Stanfield Rd.
Mississauga, Ontario
Canada L4Y 1S2

Toll Free: (800) 387-0369

In Mexico:

Porcher,
Planta Santa Clara
Via Morelos #330
Santa Clara Coatitla
de Morelos 55540
Estado de Mexico, Mexico