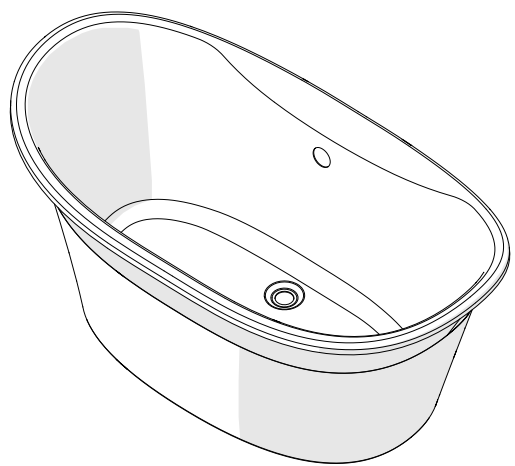
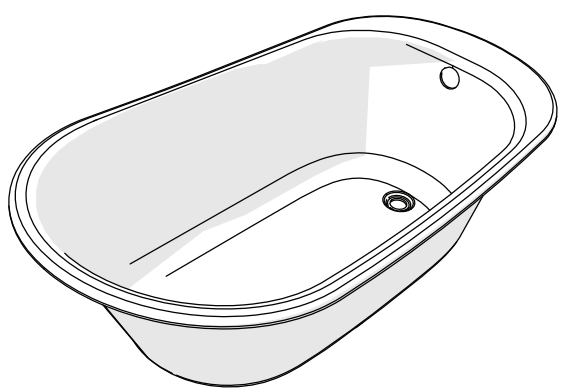




INSTALLATION INSTRUCTIONS 1PIECE FREESTANDING BATHTUB



A two person installation is recommended.

Read all instructions carefully before proceeding.

SAVE THIS GUIDE FOR FUTURE REFERENCE.

IMPORTANT • Record the serial number

Serial number

Table of contents:

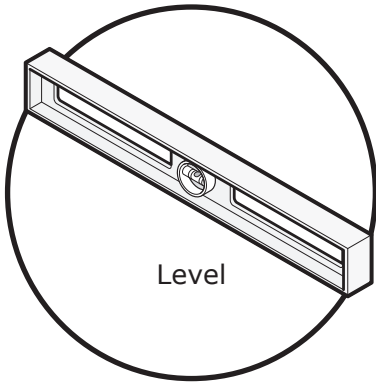
Page

Before you begin.....3
Tools and supplies.....4
1. Unpacking the unit.....5
2. Leveling legs adjustment.....6
3. Bathtub skirt and drain positioning.....7
4. Faucets installation (not included).....8
5. Bathtub preparation and installation.....9-11
Troubleshooting and maintenance.....12
Warranty.....12

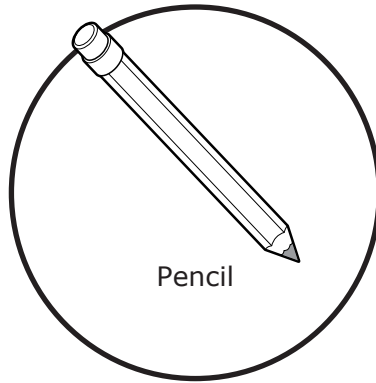
BEFORE YOU BEGIN

- **Carefully read the all the instructions in the manual before beginning the installation.**
- Consult local building codes to make sure the installation complies with standards.
- Remove the unit from its packaging. Before disposing of it, inspect the unit to make sure it is in good shape. Should inspection reveal any damage or defect in the finish, contact your distributor. The warranty does not cover damages or defects in the finish once the unit has been installed. Laurel Mountain's responsibility for shipping damages ceases upon delivery of the product in good order to the carrier. All complaints regarding damage due to transport must be made directly to the carrier.
- Place the unit in the bathroom before you start working. Sectional units should be disassembled if necessary. Conserve all nuts and bolts.
- To protect the unit during installation, we recommend that you lay a piece of cardboard on the bottom.
- **If the unit is covered with polyethylene protective film, do not remove until installation is complete to grant maximum protection. However, remove film where two surfaces will be in permanent contact.**
- **Install all plumbing and drainage before securing the unit. It is always recommended to have a professional plumber do the plumbing installations. See rough-in information for your model on our website.**

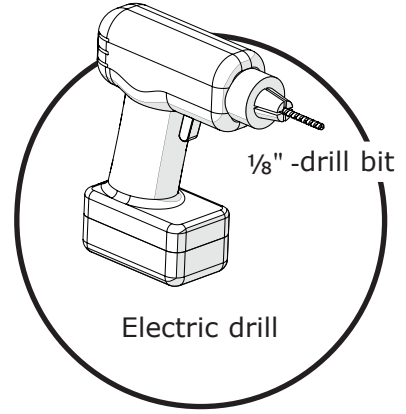
TOOLS REQUIRED



Level

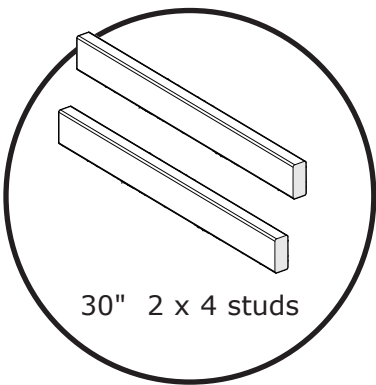


Pencil



1/8" -drill bit

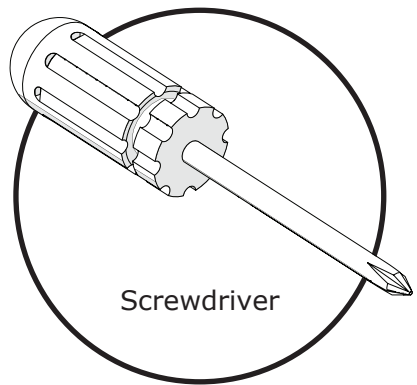
Electric drill



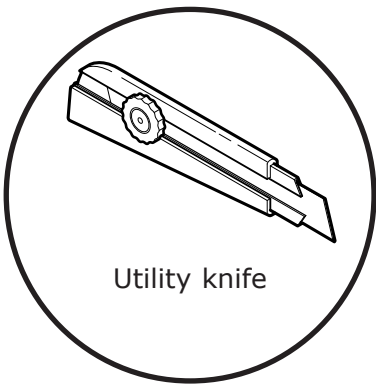
30" 2 x 4 studs



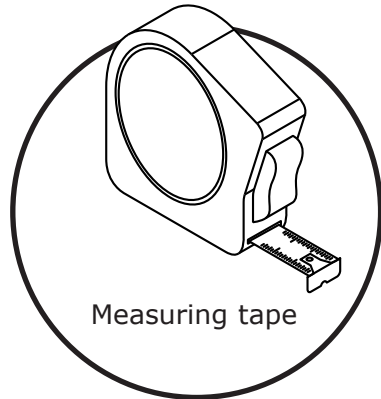
Safety equipment



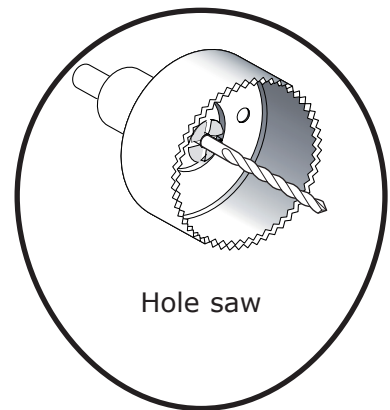
Screwdriver



Utility knife

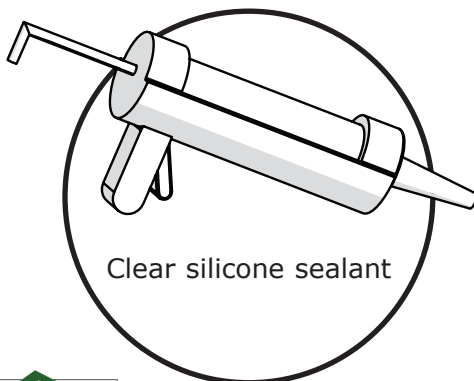


Measuring tape

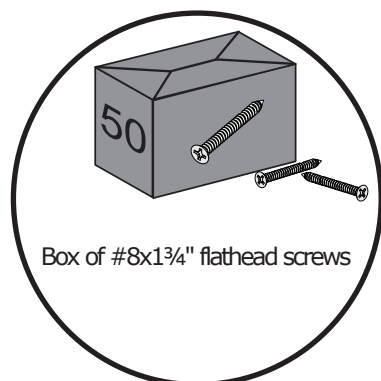


Hole saw

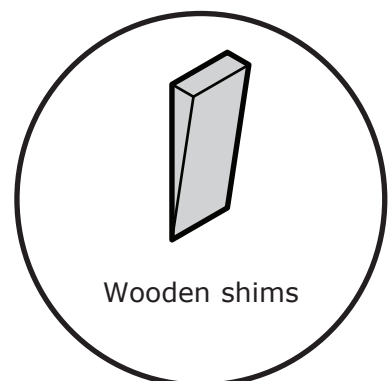
SUPPLIES SOLD SEPARATELY



Clear silicone sealant



Box of #8x1 3/4" flathead screws



Wooden shims

Follow all instructions and check them off as you go.



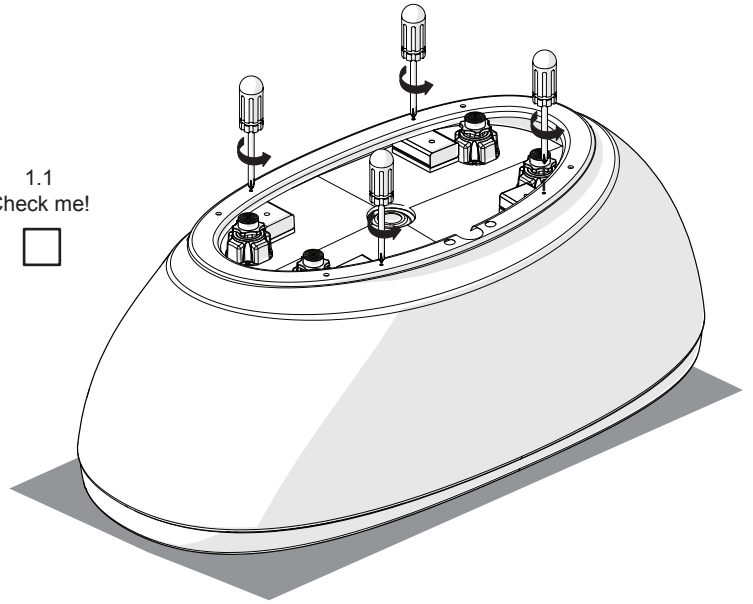
STEP 1 Unpacking the unit

Cut the cardboard box so as to keep one side to protect the bathtub while it is upside down. Turn the bathtub upside down. Unscrew the skirt from the wooden blocks.



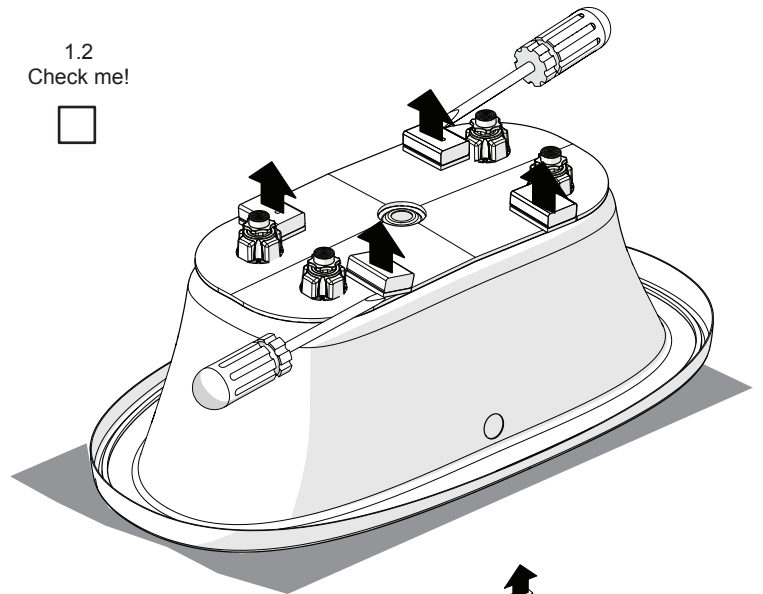
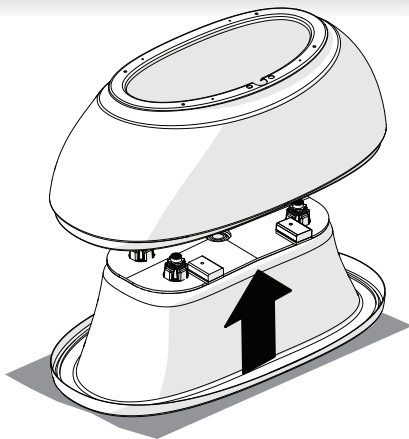
Not all bathtubs have screws and wooden blocks holding the skirt and the bathtub together.

1.1
Check me!

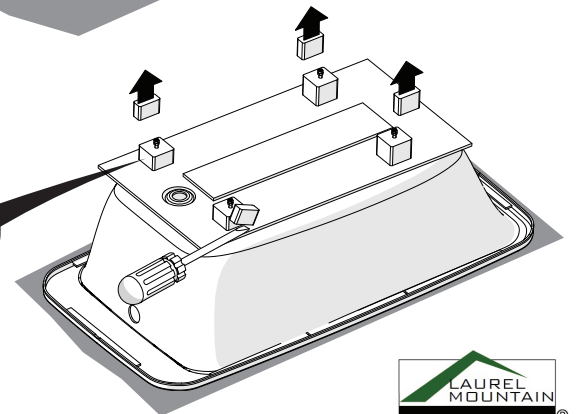
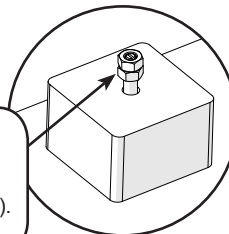


Remove the skirt. Insert a flat-head screwdriver between the wooden blocks and the wood plank to remove the blocks.

1.2
Check me!

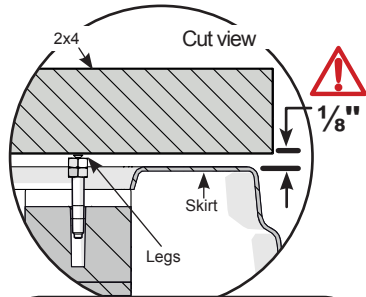


Do NOT remove the wood block supporting a leg like this (only applicable to certain models).



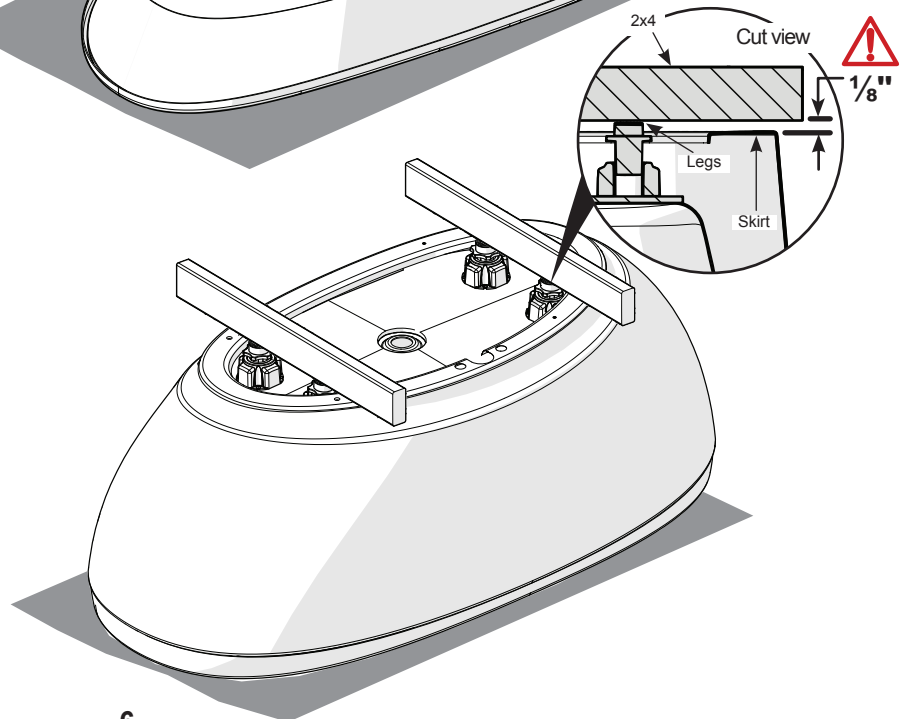
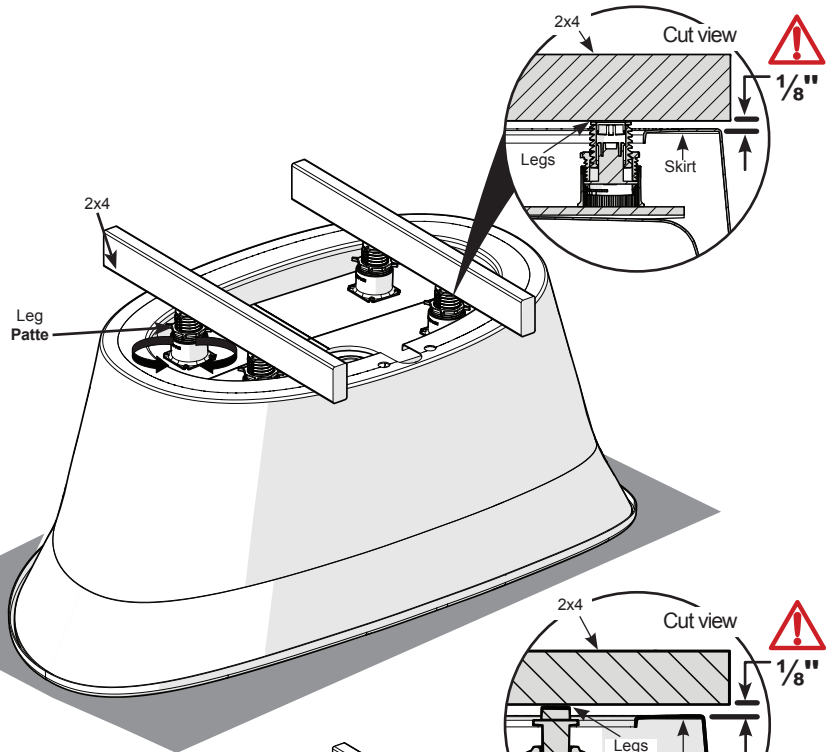
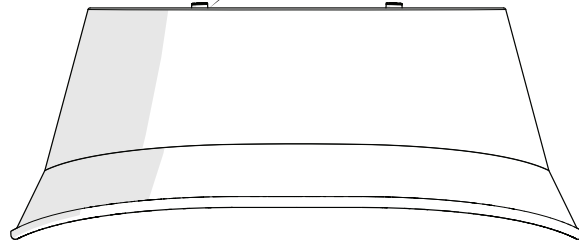
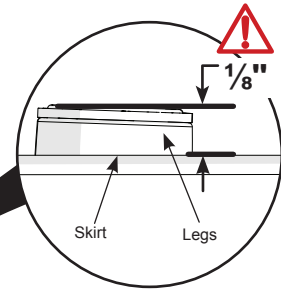
STEP 2 Leveling legs adjustment

Place back the skirt in the inverted bathtub. Adjust the legs so that they exceed the top of the edge of the skirt by 1/8". You can use a 2x4 to take the measure as shown.



Bolt leg installation only applicable to certain models.

2.1
Check me!



STEP 3 Bathtub skirt and drain positioning

With the help of the bathtub apron or the optional template, mark the center of the drainage line in relation with the desired position of the bathtub. **See also the rough-in information for your model on our website.**

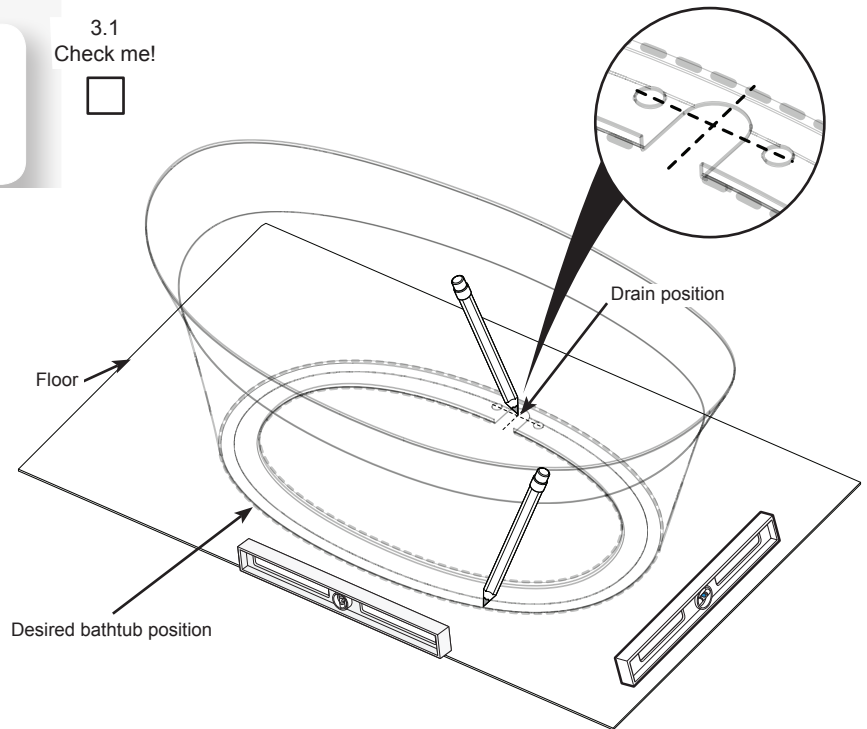
3.1
Check me!



Make sure the floor is level.

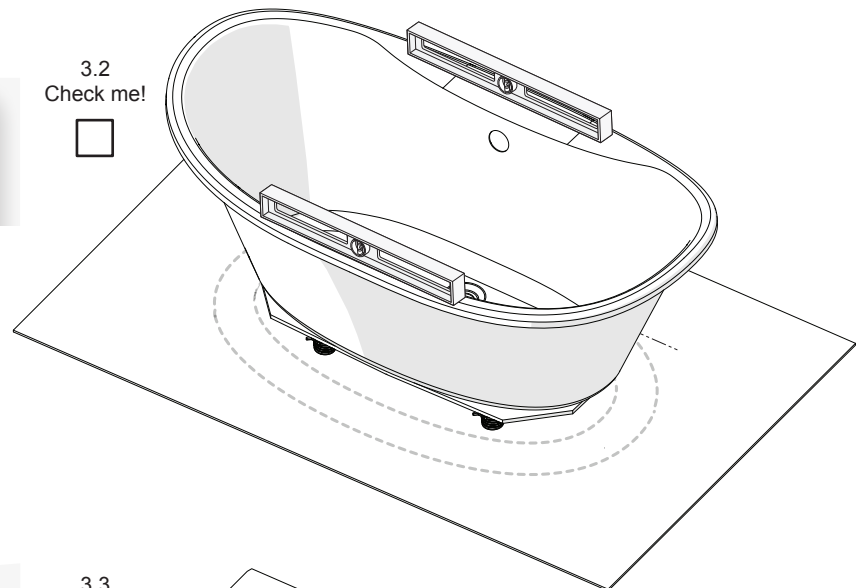


Before drilling a hole in the floor for the drainpipe, make sure there are no hidden elements underneath (pipes, floor joists, heating ducts, electrical wires).



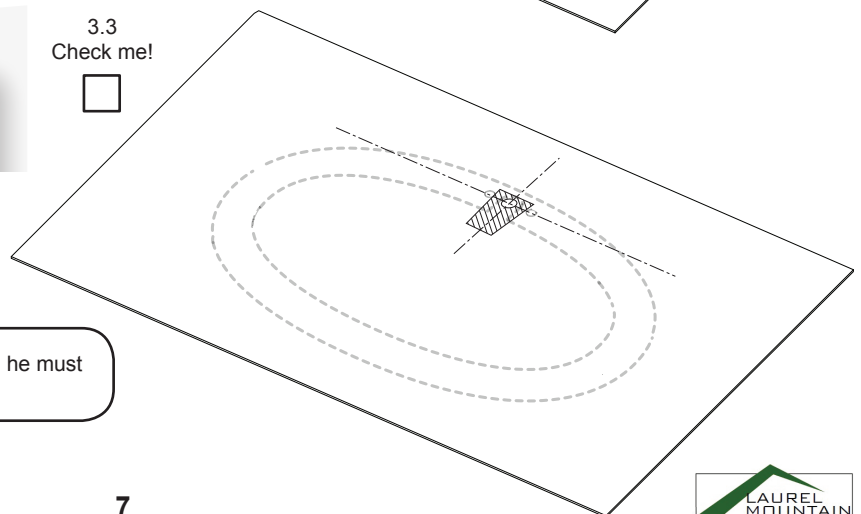
Place the bathtub in the previously marked position. Verify that the bathtub is completely leveled. Use the leveling legs if needed. Remove the bathtub.

3.2
Check me!



Drill the cutout on the floor for the drain and overflow in the previously marked position.

3.3
Check me!



If the user needs faucet on the same side than the overflow, he must validate that there is no interference between them.

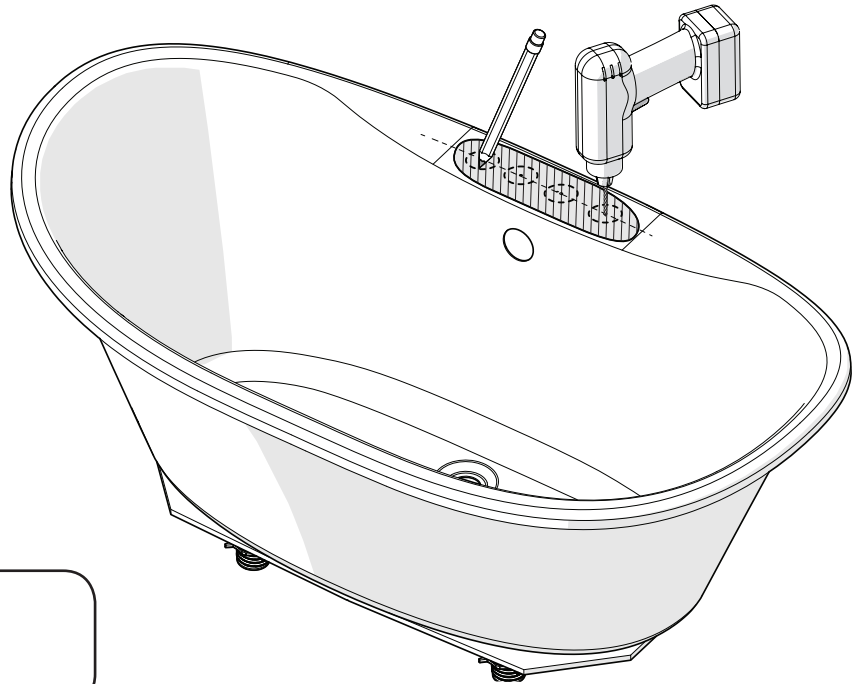
STEP 4 Installing faucets (NOT INCLUDED)

Faucet elements must be installed in the intended area. **See also the rough-in information for your model on our website.**

Before drilling, position the faucet base to make sure they line up with the predrilled holes.

Mark the location of the faucets on the unit and drill 3/16" (5 mm) pilot holes. Make sure the holes line up with the plumbing.

4.1
Check me!

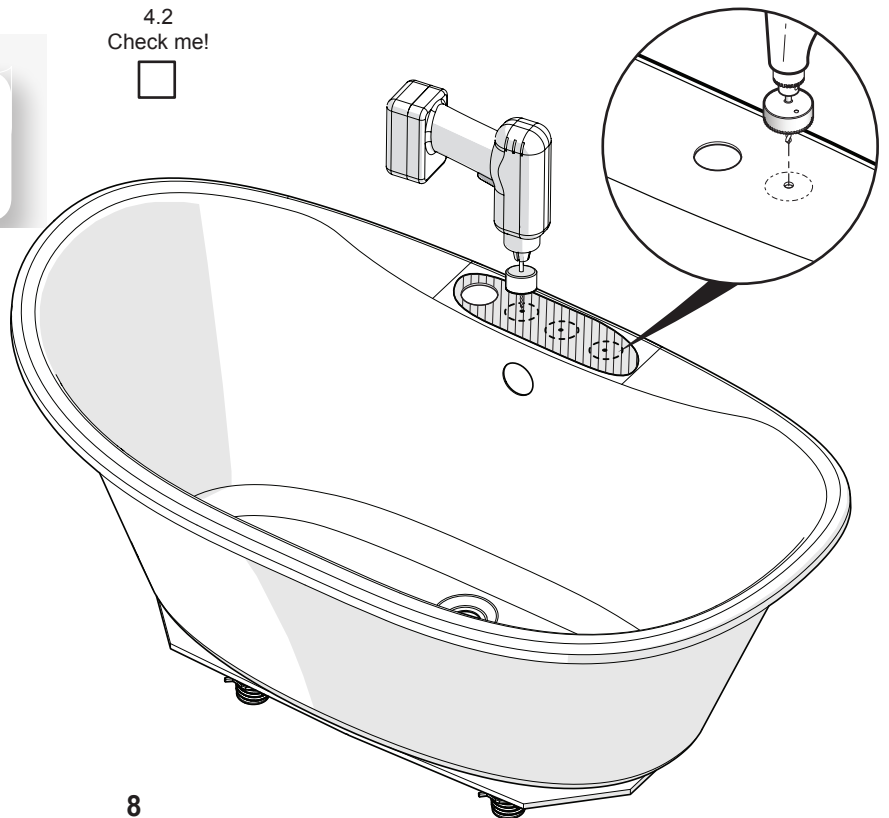


If the user needs the faucet on the same side as the overflow, validate that there is no interference between them.

4.2
Check me!



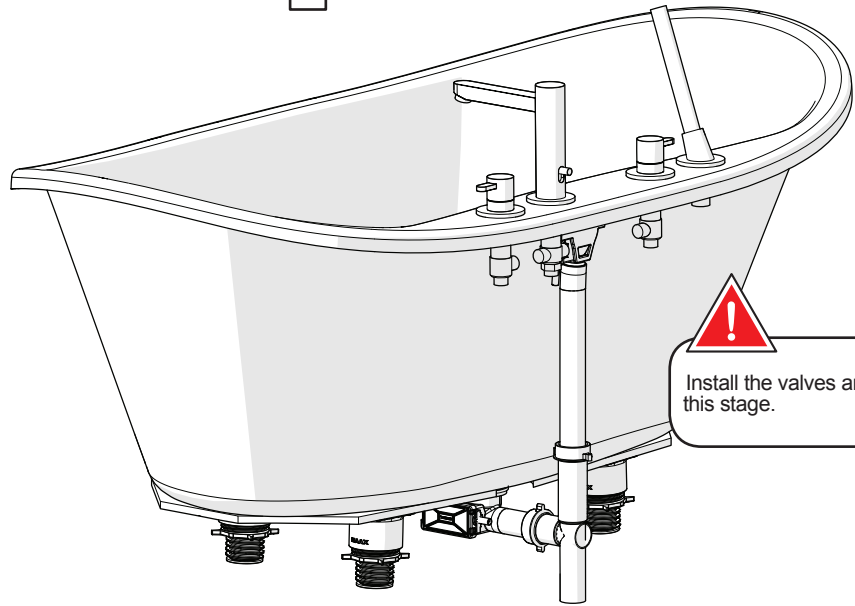
Drill directly on the finished side, following the faucet installation instructions.



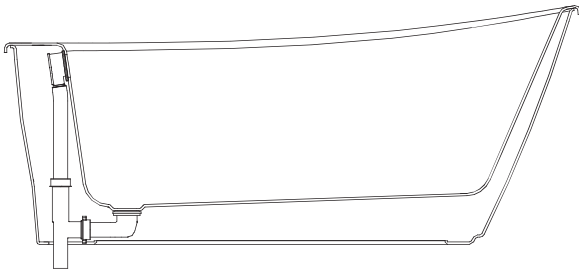
STEP 5 Bathtub preparation and installation

Install the waste, overflow, and faucet according to the manufacturer's instruction manuals.

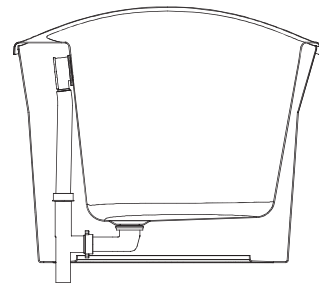
5.1
Check me!



Install the valves and faucets at this stage.



Standard drainpipe and overflow compatible with end-drain freestanding bathtub.



Standard drainpipe and overflow compatible with center drain freestanding bathtub

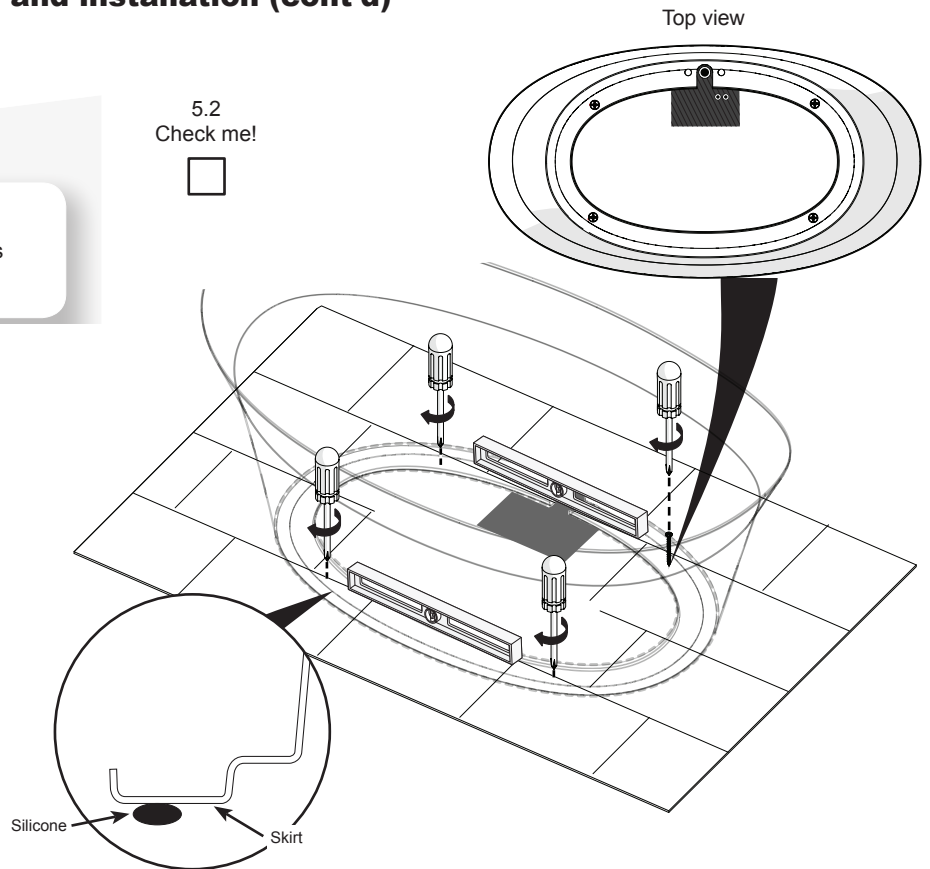
STEP 5 Bathtub preparation and installation (cont'd)

Apply a silicone seal under the apron (optional).
According to bathroom flooring, use proper screws
(not included) to secure the skirt to the floor.



Make sure the skirt is level.

5.2
Check me!



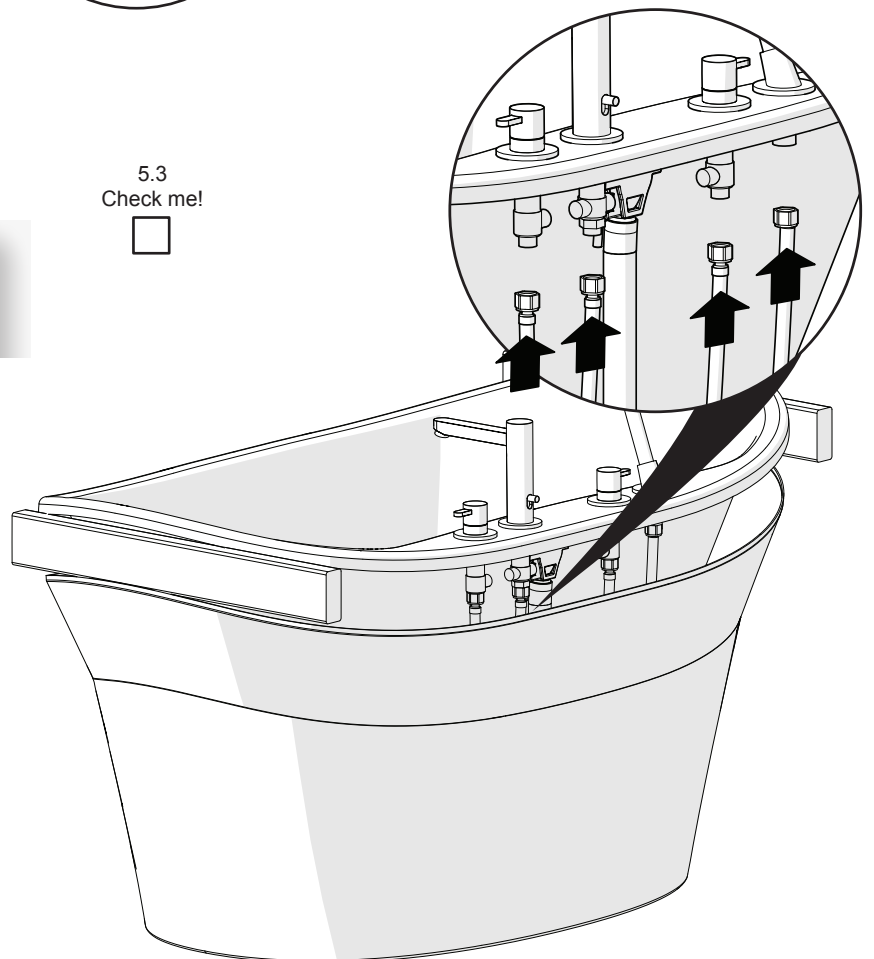
5.3
Check me!



Add two spacers (example 2x4) on the skirt ends and
position the bathtub inside the skirt. Attach the hot and
cold water riser to the plumbing hoses.



Faucet must be connected to 1/2" flexible
hoses of sufficient length to allow the bathtub
to be lifted if needed (25" or 635mm).

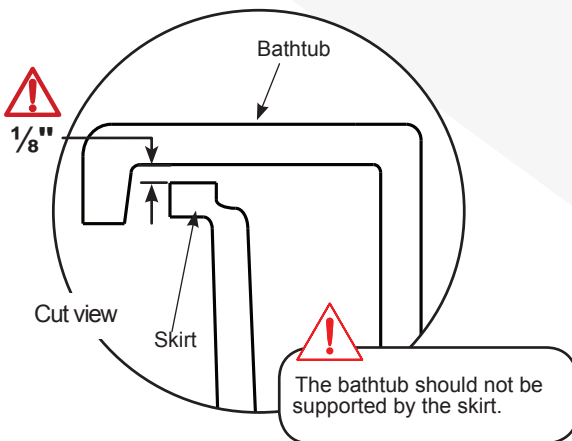
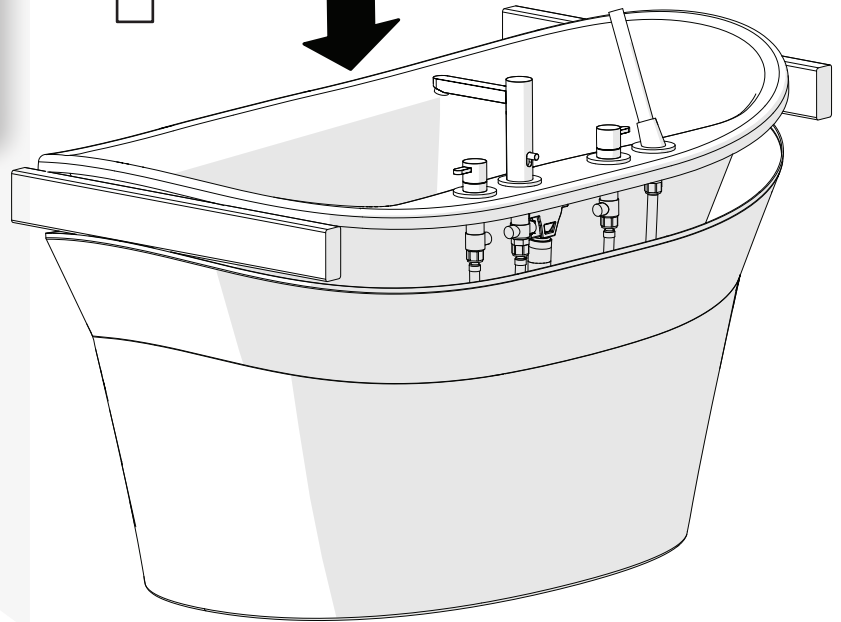


STEP 5 Bathtub preparation and installation (cont'd)

Remove the spacers. **Make sure all the legs are in contact with the ground, so that the bathtub is not supported by the skirt (see cut view below).**

The bathtub must be tested before installation is complete. Fill the bathtub to the overflow and inspect for leaks. Tighten and loose connections between the hoses and motor by hand.

5.4
Check me!

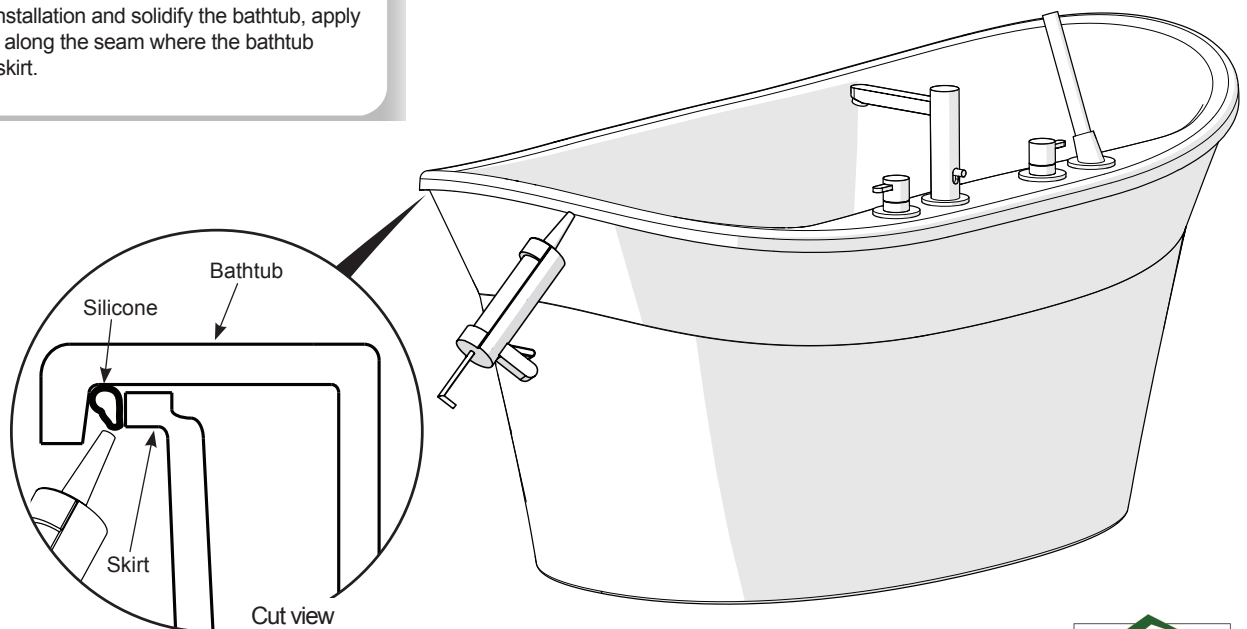


5.5
Check me!



For models Ovilla I and Ovilla II ONLY.

To complete the installation and solidify the bathtub, apply a bead of silicone along the seam where the bathtub rests against the skirt.



TOUBLESHOOTING

Water accumulates around the drain and the bathtub does not completely empty.

- Check that the installation is leveled and that the bathtub is well supported by the legs. With the help of level, place at the bottom of the bathtub, make sure to have a slight slope towards the drain. If necessary, adjust the legs under the bathtub.

Bottom of bathtub moves during use.

- Bathtub is not sitting firmly on its base; adjust leveling legs.

Polyethylene film will not come off.

- Use hair dryer to blow hot air on the surface.

MAINTENANCE

Regular disinfections provide an effective defense against various types of bacteria susceptible of developing in the deposits that build up over time in all bathtubs and showers.

For daily maintenance cleaning, use a moist cloth and gentle liquid detergent.

Do not use abrasive cleaners, scrapers, metal brushes, or any items or products that could scratch or dull the surface.

Paint stains: Use either turpentine or a paint thinner.

Joint compound: Use a plastic or wood spatula covered with a damp cloth. Do not use a metal blade or a metal brush.

If a rubber mat is used, it must be removed immediately after each use. Ignoring this recommendation will cause damage not covered by the warranty.

Certain types of therapeutic products when added to bath water, or if applied non-diluted directly in the bath, may damage the unit finish. **Test the product on a small inconspicuous surface prior to use.**

Laurel Mountain Warranty

This Laurel Mountain bath is warranted to the original purchaser to be free of defects in material and workmanship and the bathtub shell carries a lifetime limited warranty.

Proof of purchase is required. This warranty is issued to the original purchaser and shall be effective from the date of purchase as shown on the purchaser's receipt. Laurel Mountain will repair or replace (at their choice) any unit which proves to be defective in material or workmanship under normal use and service, having been properly installed. This warranty is the only express warranty made by Laurel Mountain and is limited to the duration of this warranty. Any labor charges and/or damage incurred in installation, repair or replacement as well as incidental and consequential damages connected therewith are excluded and will not be paid by Laurel Mountain. Some states do not allow the exclusion or limitation of incidental or consequential damages, so the above limitation or exclusion may not apply to you.

This warranty is void for any damage to the bath due to abuse, misuse, neglect, accident, improper installation, any use violating instructions furnished by us, or repair not authorized in writing by Laurel Mountain.

Laurel Mountain

www.laurelmountainwhirlpools.com

Customer service: 1-800-930-0050