

INSTALLATION AND SAFETY INSTRUCTIONS

GENERAL

You don't need special tools to install this fixture. Be sure to follow the steps in the order given. Under no circumstances should a fixture be hung on house electrical wires, nor should a swag type fixture be installed on a ceiling which contains a radiant type heating system. NOTE: Proper wiring is essential for the safe operation of this fixture. Read instructions carefully. **If you are unclear as to how to proceed, consult a qualified electrician.**

WARNING: BE SURE THE ELECTRICITY TO THE WIRES YOU ARE WORKING ON IS SHUT OFF. EITHER THE FUSE REMOVED OR THE CIRCUIT BREAKER OFF.

IN GROUND INSTALLATION

Carefully remove the fixture from the carton and check that all parts are included, as shown in Figure 1. Be careful not to misplace any of the screws or parts which are needed to install this fixture.

STEP 1:

Slip low voltage fixture wire through in ground stake (B), and pull fixture wires above ground.

STEP 2:

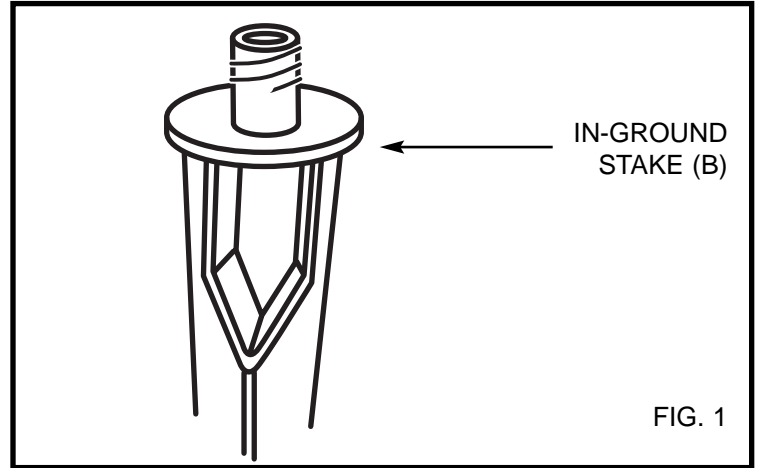
Thread fixture with 1/2" female threads to in-ground stake (B) (which has 1/2" male threads).

STEP 3:

Place stake (B) into the ground by using a spade and then back fill loosely.

STEP 4:

Tamp ground around stake. Make low-voltage wiring connections.



Installation And Safety Instruction

HC-561 **042701**

Line art shown may not exactly match the fixture enclosed. However, the installation instructions do apply to this fixture.

Fill In Item Number On Carton And
File This Sheet For Fixture Reference. ITEM# _____

INSTALLATION AND SAFETY INSTRUCTIONS

GENERAL

You don't need special tools to install this fixture. Be sure to follow the steps in the order given. Under no circumstances should a fixture be hung on house electrical wires, nor should a swag type fixture be installed on a ceiling which contains a radiant type heating system. NOTE: Proper wiring is essential for the safe operation of this fixture. Read instructions carefully. **If you are unclear as to how to proceed, consult a qualified electrician.**

WARNING: BE SURE THE ELECTRICITY TO THE WIRES YOU ARE WORKING ON IS SHUT OFF. EITHER THE FUSE REMOVED OR THE CIRCUIT BREAKER OFF.

IN GROUND INSTALLATION

Carefully remove the fixture from the carton and check that all parts are included, as shown in Figure 1. Be careful not to misplace any of the screws or parts which are needed to install this fixture.

STEP 1:

Slip low voltage fixture wire through in ground stake (B), and pull fixture wires above ground.

STEP 2:

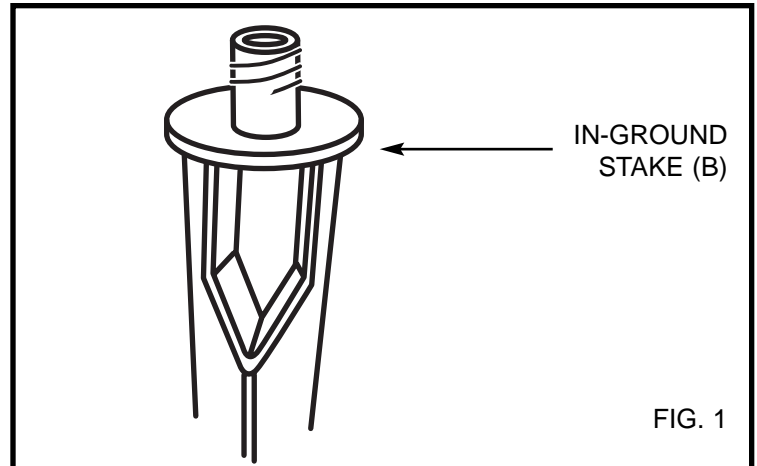
Thread fixture with 1/2" female threads to in-ground stake (B) (which has 1/2" male threads).

STEP 3:

Place stake (B) into the ground by using a spade and then back fill loosely.

STEP 4:

Tamp ground around stake. Make low-voltage wiring connections.



Installation And Safety Instruction

HC-561 **042701**

Line art shown may not exactly match the fixture enclosed. However, the installation instructions do apply to this fixture.

Fill In Item Number On Carton And
File This Sheet For Fixture Reference. ITEM# _____