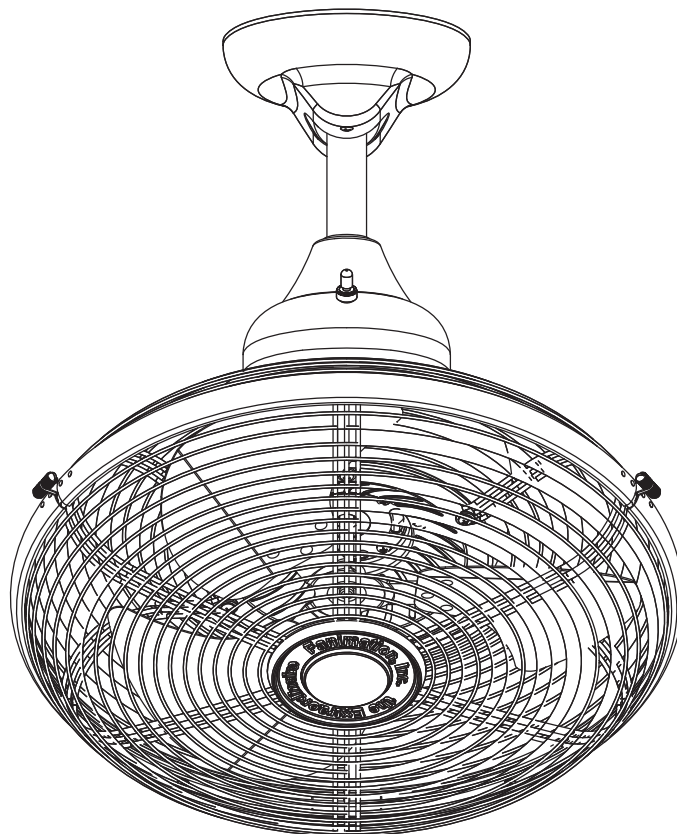


# The Extraordinaire™

## Orbital Ceiling Fan



**WARNING:** Support Directly From Building Structure

Net Weight 14.5 lbs. or 6.59 kg.

U.S. patent # 7,887,293

Model No. OF110\*\*

# OWNER'S MANUAL

READ AND SAVE THESE INSTRUCTIONS



## Important Safety Instructions

**WARNING:** To avoid fire, shock and serious personal injury, follow these instructions.

1. Read your owner's manual and safety information before installing your new fan. Review the accompanying assembly diagrams.
2. Before servicing or cleaning unit, switch power off at service panel and lock service panel disconnecting means to prevent power from being switched on accidentally. When the service disconnecting means cannot be locked, securely fasten a warning device, such as a tag, to the service panel.
3. Be careful of the fan and blades when cleaning, painting, or working near the fan. Always turn off the power to the ceiling fan before servicing.
4. Do not insert anything into the fan blades while the fan is operating.
5. Do not operate reversing switch until fan blades have come to a complete stop.

## Additional Safety Instructions

1. To avoid possible shock, be sure electricity is turned off at the fuse box before wiring, and do not operate fan without blades.
2. All wiring and installation procedures must satisfy National Electrical Codes (ANSI/ NFPA 70-1999). Use the National Electrical Code if Local Codes do not exist. The ceiling fan must be grounded as a precaution against possible electrical shock. Electrical installation should be made or approved by a licensed electrician.
3. The fan base must be securely mounted and capable of reliably supporting at least 35 lbs. Outlet boxes are not acceptable for fan support. See page 5 of owner's manual for support requirements. Consult a qualified electrician if in doubt.
4. **CAUTION:** To reduce the risk of personal injury, mount the fan base to a ceiling joist or structural member using the hardware provided with your fan.
5. **WARNING:** Support Directly from Building Structure.
5. The fan must be mounted with the fan blades at least 7 feet from the floor to prevent accidental contact with the fan blades.
6. Follow the recommended instructions for the proper method of wiring your ceiling fan. If you do not have adequate electrical knowledge or experience, have your fan installed by a licensed electrician.
7. Suitable for use with solid-state speed controls.
8. This fan is to be used in damp location.

**WARNING:** To reduce the risk of fire or electric shock, this fan should only be used with Fan Speed Control Part No. VR902F, manufactured by JOYKIM SCIENCE & TECH. CO., LTD.

**WARNING:** TO REDUCE THE RISK OF SHOCK, THIS FAN MUST BE INSTALLED WITH AN ISOLATING WALL CONTROL/SWITCH.

**WARNING:** This product is designed to use only those parts supplied with this product and/or accessories designated specifically for use with this product. Using parts and/or accessories not designated for use with this product could result in personal injury or property damage.

**WARNING:** To reduce the risk of personal injury, do not bend the blade bracket (flange or blade holder) when installing the brackets, balancing the blades, or cleaning the fan. Do not insert foreign objects in between rotating fan blades.

**WARNING:** All set screws must be checked and retightened where necessary before installation.

**WARNING:** (a) A lubricant should not be used on the single mounting screw; and (b) The pilot hole should be drilled no larger than the minor diameter of the mounting screw threads, and at least 38mm (1½ inches) of the threaded part of the mounting screw should be secured into a structural wood joist to provide secure mounting.

## LIMITED LIFETIME WARRANTY

Extends to the original purchaser of a Fanimation Fan

1. **LIMITED LIFETIME MOTOR WARRANTY** - If any part of your fan motor fails, due to a defect in materials or workmanship during the lifetime of the original purchaser, Fanimation will provide the replacement part free of charge, when the defective fan is returned to our national service center. Proof of purchase is required. Customer shall be responsible for all costs incurred in the removal or reinstallation and shipping of the product for repairs or replacement.
2. **ONE YEAR MOTOR LABOR WARRANTY** - If your fan motor fails at any time within one year from the original purchase, due to defects in materials or workmanship, labor to repair the motor will be provided free of charge at our national service center. Purchaser will be responsible for labor charges after this one-year period. Customer shall be responsible for all costs incurred in the removal or reinstallation and shipping of the product for repairs or replacement.
3. If any other part of your fan fails at any time within one year after original purchase, due to a defect in materials or workmanship, we will repair, or replace, at our option, the defective part free of charge for parts and labor performed at our national service center.
4. Because of varying climate conditions, this warranty does not cover changes in the finish, including rusting, pitting, corroding, tarnishing, or peeling.
5. This warranty is void and does not apply to damage from improper installation, neglect, accident, misuse, exposure to extremes of heat or humidity, or as a result of any modification to the original product.
6. All costs of removal and reinstallation of the fan are the sole responsibility of the owner of the fan and not the store that sold the fan or Fanimation.
7. Fanimation reserves the right to modify or discontinue any product at any time and may substitute any part under this warranty.
8. Under no circumstances may a fan be returned without prior authorization from Fanimation. The receipt of purchase must accompany authorized returns and must be sent freight prepaid to Fanimation. The fan to be returned must be properly packed to avoid damage in transit; Fanimation will not be responsible for any damage resulting from improper packaging.
9. It is understood that any repair or replacement is the exclusive remedy available from Fanimation. There is no other expressed or implied warranty. Fanimation hereby disclaims any and all implied warranties, including, but not limited to those of merchantability and fitness for a particular purpose to the extent permitted by law. Some states do not allow limitations on implied warranties. Fanimation will not be liable for incidental, consequential, or special damages arising out of or in conjunction with product use or performance, except as may otherwise be accorded by law. This warranty gives you special legal rights and you may also have other rights that vary from state to state.
10. A certain amount of wobble is normal and should not be considered a problem or a defect.

## Table of Contents

Unpacking Instructions .....	3
Energy Efficient Use of Ceiling Fans .....	4
Electrical and Structural Requirements .....	4
How to Assemble Your Ceiling Fan .....	6
How to Hang Your Ceiling Fan .....	7
How to Wire Your Ceiling Fan – Rotary Switch .....	8
How to Wire Your Ceiling Fan .....	9
Installing the Canopy Housing .....	10
Operating Instructions – Rotary Switch .....	10
Operating Instructions – Reverse Switch .....	10
Operating Instructions – CW110WH Wall Control .....	11
Maintenance .....	11
Trouble Shooting .....	11
Parts List .....	12
Exploded-View Illustration .....	13

# This manual is designed to make it as easy as possible for you to assemble, install, operate, and maintain your ceiling fan

## Tools Needed for Assembly

- One Phillips head screwdriver
- One stepladder
- One ¼" blade screwdriver
- 7/16" Socket head wrench
- One wire stripper

## Materials

Wiring outlet box and box connectors must be of type required by local code. The minimum wire would be a 3-conductor (2-wire with ground) of the following size:

Installed Wire Length	Wire Size A.W.G.
Up to 50 ft.	14
50 - 100 ft.	12

**NOTE:** Place the parts from the loose parts bags in a small container to keep them from being lost. If any parts are missing, contact your local retailer.

### ⚠ WARNING

Before assembling your ceiling fan, refer to section on proper method of wiring your fan (page 9). If you feel you do not have enough wiring knowledge or experience, have your fan installed by a licensed electrician.

## Unpacking Instructions

For your convenience, check-off each step. As each step is completed, place a check mark. This will ensure that all steps have been completed and will be helpful in finding your place should you be interrupted.

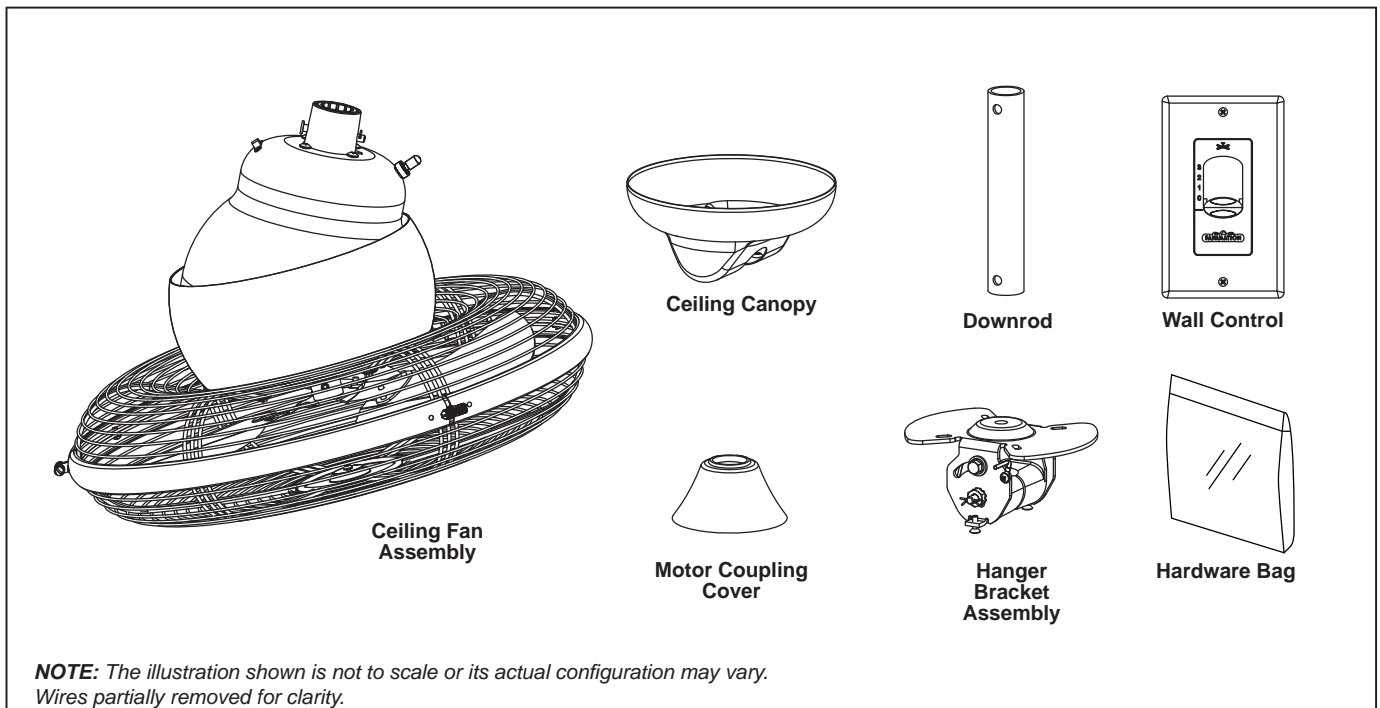
### ⚠ WARNING

Do not install or use fan if any part is damaged or missing. This product is designed to use only those parts supplied with this product and/or any accessories designated specifically for use with this product by Fanimation. Substitution of parts or accessories not designated for use with this product by Fanimation could result in personal injury or property damage. Contact your retail store for missing or damaged parts.

**NOTE:** If you are uncertain of part description, refer to exploded view illustration. (Figure 1, page 13)

Check to see that you have received the following parts:

- Ceiling Fan assembly
- Downrod
- Ceiling Canopy
- Hanger Bracket assembly
- Motor Coupling Cover
- Wall Control
- Hardware bag:
  - Four wire connectors
  - 7/16" wrench
  - 3/8" x 5" lag bolt with Flat Washer
  - Phillips screwdriver, 1½"
- Support Cable bag:
  - Ceiling Support Cable
  - Cable Clamp
  - 3/8" x 2" lag bolt
  - 3/8" flat washer



---

## Energy Efficient Use of Ceiling Fans

**Ceiling fan performance and energy savings rely heavily on the proper installation and use of the ceiling fan. Here are a few tips to ensure efficient product performance.**

### Choosing the Appropriate Mounting Location

Ceiling fans should be installed, or mounted, in the middle of the room and at least 7 feet above the floor and 18 inches from the walls. If ceiling height allows, install the fan 8 - 9 feet above the floor for optimal airflow. Consult your Fanimation Retailer for optional mounting accessories.

### Turn Off When Not in the Room

Ceiling fans cool people, not rooms. If the room is unoccupied, turn off the ceiling fan to save energy.

### Using the Ceiling Fan Year Round

**Summer Season:** Use the ceiling fan in the counter-clockwise direction. The airflow produced by the ceiling fan creates a wind-chill effect, making you "feel" cooler. Select a fan speed that provides a comfortable breeze, lower speeds consume less energy.

**Winter Season:** Reverse the motor and operate the ceiling fan at low speed in the clockwise direction. This produces a gentle updraft, which forces warm air near the ceiling down into the occupied space. Remember to adjust your thermostat when using your ceiling fan - additional energy and dollar savings could be realized with this simple step!

---

## Electrical and Structural Requirements

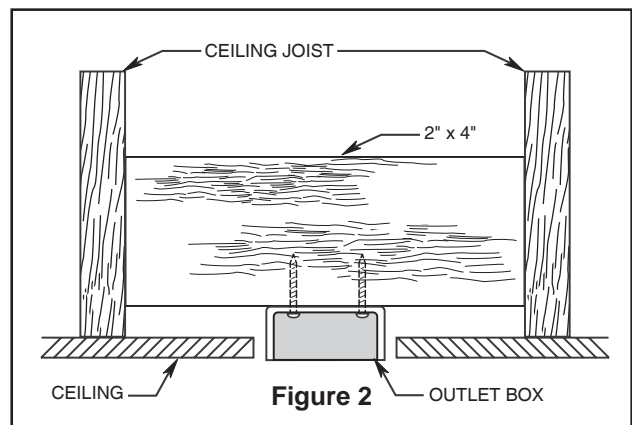
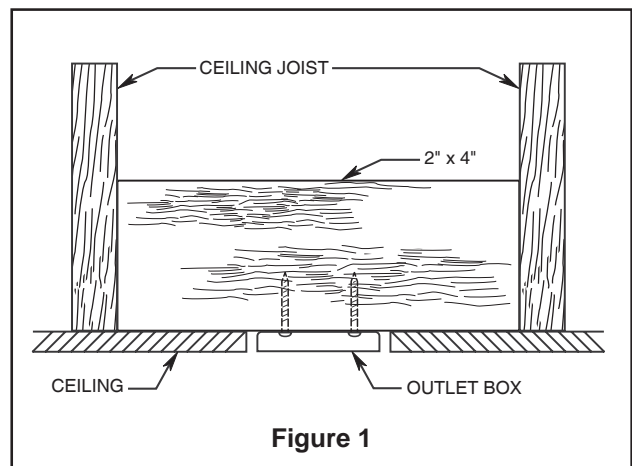
Your new ceiling fan will require a grounded electrical supply line of 120 volts AC, 60 HZ, 15 Amp Circuit. Electrical code requires use of a fan-rated outlet box to support the extra weight and motion associated with a ceiling fan. A fan-rated box will be labeled as such and typically supports up to a 70lb ceiling fan. Fan-Rated Outlet Boxes vary in ratings and design. Ensure the ratings of your ceiling fan outlet box meet the requirements for the ceiling fan being installed. Figure 1, Figure 2 and Figure 3 depicts different structural configurations that may be used for mounting the outlet box.

### Low profile box (Figure 1)

A 1/2-in.-deep pancake box is meant to be screwed to a joist or block. It's used if only one cable is coming into the box. It is also available in a saddle-mount configuration.

### Deep box (Figure 2)

A 2-1/4-in.-deep box can be attached to blocking between joists and is roomy enough to handle more than one cable.



## Electrical and Structural Requirements (Continued)

### Deep box with brace (Figure 3)

Paired with a deep box, this hanger is meant to span between two joists and takes the place of wooden blocking.

#### WARNING

To reduce the risk of fire, electric shock, or personal injury, mount to outlet box marked acceptable for fan support of 15.9 kg (35 lbs) or less and use mounting screws provided with the outlet box. Most outlet boxes commonly used for the support of luminaires are not acceptable for fan support and may need to be replaced, consult a qualified electrician if in doubt.

If your fan is to replace an existing light fixture, turn electricity off at the main fuse box at this time and remove the existing light fixture.

#### WARNING

Turning off wall switch is not sufficient. To avoid possible electrical shock, be sure electricity is turned off at the main fuse box before wiring. All wiring must be in accordance with National and Local codes and the ceiling fan must be properly grounded as a precaution against possible electrical shock.

#### WARNING

To avoid fire or shock, follow all wiring instructions carefully. Any electrical work not described in these instructions should be done or approved by a licensed electrician.

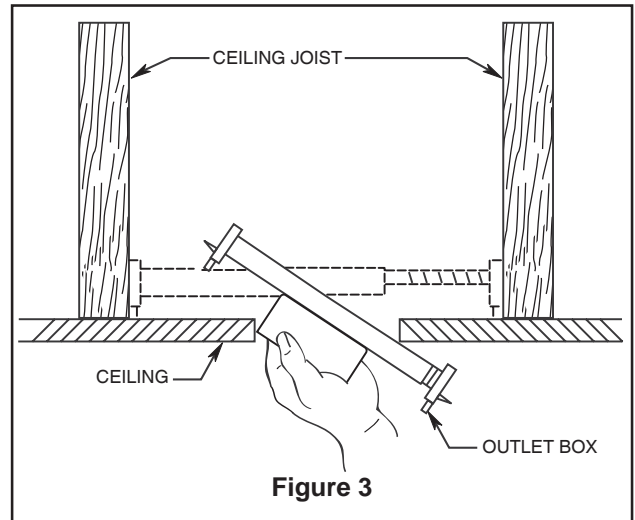


Figure 3

# How to Assemble Your Ceiling Fan

## CAUTION

To prevent damage to housing and/or blade, leave the Ceiling Fan Assembly in its original packing during installation of down rod, motor coupling cover and ceiling canopy.

**NOTE:** Do not set Ceiling Fan Assembly on floor or hard surface. Prior to assembly, set aside and save the hardware bag(s) packed in the packing.

1. Remove the hairpin clip and clevis pin from the bottom of the downrod support. Retain the pin and clip for reinstallation in Step 3. (Figure 1)

2. To prevent damage to housing and/or blade, leave the Ceiling Fan Assembly in its original packing during installation of down rod, motor coupling cover and ceiling canopy.

**NOTE:** Do not set Ceiling Fan Assembly on floor or hard surface.

3. Prior to assembly, set aside and save the hardware bag(s) packed in the packing.

**NOTE:** If using a downrod other than what is supplied with the fan, you must remove rubber sleeve from 6" downrod and put on new downrod.

4. The fan comes with black, white, green 80" wires and support cable. Separate and untwist the wires. Route the wires and support cable through the downrod with rubber sleeve.

5. Be sure to line up the holes while pushing the downrod with rubber sleeve into the downrod support prior to installing clevis pin and hairpin clip. (Figure 2 & Figure 3)

## ⚠ WARNING

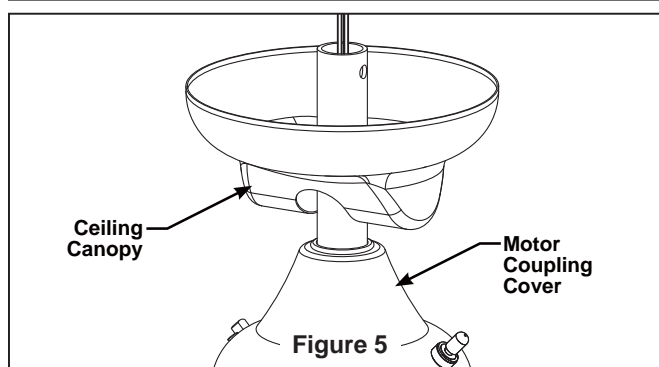
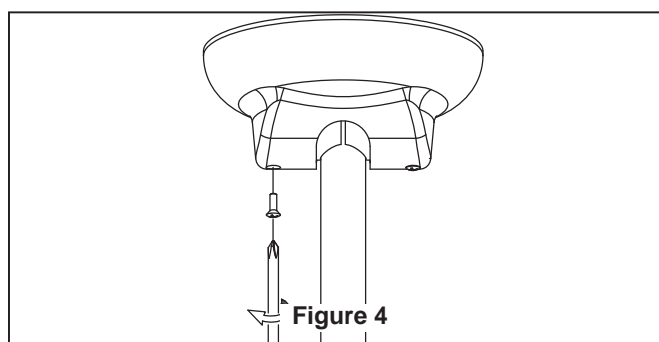
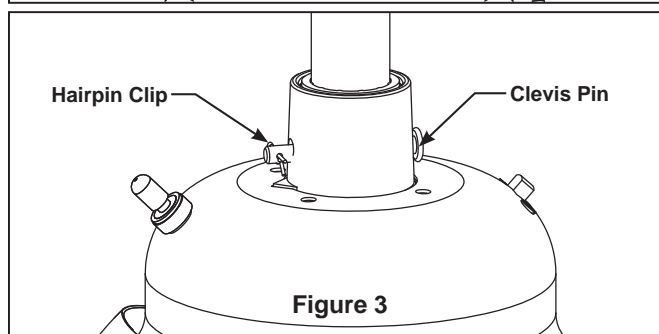
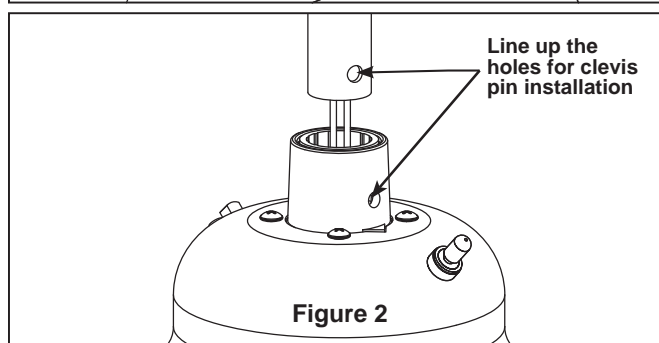
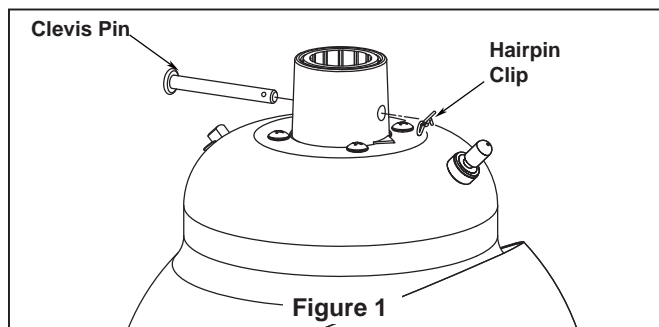
It is critical that the clevis pin in the downrod support is properly installed. Failure to verify that the pin and hairpin clip are properly installed could result in the fan falling.

6. Disassemble the hanger bracket and ceiling canopy. (Figure 4)

7. Slide the motor coupling cover down until it touches the top of the motor and assemble ceiling canopy as shown. (Figure 5)

8. Before installing fan, measure up approximately 6-9 inches above top of downrod. Cut off excess wire and strip back insulation ½" from each end of wire.

9. You have now completed the assembly of your new ceiling fan. You can now proceed with the hanging and the electrical wiring of your fan.



# How to Hang Your Ceiling Fan

## ⚠ WARNING

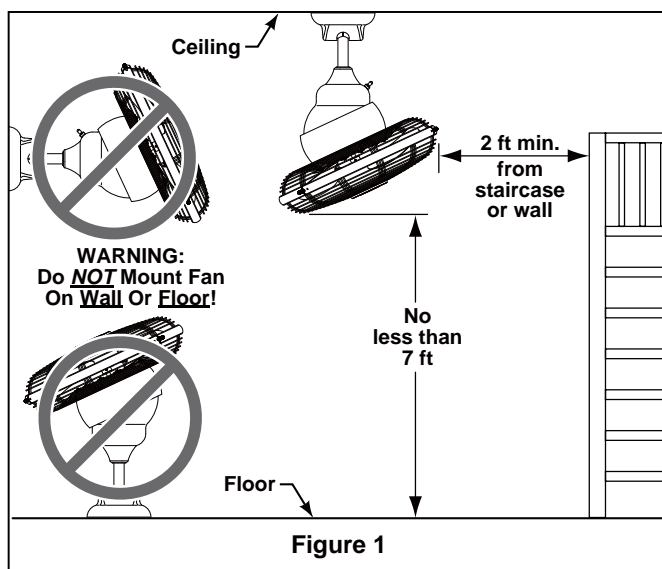
To avoid possible electrical shock, be sure electricity is turned off at the main fuse box before hanging.  
**NOTE: If you are not sure if the outlet box is grounded, contact a licensed electrician for advice, as it must be grounded for safe operation.**

## ⚠ WARNING

The fan must be hung with at least 7' of clearance from floor to blade and **MUST ONLY** be hung in a vertical downward position from ceiling. (Figure 1)

## CAUTION

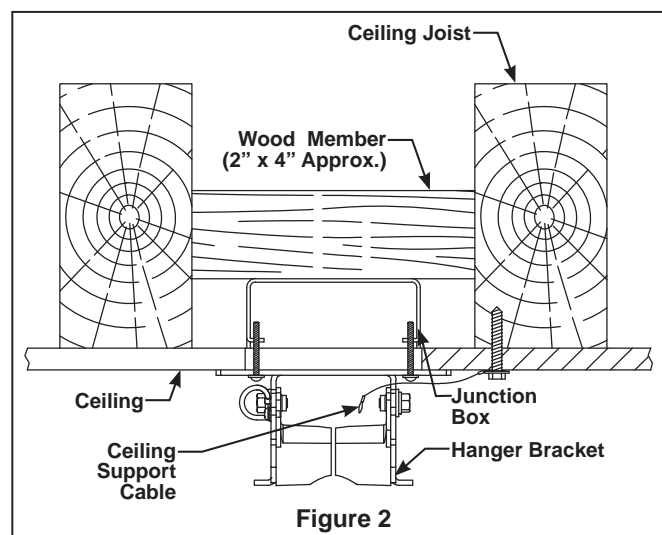
To Reduce the Risk of Personal Injury, this Product Must be Secured as Described in the Manual.



- 1. Attaching Ceiling Support Cable (Figure 2):** Drill  $\frac{1}{4}$ " pilot hole through into the ceiling joist or structural member. Securely attach the ceiling support cable with  $\frac{3}{8}$ " x 2" lag bolt and flat washer.

**NOTE:** Ceiling support cable must be directly secured to ceiling joist or structural member between flat washer and junction box with 2" lag bolt (Figure 2).

- 2. Hanger Bracket Attachment:** Securely attach the hanger bracket to the outlet box using the outlet box screws and washers supplied with the outlet box (Figure 2).
- 3. Assemble and secure the assembled fan with hex-head bolt, two lockwashers, nylon locknut and clevis pin.** (Figure 3)

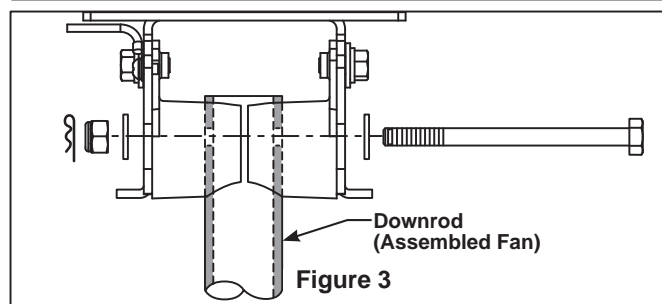


## ⚠ WARNING

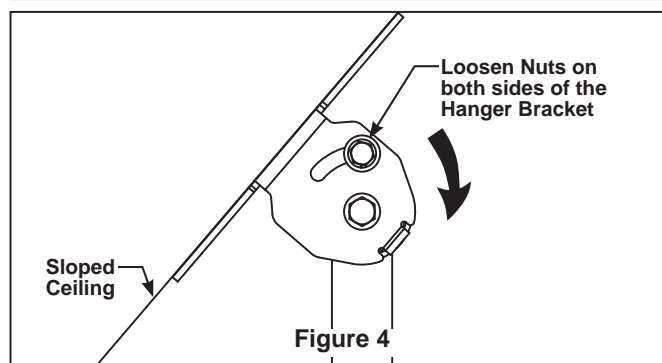
It is critical that the clevis pin and lock nut in the hanger bracket/downrod area is properly installed. Failure to verify that the nut and hairpin clip are properly installed could result in the fan falling.

## INSTALLATION NOTE

The hanger bracket angle adjustment **MUST ONLY** be used to orientate the downrod in a vertical downward position.



- 4. (Optional) Sloped Ceiling Installation (Figure 4):** Loosen two nuts located on both sides of the hanger bracket to orientate the downrod in the vertical position.
- 5.** Make sure the electrical supply wires, including the hanger bracket grounding wire and safety cable are pulled through the downrod, between the hanger bracket and the junction box so that electrical connections can be made later.

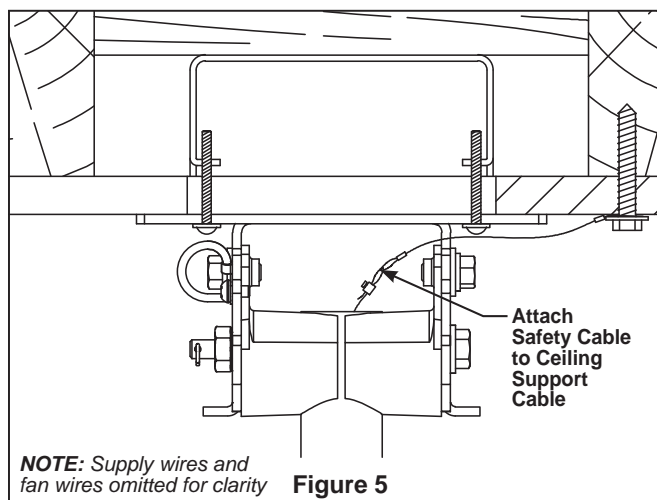


## How to Hang Your Ceiling Fan (continued)

6. Attach the safety cable to ceiling support cable. Slide cable clamp onto safety cable (from fan). Place the end of cable through the loop of ceiling support cable. Pull as much cable through loop as possible. Feed end of cable into clamp hole and firmly tighten screw (Figure 5). Cut off excess safety cable.

### **⚠ WARNING**

To avoid possible shock, do not pinch wires between the downrod and the hanger bracket.



## How to Wire Your Ceiling Fan - Rotary Switch

**If you feel that you do not have enough electrical wiring knowledge or experience, have your fan installed by a licensed electrician.**

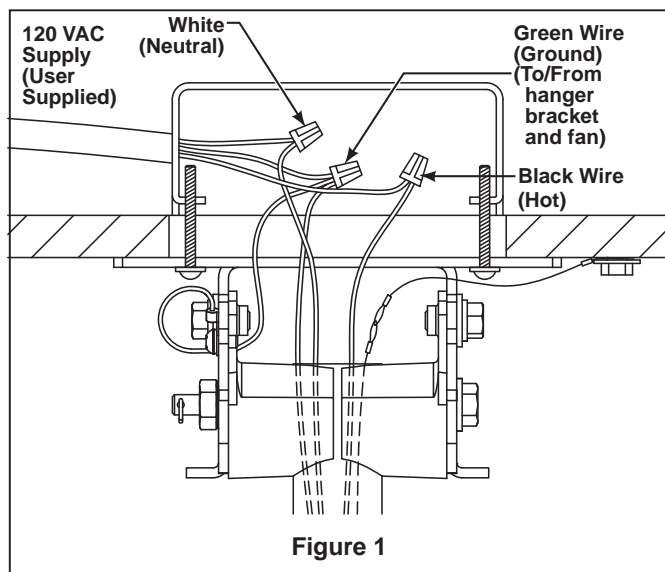
**NOTE:** If fan or supply wires are different colors than indicated, have this unit installed by a qualified electrician.

### **⚠ WARNING**

To avoid possible electrical shock, be sure electricity is turned off at the main fuse box before wiring.

**NOTE:** If you are not sure if the outlet box is grounded, contact a licensed electrician for advice, as it must be grounded for safe operation.

1. Run the black, white and green wires through the wiring hole in the side of the hanger bracket to allow for electrical connections.
2. Connect the green grounding wire from the fan and hanger bracket to the grounding wire from the outlet box (this may be a bare wire or a wire with green insulation). Securely connect these wires with wire connector supplied with your fan.
3. Securely connect the white wire from the fan motor to the white supply (neutral) wire using wire connector supplied (Figure 1).
4. Securely connect the black fan motor wire to the black supply wire using wire connector supplied (Figure 1).
5. After connections have been made, turn leads upward and carefully push leads into the outlet box, with the white and green leads to one side of the box and the black leads towards the other side.



6. The wires should be spread apart with the grounded conductor and the equipment-grounding conductor on one side of the outlet box and the ungrounded conductor on the other side of the outlet box.



# How to Wire Your Ceiling Fan

**If you feel that you do not have enough electrical wiring knowledge or experience, have your fan installed by a licensed electrician.**

## **⚠ WARNING**

To avoid possible electrical shock, be sure electricity is turned off at the main fuse box before wiring.

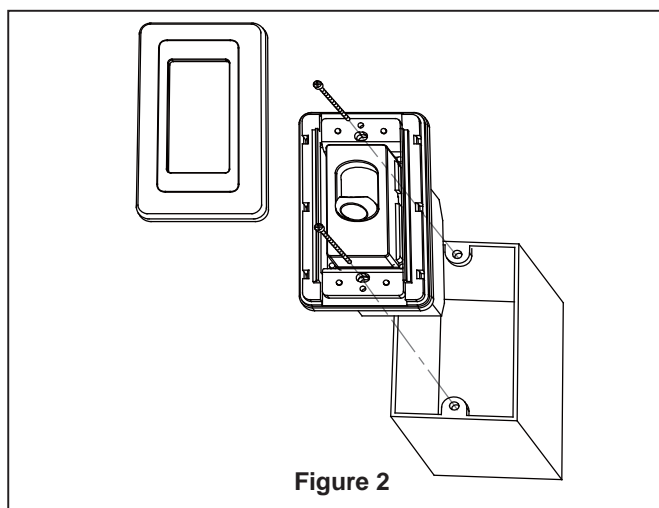
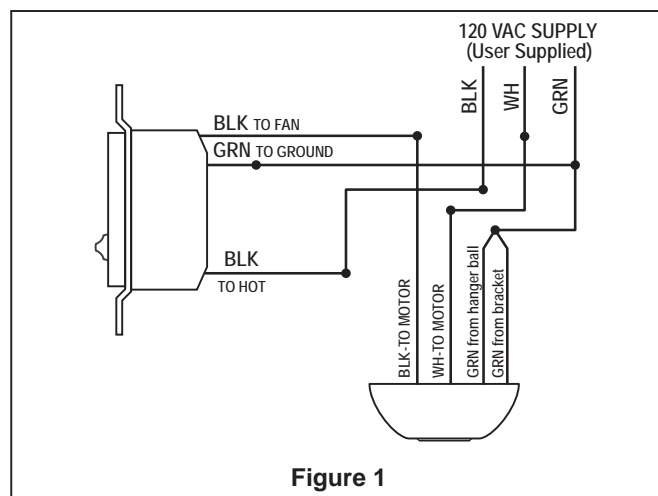
**NOTE: If you are not sure if the outlet box is grounded, contact a licensed electrician for advice, as it must be grounded for safe operation.**

### 1. Installing Wall Control (Figures 1 & 2):

- With electrical power still disconnected, remove the existing wall plate and switch.
- Make wiring connections with wire nuts as shown in Figure 1.
  - One black wire from wall control unit to black (hot supply).
  - One black wire from wall control unit to black wire leading to ceiling outlet box.
  - One green wire from wall control unit to ground wire leading to ceiling outlet box.
- Attach wall control unit to outlet box using the two 6-32 screws provided.
- Attach wall plate to the switch control.

## **⚠ WARNING**

Check to see that all connections are tight, including ground, and that no bare wire is visible at the wire connectors, except for the ground wire. Do not operate fan until the blades are in place. Noise and fan damage could result.



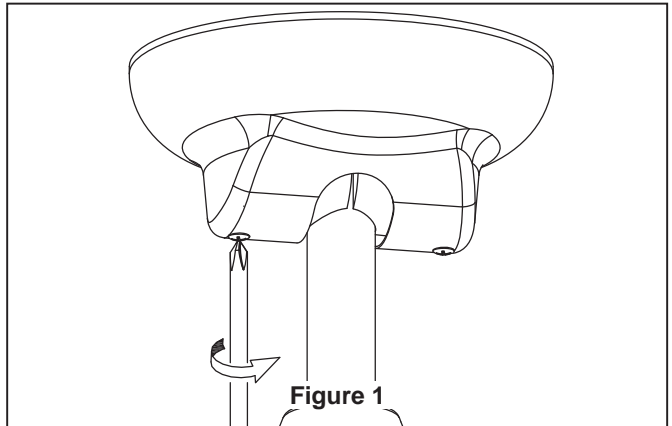
## Installing the Canopy Housing

**NOTE:** This step is applicable after the necessary wiring is completed.

### **⚠ WARNING**

To avoid possible fire or shock, make sure that the electrical wires are completely inside the canopy housing and not pinched between the housing and the ceiling.

1. Securely attach the Canopy Housing to the Hanger Bracket using the two screws supplied with your fan (Figure 1)

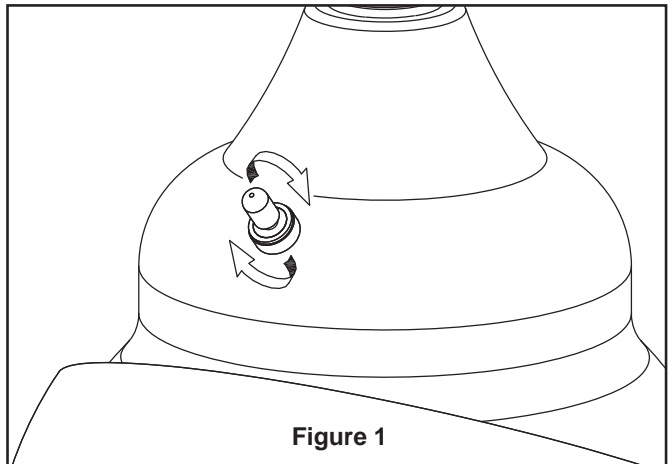


## Operating Instructions - Rotary Switch

### **⚠ WARNING**

Check to see that all connections are tight, including ground, and that no bare wire is visible at the wire connectors, except for the ground wire. Do not operate fan until the blades is in place. Noise and fan damage could result.

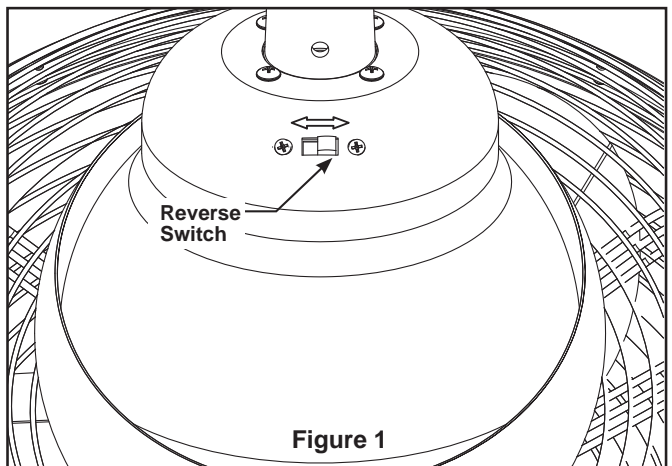
1. Select the desired airflow located on the fan motor assembly by rotating clockwise. (Figure 1)
  - 1st position – high fan speed
  - 2nd position – medium fan speed
  - 3rd position – low fan speed
  - 4th position – fan off



## Operating Instructions - Reverse Switch

1. If airflow is desired in the opposite direction, turn the fan off and wait for the blades to stop turning. Slide the reverse switch on top of motor assembly to the opposite position and turn fan on again. (Figure 1)

Reverse Switch Information		
Season	Rotation Direction	Switch Position
Summer	Clockwise	Right
Winter	Counter-Clockwise	Left



## Operating Instructions - CW110WH Wall Control

1. Restore electrical power to the outlet box by turning the electricity on at the main fuse box.

2. **NOTE:** Set the rotary switch to High speed before using the wall control.

The operating sequence is as follows:

- 3 Slide Switch – low fan speed
- 2 Slide Switch – medium fan speed
- 1 Slide Switch – high fan speed
- 0 Slide Switch – fan off

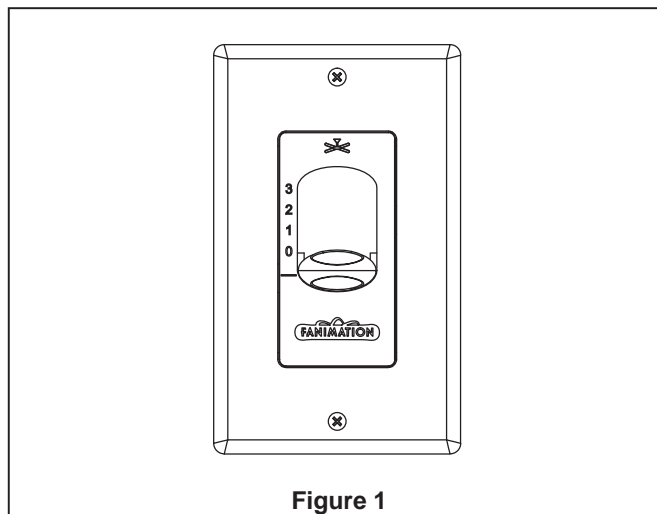


Figure 1

## Maintenance

Periodic cleaning of your new ceiling fan is the only maintenance that is needed. When cleaning, use only a soft brush or lint free cloth to avoid scratching the finish. Abrasive and/or non-abrasive cleaning agents are not required and should be avoided to prevent damage to finish.

### CAUTION

**Do not use water when cleaning your ceiling fan. It could damage the motor or the finish and create the possibility of electrical shock.**

## Trouble Shooting

### ⚠ WARNING

**For your own safety turn off power at fuse box or circuit breaker before trouble shooting your fan.**

Trouble	Probable Cause	Suggested Remedy
<b>1. FAN WILL NOT START</b>	<ol style="list-style-type: none"> <li>1. Fuse or circuit breaker blown.</li> <li>2. Loose power line connections to the fan, or loose switch wire connections in the switch housing.</li> <li>3. Reversing switch in neutral position.</li> </ol>	<ol style="list-style-type: none"> <li>1. Check main and branch circuit fuses or circuit breakers.</li> <li>2. Check line wire connections to fan and switch wire connections in the switch housings.</li> </ol> <p><b>CAUTION: Make sure main power is turned off !</b></p> <ol style="list-style-type: none"> <li>3. Make sure reversing switch position is all the way to one side.</li> </ol>
<b>2. FAN SOUNDS NOISY</b>	<ol style="list-style-type: none"> <li>1. Motor noise caused by solid state variable speed control.</li> </ol>	<ol style="list-style-type: none"> <li>1. Some fan motors are sensitive to signals from solid-state variable speed controls. Solid-state controls are not recommended, choose an alternative control method.</li> </ol>
<b>3. FAN WOBBLER EXCESSIVELY</b>	<ol style="list-style-type: none"> <li>1. Clevis nut in hanger bracket/downrod is loose.</li> </ol>	<ol style="list-style-type: none"> <li>1. Tighten clevis nut securely in hanger bracket/downrod support.</li> </ol>

# Parts List

## Model #OF110\*\*

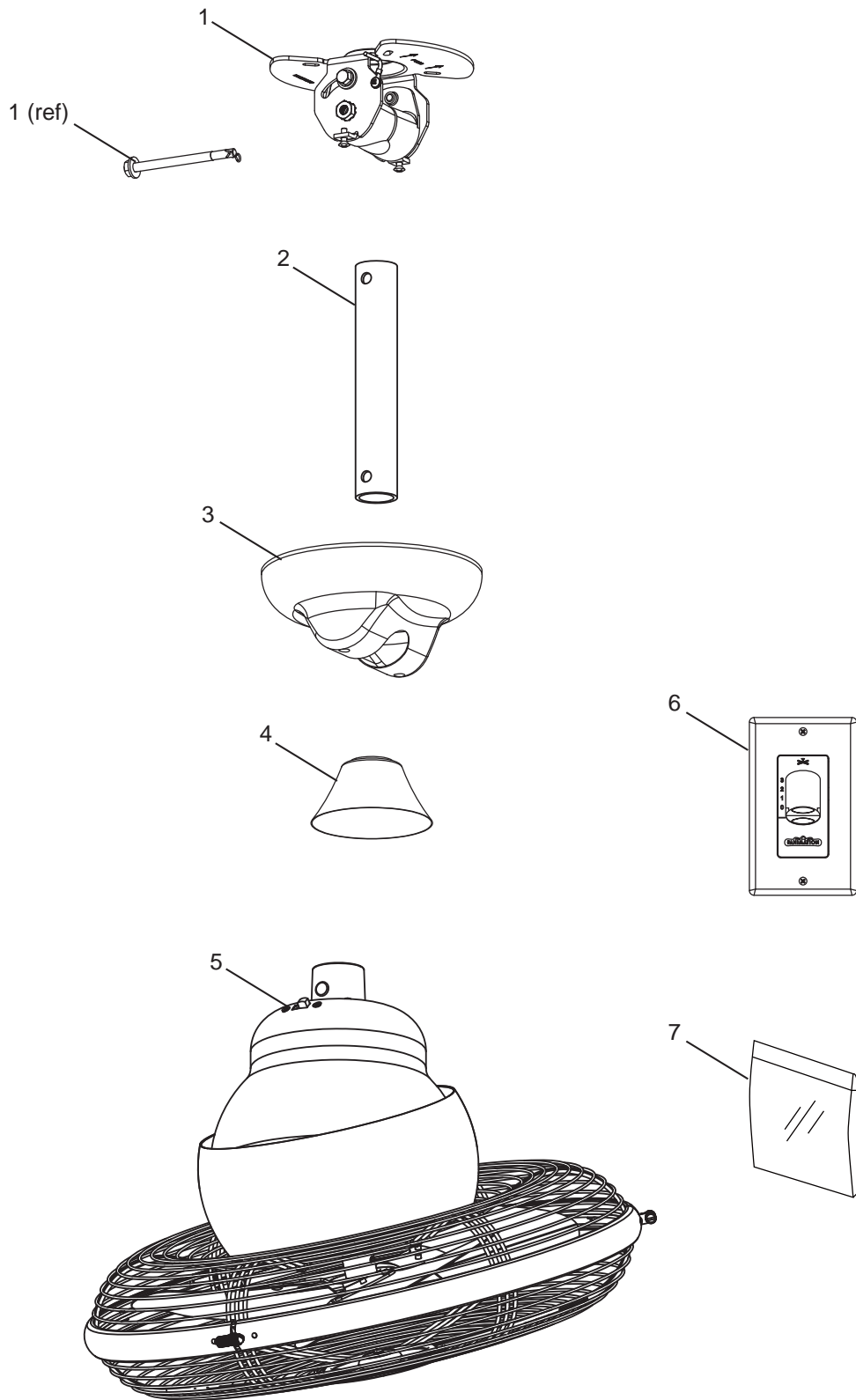
Ref.#	Description	Part #
1	Hanger Bracket with mounting hardware	AP1160BL
2	Downrod	DR1-6**
3	Ceiling Canopy	P1163**
4	Motor Coupling Cover	AP1115**
5	Fan Motor Assembly	AMA110**
6	Wall Control	CW110WH
7	<i>Hardware Bag Containing:</i>	HDWOF110**
	7/16" Wrench (2)	
	3/8" x 5" Lag Bolt with Flat Washer	
	1 1/2" Phillips Screwdriver	
	Wire Connectors (4)	
	<i>Support Cable Bag Containing:</i>	
	Ceiling Support Cable with Cable Clamp	
	3/8" x 2" Lag Bolt	
Flat Washer		

*\*\*Insert FINISH CODES (Refer to fan model number located on downrod support)*

Before discarding packaging materials, be certain all parts have been removed

How To Order Parts
<p>When ordering repair parts, always give the following information:</p> <ul style="list-style-type: none"> <li>• Part Number</li> <li>• Part Description</li> <li>• Fan Model Number</li> </ul> <p>Contact your retail store for repair parts.</p>

# The Extraordinaire™ Exploded-View



**NOTE:** The illustration shown is not to scale or its actual configuration may vary.  
Wires partially removed for clarity.

**Figure 1**



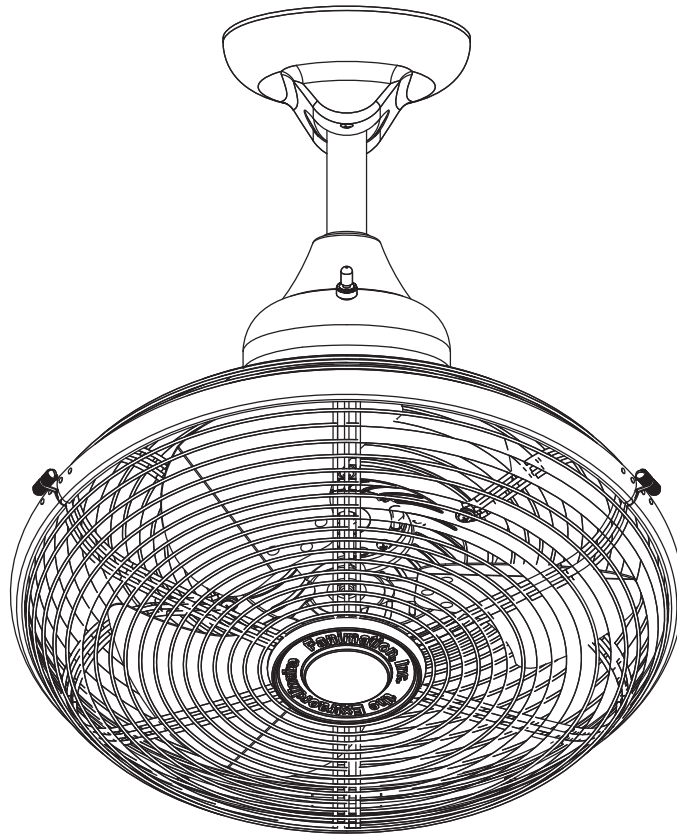
10983 Bennett Parkway  
Zionsville, IN 46077  
Toll Free (888) 567-2055  
FAX (866) 482-5215

Outside U.S. call (317) 733-4113

Visit Our Website @ [www.fanimation.com](http://www.fanimation.com)

# **The Extraordinaire™**

## **Ventilador orbital de techo**



**ADVERTENCIA:** monte directamente en la estructura del edificio

Peso neto 6,59 kg (14,5 lb)

U.S. Patente # 7,887,293

Modelo N.º OF110\*\*

**MANUAL DEL PROPIETARIO**  
LEA Y GUARDE ESTAS INSTRUCCIONES

**FANIMATION®**  
— CEILING FANS —

# Instrucciones importantes de seguridad

ADVERTENCIA: siga estas instrucciones para prevenir incendios, descargas eléctricas y lesiones personales graves.

1. Lea el manual del propietario y la información de seguridad antes de instalar su nuevo ventilador. Observe los diagramas de ensamblaje adjuntos.
2. Antes de llevar a cabo el mantenimiento o la limpieza de la unidad, desconecte la electricidad en el panel de servicio y bloquee los medios de desconexión del mismo para evitar que se active accidentalmente. Si no se pueden bloquear los medios de desconexión del servicio, coloque un dispositivo de advertencia, como una etiqueta, en el panel de servicio.
3. Tenga cuidado con la estructura y las aspas del ventilador cuando limpie, pinte o trabaje cerca del mismo. Desconecte siempre la electricidad del ventilador de techo antes de llevar a cabo el mantenimiento.
4. No coloque ningún elemento en las aspas del ventilador cuando éste se encuentre en funcionamiento.

## Instrucciones de seguridad adicionales

1. Para evitar posibles descargas eléctricas, asegúrese de que la electricidad esté desconectada de la caja de fusibles antes de realizar la instalación eléctrica, y no haga funcionar el ventilador sin las aspas.
2. Todos los procedimientos de conexión eléctrica e instalación deben cumplir con los Códigos Eléctricos Nacionales (ANSI/NFPA 70-1999). Utilice el Código Eléctrico Nacional si no existen Códigos Locales. El ventilador de techo debe estar conectado a tierra a fin de prevenir posibles descargas eléctricas. La instalación eléctrica debe ser llevada a cabo o aprobada por un electricista autorizado.
3. Se debe fijar bien la base del ventilador; ésta debe ser capaz de soportar sin problemas al menos 15,9 kg (35 lb). No se pueden utilizar cajas de distribución eléctrica como soporte del ventilador. Consulte la página 19 del manual del propietario para ver los requisitos de soporte. Consulte a un electricista calificado si tiene dudas.
4. **PRECAUCIÓN:** a fin de reducir el riesgo de lesiones personales, monte la base del ventilador en una viga de techo o miembro estructural con las herramientas suministradas con el ventilador.  
**ADVERTENCIA:** monte directamente en la estructura del edificio.
5. Las aspas del ventilador se deben instalar por lo menos a 2 m (7 pies) del suelo, a fin de evitar el contacto accidental con las mismas.
6. Siga las recomendaciones sobre el método correcto de instalación eléctrica de su ventilador de techo. Si no posee la experiencia o los conocimientos eléctricos adecuados, contrate a un electricista autorizado para instalar el ventilador.
7. Apto para usar con controles de velocidad de estado sólido.
8. Este ventilador se va a utilizar en lugares mojados.  
**ADVERTENCIA:** a fin de reducir el riesgo de incendios o descargas eléctricas, este ventilador sólo debe utilizarse con la Pieza de Control de Velocidad para Ventiladores N.º VR902F, fabricada por JOYKIM SCIENCE & TECH. CO., LTD.  
**ADVERTENCIA:** PARA REDUCIR EL RIESGO DE DESCARGAS ELÉCTRICAS, ESTE VENTILADOR SE DEBE INSTALAR CON UN CONTROL/INTERRUPTOR DE PARED AISLADO.  
**ADVERTENCIA:** este producto está diseñado para ser utilizado sólo con las piezas suministradas o los accesorios indicados específicamente para el mismo. Si utiliza piezas o accesorios que no están indicados para su uso con este producto podría sufrir lesiones personales o dañar el ventilador.  
**ADVERTENCIA:** para reducir el riesgo de lesiones personales, no doble los soportes de aspas (borde o soporte de aspas) al instalar los soportes, balancear las aspas o limpiar el ventilador. No coloque objetos extraños entre las aspas del ventilador en funcionamiento.  
**ADVERTENCIA:** se deben revisar todos los tornillos y volver a ajustarlos según sea necesario antes de realizar la instalación.  
**ADVERTENCIA:** (a) No se debe utilizar lubricante en el tornillo de montaje; y b) el orificio guía no debe ser mayor que el diámetro más pequeño de la rosca del tornillo de montaje, y al menos 38 mm (1 ½ pulgadas) de la parte roscada del tornillo debe estar fijada en una viga de madera estructural, a fin de asegurar una instalación segura.

## GARANTÍA LIMITADA DE POR VIDA

Se extiende al comprador original de un Ventilador Fanimation.

1. **GARANTÍA LIMITADA DE POR VIDA DEL MOTOR:** si se produce una falla en alguna de las partes del motor de su ventilador debido a un defecto en los materiales o en la fabricación durante el tiempo de vida del comprador original, Fanimation proporcionará la pieza de repuesto sin cargo una vez que se devuelva el ventilador defectuoso a nuestro centro de servicios nacional. Se requiere comprobante de venta. El cliente se hará responsable de todos los gastos de remoción o reinstalación y envío del producto para reparaciones o sustitución.
2. **GARANTÍA DE MANO DE OBRA DEL MOTOR POR UN AÑO:** si el motor de su ventilador falla antes de cumplirse un año a partir del momento de su compra original debido a defectos en los materiales o en la fabricación, se efectuará la reparación del mismo sin cargo en nuestro centro de servicios nacional. El comprador se hará responsable de los gastos de mano de obra luego del período de un año. El cliente se hará responsable de todos los gastos de remoción o reinstalación y envío del producto para reparaciones o sustitución.
3. Si otra pieza del ventilador fallara dentro del período de un año a partir de la fecha de compra original debido a un defecto en los materiales o en la fabricación, repararemos o sustituiremos, según creamos conveniente, la pieza defectuosa sin cargo alguno en nuestro centro de servicios nacional.
4. Debido a las diversas condiciones climáticas, esta garantía no cubre cambios en el acabado, incluidos oxidación, corrosión, falta de brillo o peladuras.
4. Debido a las diversas condiciones climáticas, esta garantía no cubre cambios en el acabado, incluidos oxidación, corrosión, falta de brillo o peladuras.
5. Esta garantía es nula y no se aplica a daños por instalación incorrecta, negligencia, accidentes, uso indebido, exposición al calor o a la humedad en exceso, o como resultado de cualquier modificación realizada al producto original.
6. Todos los gastos de remoción y reinstalación del ventilador son responsabilidad exclusiva del propietario, y no de la tienda que vendió el ventilador o de Fanimation.
7. Fanimation se reserva el derecho de modificar o discontinuar un producto en cualquier momento, o sustituir cualquier pieza según lo establecido por esta garantía.
8. Bajo ninguna circunstancia se podrá devolver un ventilador sin previa autorización por parte de Fanimation. Las devoluciones autorizadas deberán ir acompañadas del recibo de venta y deberán enviarse a Fanimation, previo pago del flete. El ventilador que se devuelve deberá estar embalado en forma adecuada a fin de evitar daños durante su transporte. Fanimation no se hará responsable de los daños que resulten del mal empaquetamiento del producto.
9. Se entiende que las reparaciones y las sustituciones son el único recurso disponible de Fanimation. No existe ninguna garantía expresa o implícita. Por la presente, Fanimation niega todas las garantías implícitas, que incluyen, entre otras, la comerciabilidad y la aptitud para determinado fin hasta donde la ley lo permita. Algunos estados no permiten limitaciones sobre las garantías implícitas. Fanimation no se hará responsable por daños accidentales, resultantes o especiales derivados del uso o el rendimiento del producto o en conjunción con éste, excepto en los casos en los que la ley así lo disponga. Esta garantía le otorga derechos legales especiales y es posible que también goce de otros derechos que pueden variar según el estado.

## Índice

Instrucciones para el desempaque .....	17	Instalación de la cubierta del capuchón .....	24
Uso eficiente de la energía en ventiladores de techo .....	18	Instrucciones de funcionamiento: interruptor giratorio .....	24
Requisitos eléctricos y estructurales .....	18	Instrucciones de funcionamiento: Interruptor del Reversa .....	24
Cómo ensamblar el ventilador de techo .....	20	Instrucciones de funcionamiento: control de pared CW110WH .....	25
Cómo colgar el ventilador de techo .....	21	Mantenimiento .....	25
Cómo realizar la instalación eléctrica del ventilador de techo: interruptor giratorio .....	22	Solución de problemas .....	25
Cómo realizar la instalación eléctrica del ventilador de techo: .....	23	Lista de piezas .....	26
		Ilustración del despiece .....	27



# Este manual está diseñado para facilitar, en la medida de lo posible, el ensamblaje, la instalación, el funcionamiento y el mantenimiento de su ventilador de techo

## Herramientas necesarias para el ensamblaje

- Destornillador Phillips
- Escalera de tijera
- Destornillador de 1/4"
- Pelacables
- Cuatro conectores de cables (incluidos)

## Materiales

La caja de distribución eléctrica y los conectores de la caja deben ser del tipo requerido por el código local. El cable más pequeño debe ser un cable de tres conductores (de dos conductores con conexión a tierra) del siguiente tamaño:

longitud del cable instalado	tamaño del cable según el A.W.G. (Calibre de Alambre Estadounidense)
hasta 15,2 m (50 pies)	14
de 15,2 a 30,5 m (50 a 100 pies)	12

**NOTA:** coloque las piezas de las bolsas de piezas individuales en un contenedor pequeño para evitar que se extravíen. Si faltan piezas, póngase en contacto con su proveedor local.

### ⚠ ADVERTENCIA

Antes de ensamblar el ventilador de techo, consulte la sección sobre el método correcto de instalación eléctrica del ventilador (página 23). Si siente que no posee la experiencia o los conocimientos eléctricos necesarios, contrate a un electricista autorizado para instalar el ventilador.

## Instrucciones para el Desempaque

Para su comodidad, marque cada uno de los pasos. A medida que completa cada paso, coloque una marca de verificación. Con esto se asegurará de completar todos los pasos y podrá saber desde dónde retomar si fuera interrumpido.

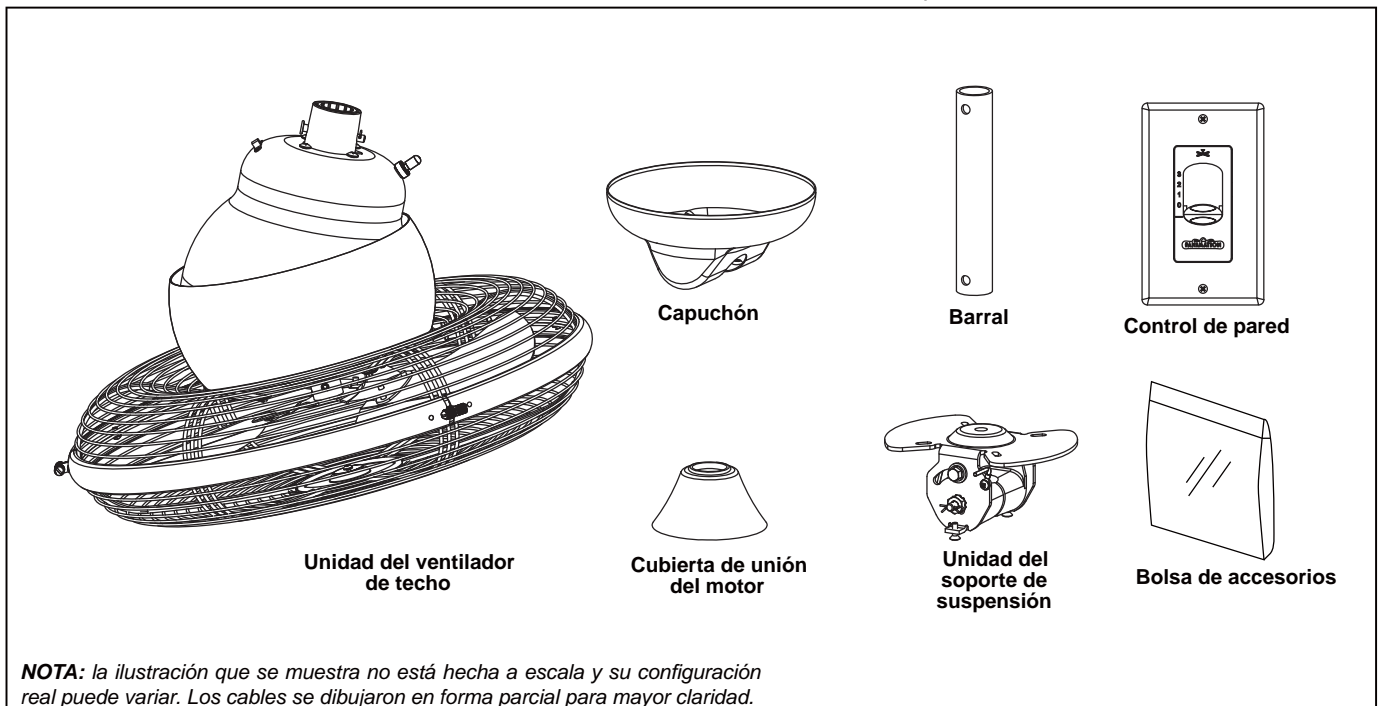
### ⚠ ADVERTENCIA

No instale ni utilice el ventilador si falta alguna pieza o si hay piezas dañadas. Este producto está diseñado para ser utilizado sólo con las piezas suministradas o los accesorios indicados por Fanimation específicamente para el mismo. La sustitución de piezas o accesorios que Fanimation no designó para usar con este producto podría ocasionar lesiones personales o daños en el ventilador. Póngase en contacto con su tienda si faltan piezas o hay piezas dañadas.

**NOTA:** si no está seguro de la descripción de una pieza, consulte la ilustración del despiece. (Figura 1, página 27)

Verifique que haya recibido las siguientes piezas:

- unidad del ventilador de techo
- Barral
- capuchón
- unidad del soporte de suspensión
- cubierta de unión del motor
- control de pared
- Bolsa de accesorios:
  - cuatro conectores de cables
  - llave de 7/16"
  - tornillo de cabeza cuadrada de 3/8" x 5" con arandela plana
  - destornillador Phillips de 1/2"
- Bolsa con cable de soporte:
  - cable de soporte para techo
  - abrazadera de cables
  - tornillo de cabeza cuadrada de 3/8" x 2"
  - arandela plana de 3/8"



## Uso eficiente de la energía en ventiladores de techo

El nivel de rendimiento y ahorro de energía de los ventiladores de techo dependen de su correcta instalación y uso. A continuación le presentamos algunas sugerencias para asegurar un rendimiento eficiente del producto.

### Selección del lugar de montaje adecuado

Los ventiladores de techo se deben instalar en el centro de la habitación, a 2,13 m (7 pies) de altura del piso como mínimo y 0,5 m (18 pulgadas) de las paredes. Si la altura del techo lo permite, instale el ventilador a 2,5 m (8-9 pies) por encima del suelo para un flujo de aire óptimo. Consulte en su tienda minorista de Fanimation para obtener accesorios de montaje opcionales.

### Apague el ventilador cuando no se encuentre en la habitación

Los ventiladores son para refrescar a la gente, no a las habitaciones. Si la habitación está vacía, apague el ventilador de techo para ahorrar energía.

### Uso del ventilador de techo todo el año

**En verano:** Use el ventilador de techo en sentido contrario a las agujas del reloj. El flujo de aire que produce el ventilador creará un efecto frío del aire que lo refrescará más. Seleccione una velocidad que le proporcione una brisa confortable. Las velocidades más bajas consumen menos energía.

**En invierno:** Invierta el motor y haga funcionar el ventilador de techo a velocidad baja y en el sentido de las agujas del reloj. Esto produce una suave corriente ascendente, que obliga al aire cálido que se acumula cerca del techo a bajar al espacio ocupado. No olvide ajustar el termostato cuando utilice el ventilador de techo. Con este sencillo paso puede ahorrar energía adicional y dinero.

## Requisitos eléctricos y estructurales

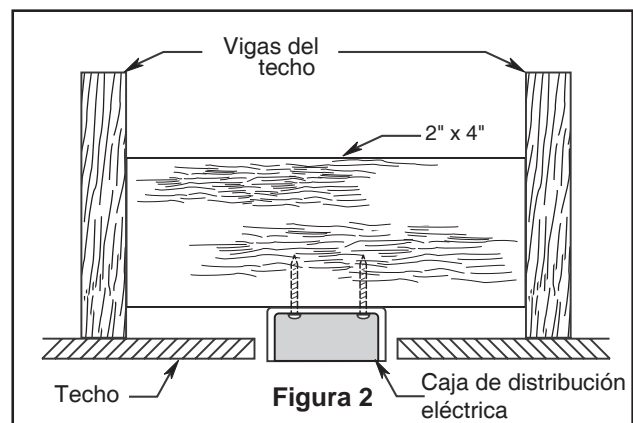
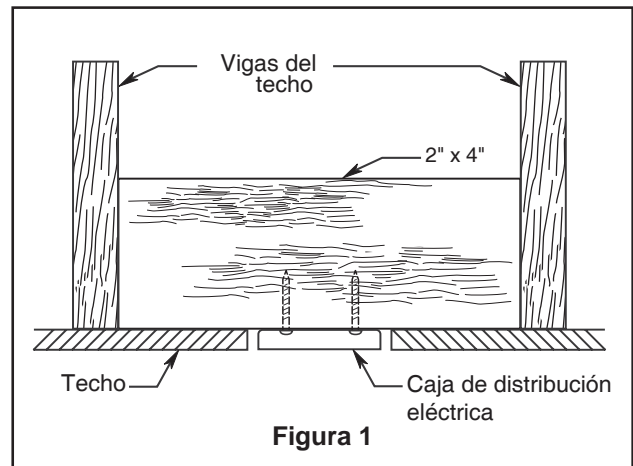
Su nuevo ventilador de techo requiere una línea de suministro eléctrico con conexión a tierra de 120 voltios de CA, 60 Hz, circuito de 15 amperios. La normativa eléctrica requiere el uso de una caja de distribución eléctrica para ventiladores que soporte el peso extra y el movimiento asociado a un ventilador de techo. La caja de distribución eléctrica será etiquetada como tal y soportará un ventilador de techo de un peso de hasta 70 libras. Dichas cajas varían en tipos y diseños. Asegúrese de que el tipo de su caja reúne los criterios para el ventilador que se está instalando. Las ilustraciones 1, 2 y 3 muestran las diferentes configuraciones estructurales que pueden ser utilizadas para dicha caja de distribución eléctrica.

### Caja de perfil bajo (Figura 1)

La caja lisa de 1/2 pulgada de profundidad será atornillada a una viga o bloque. Se utilizará si solo un cable va a ser introducido en la caja. También está disponible en una configuración de montaje endosado.

### Caja profunda (Figura 2)

La caja de 2-1/4 pulgada será atornillada a un bloque entre vigas que tenga suficiente espacio para colocar más de un cable.



## Requisitos eléctricos y estructurales (cont.)

### Profunda caja con aparato ortopédico (Figura 3)

Conectado a una caja de distribución eléctrica, este colgador sirve para abarcar el espacio entre dos vigas y ocupar el lugar de bloqueo de la madera.

#### ▲ ADVERTENCIA

Para reducir el riesgo de incendio, descargas eléctricas o lesiones personales, monte el ventilador en una caja de salida marcada como "Apta para sostener ventiladores de 15,88 kg o menos" y use los tornillos de montaje provistos con la caja de salida. La mayoría de las cajas de salida que se usan comúnmente para sostener ensambles de iluminación no son aptas para sostener un ventilador y puede ser necesario reemplazarlas. Si tiene dudas, consulte a un electricista calificado.

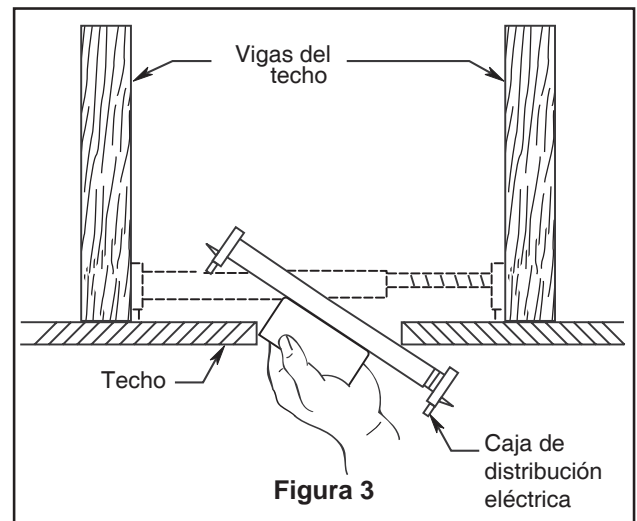
Si su ventilador va a sustituir una instalación de iluminación existente, desconecte la electricidad de la caja del fusible principal en esta ocasión y extraiga la unidad de iluminación.

#### ▲ ADVERTENCIA

Apagar el interruptor de pared no es suficiente. Para evitar posibles descargas eléctricas, asegúrese de que la electricidad esté desconectada en la caja de fusibles principal antes de realizar la instalación eléctrica. Toda instalación eléctrica debe cumplir con los códigos nacionales y locales y el ventilador de techo debe tener la conexión a tierra adecuada como forma de precaución ante posibles descargas eléctricas.

#### ▲ ADVERTENCIA

A fin de evitar incendios o descargas eléctricas, siga con cuidado todas las instrucciones de instalación eléctrica. Cualquier trabajo eléctrico que no se describa en estas instrucciones deberá ser realizado o aprobado por un electricista autorizado.



## Cómo ensamblar el ventilador de techo

### PRECAUCIÓN

Para prevenir daños en la cubierta o en las aspas, deje el ventilador de techo en su empaque original durante la instalación del barral, la cubierta de unión del motor y el capuchón.

**NOTA:** no apoye la unidad del ventilador de techo en el suelo o en otra superficie dura.

- 1. Retire el clip de horquilla y pasador de horquilla de la parte inferior de la bola para soporte de barral. Retener el pasador y clip para la reinstalación en el paso 3. (Figura 1)

- 2. Para prevenir daños en la cubierta o en las aspas, deje el ventilador de techo en su empaque original durante la instalación del barral, la cubierta de unión del motor y el capuchón.

**NOTA:** no apoye la unidad del ventilador de techo en el suelo o en otra superficie dura.

- 3. Antes de realizar el ensamblaje, separe y guarde las bolsas de accesorios en el empaque.

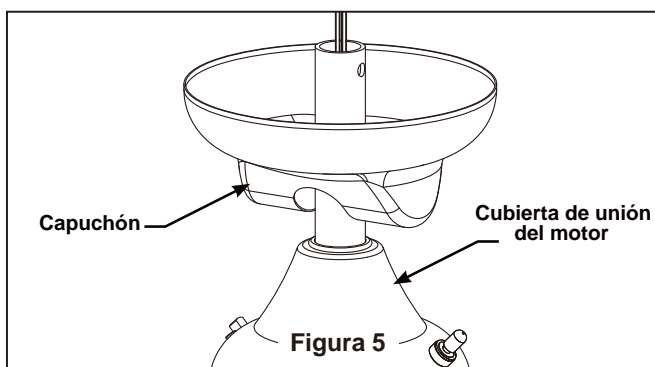
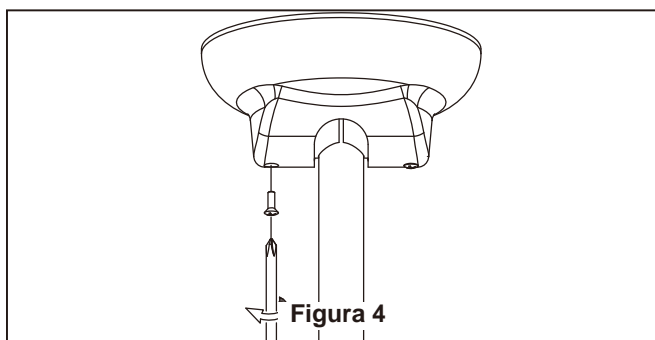
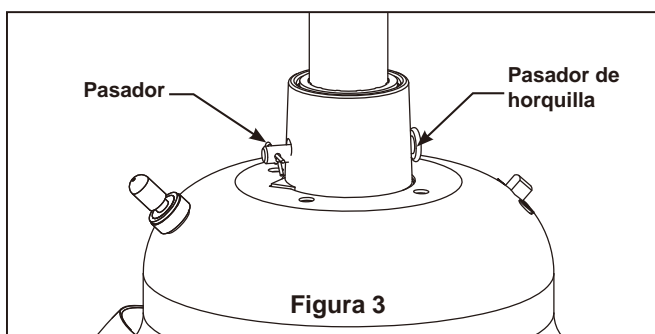
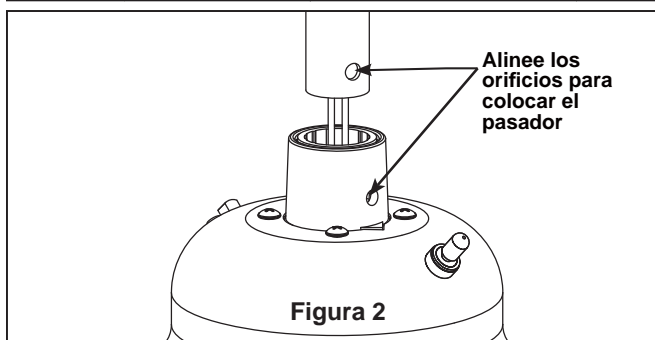
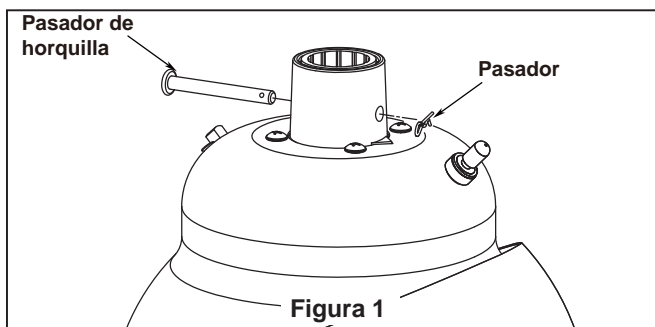
**NOTA:** si utilizará un barral distinto del que se suministra con el ventilador, deberá retirar la cubierta de goma del barral de 15 cm (6") y colocar el barral nuevo.

- 4. El ventilador viene con cables de 2 m (80") de color negro, blanco y verde, y cables de soporte. Separe y desenrosque los cables. Pase los cables y el cable de soporte a través del barral con la cubierta de goma.
- 5. Asegúrese de alinear los orificios cuando introduzca el barral con la cubierta de goma en el soporte de barral antes de colocar el pasador y el pasador de horquilla. (Figura 2 y Figura 3)

### ADVERTENCIA

Es fundamental que el pasador del soporte de barral esté instalado correctamente. Si el pasador y el pasador de horquilla no están correctamente colocados, el ventilador podría caerse.

- 6. Desmontaje del soporte de suspensión y capuchón. (Figura 4)
- 7. Deslice la cubierta de unión del motor hacia abajo hasta que toque la parte superior del motor y ensamble el capuchón como se muestra. (Figura 5)
- 8. Antes de instalar el ventilador, mida aproximadamente de 15 a 23 cm (6 a 9 pulgadas) por encima de la parte superior del barral. Corte el excedente de cable y pele 1,2 cm (½") del aislamiento en cada extremo del cable.
- 9. De esta manera completó el ensamblaje de su nuevo ventilador de techo. Ahora puede continuar con las instrucciones para colgar el ventilador y realizar la instalación eléctrica.



# Cómo colgar el ventilador de techo

## ⚠️ ADVERTENCIA

Para evitar posibles descargas eléctricas, asegúrese de que la electricidad esté desconectada de la caja de fusibles principal antes de colgar el ventilador.

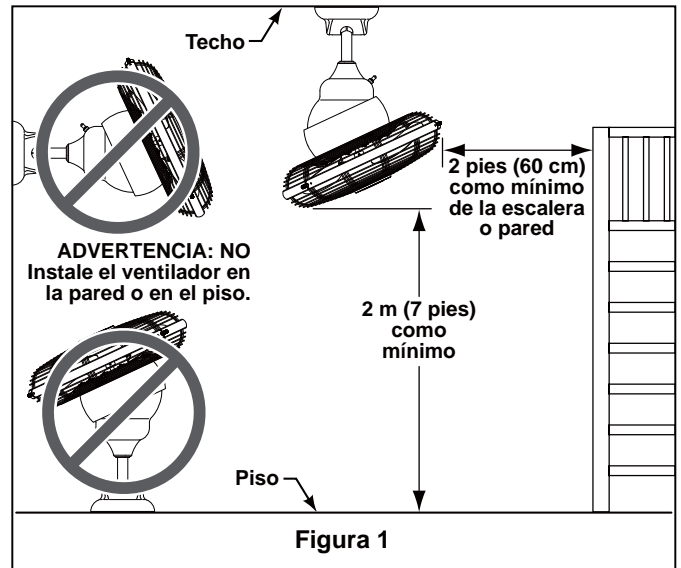
**NOTA:** si no está seguro si la caja de distribución eléctrica tiene conexión a tierra, pida asesoramiento a un electricista autorizado, ya que la conexión a tierra es importante para un funcionamiento seguro.

## ⚠️ ADVERTENCIA

Las aspas del ventilador deben estar suspendidas, al menos, a 2 m (7') del piso y el ventilador SÓLO DEBE colgarse del techo, en posición vertical hacia abajo. (Figura 1)

## PRECAUCIÓN

A fin de reducir el riesgo de lesiones personales, este producto se debe asegurar como se describe en el manual.



### 1. Fijación del Cable de Soporte para Techo (Figura 2):

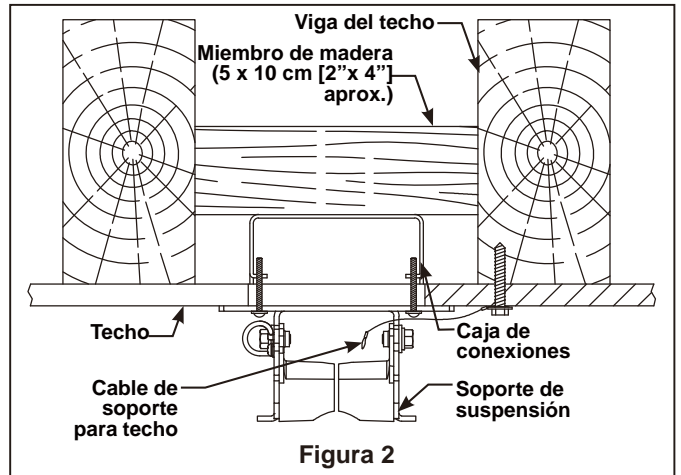
Taladre un orificio guía de 0,6 cm (¼") a través de la viga de techo o el miembro estructural. Fije firmemente el cable de soporte para techo con el tornillo de cabeza cuadrada de 3/8" x 2" y la arandela plana.

**NOTA:** el cable de soporte para techo se debe asegurar directamente a la viga de techo o miembro estructural, entre la arandela plana y la caja de conexiones, con un tornillo de cabeza cuadrada de 2" (Figura 2).

### 2. Sujeción del Soporte de Suspensión:

Fije bien la abrazadera para colgar a la caja de salida con los tornillos y las arandelas provistas con la ventilador de techo. (Figura 2)

### 3. Ensamble y asegure la unidad del ventilador con un perno de cabeza hexagonal, dos arandelas de seguridad, una tuerca de fijación de nylon y un pasador. (Figura 3)



## ⚠️ ADVERTENCIA

Es fundamental que el pasador y la tuerca de fijación del área del soporte de suspensión/barral estén instalados correctamente. Si la tuerca y el pasador de horquilla no están correctamente colocados, el ventilador podría caerse.

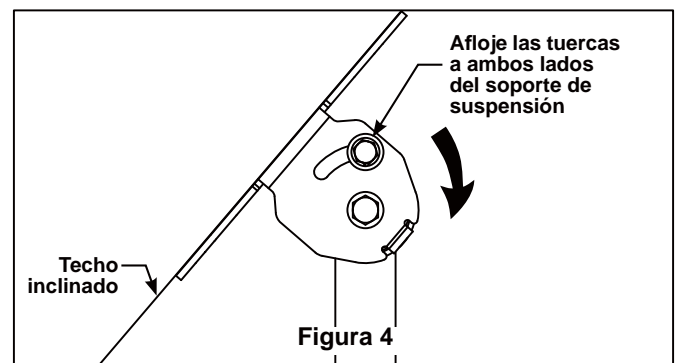
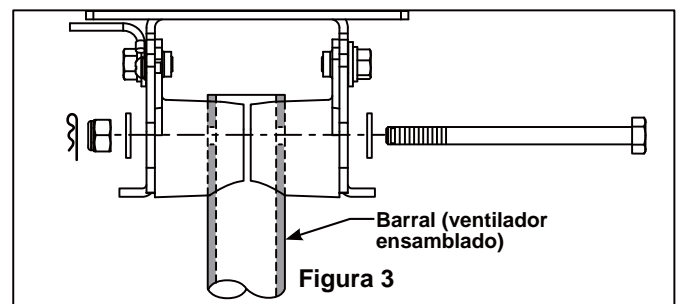
## NOTA DE INSTALACIÓN

El ajuste del ángulo del soporte de suspensión SÓLO DEBE utilizarse como guía para colocar el barral en una posición vertical hacia abajo.

### 4. (Opcional) Instalación en techo inclinado (Figura 4):

Aflove dos tuercas que se encuentran a ambos lados del soporte de suspensión para colocar el barral en posición vertical.

### 5. Asegúrese de que los cables de suministro eléctrico, incluido el cable de conexión a tierra del soporte de suspensión y el cable de seguridad, hayan atravesado el barral, entre el soporte de suspensión y la caja de conexiones, de modo que más tarde se pueda realizar la instalación eléctrica.

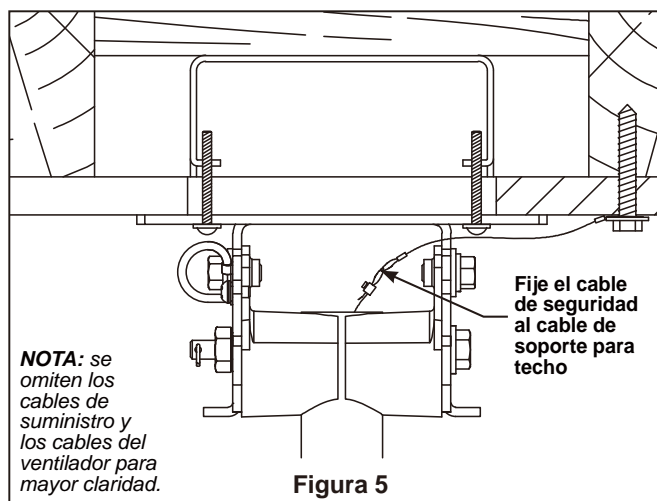


## Cómo colgar el ventilador de techo (cont.)

6. Fije el cable de seguridad al cable de soporte para techo. Deslice la abrazadera de cables por el cable de seguridad (del ventilador). Pase el extremo del cable a través del aro que forma el cable de soporte para techo. Tire lo más posible del cable a través del aro. Inserte el extremo del cable en el orificio de la abrazadera y ajuste firmemente el tornillo (Figura 5). Corte el exceso de cable de seguridad.

### **⚠ ADVERTENCIA**

Para evitar una posible descarga eléctrica, no aprisione los cables entre el barral y el soporte de suspensión.



## Cómo realizar la instalación eléctrica del ventilador de techo: interruptor giratorio

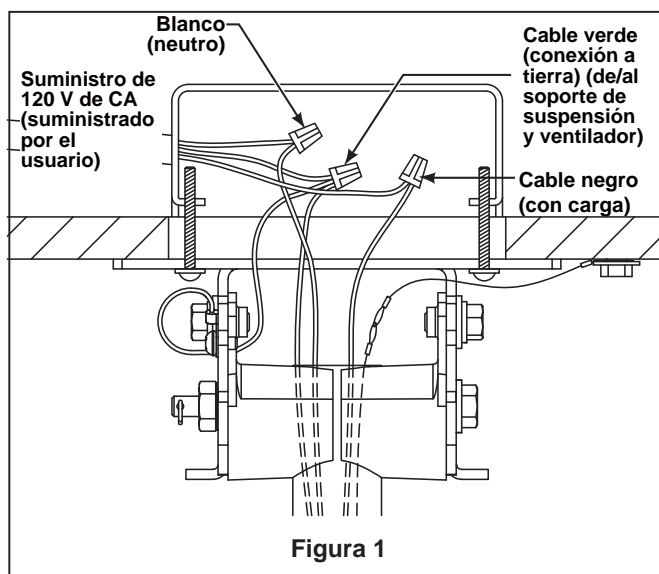
**Si siente que no posee la experiencia o los conocimientos eléctricos necesarios, contrate a un electricista autorizado para instalar el ventilador.**

### **⚠ ADVERTENCIA**

Para evitar posibles descargas eléctricas, asegúrese de que la electricidad esté desconectada de la caja de fusibles principal antes de realizar la instalación eléctrica. **NOTA: si no está seguro si la caja de distribución eléctrica tiene conexión a tierra, pida asesoramiento a un electricista autorizado, ya que la conexión a tierra es importante para un funcionamiento seguro.**

1. Pase los cables negro, blanco y verde a través del orificio que se encuentra del lado del soporte de suspensión, de modo que se pueda llevar a cabo la instalación eléctrica.
2. Conecte el cable de conexión a tierra verde del ventilador y el soporte de suspensión al cable de conexión a tierra de la caja de distribución eléctrica (el mismo puede ser un cable desnudo o un cable con aislamiento de color verde). Conecte estos cables con el conector de cables suministrado con el ventilador.
3. Conecte el cable blanco del motor del ventilador al cable de suministro blanco (neutro) con el conector de cables suministrado (Figura 1).
4. Conecte el cable negro del motor del ventilador al cable de suministro negro con el conector de cables suministrado (Figura 1).

**NOTA: si los cables de suministro o del ventilador son de colores diferentes que los indicados, contrate a un electricista calificado para que realice la instalación.**



5. Luego de realizar las conexiones, doble los cables hacia arriba e insértelos con cuidado en la caja de distribución eléctrica, con los cables blanco y verde a un lado de la caja y los cables negros al otro lado.
6. Se deben separar los cables: el conductor con conexión a tierra y el conductor con conexión a tierra del equipo debe ir en un lado de la caja de distribución eléctrica y el conductor sin conexión a tierra debe ir del otro lado.

## Cómo realizar la instalación eléctrica del ventilador de techo

### **⚠ ADVERTENCIA**

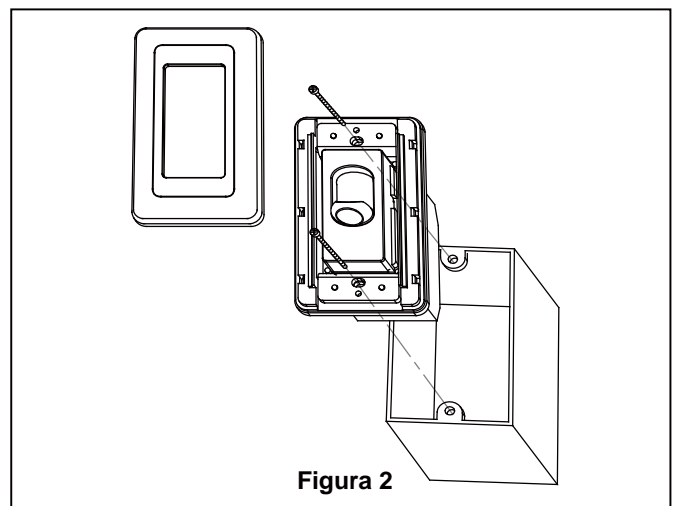
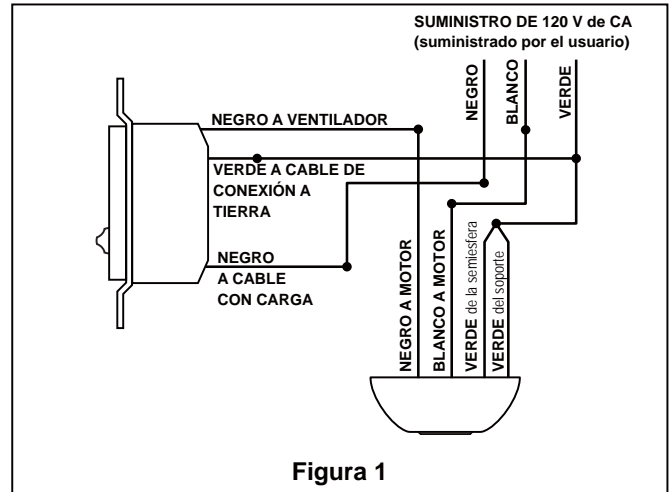
Para evitar posibles descargas eléctricas, asegúrese de que la electricidad esté desconectada de la caja de fusibles principal antes de realizar la instalación eléctrica. **NOTA: si no está seguro si la caja de distribución eléctrica tiene conexión a tierra, pida asesoramiento a un electricista autorizado, ya que la conexión a tierra es importante para un funcionamiento seguro.**

1. Instalación del control de pared (Figuras 1 y 2):
- Con la electricidad todavía desconectada, retire la placa para pared y el interruptor existentes.
  - Realice las conexiones eléctricas con tuercas para terminales como se muestra en la Figura 1.
    - Un cable negro de la unidad de control de pared a cable negro (suministro con carga).
    - Un cable negro de la unidad de control de pared a cable negro que conecta con la caja de distribución eléctrica del techo.
    - Un cable verde de la unidad de control de pared a cable de conexión a tierra que conecta con la caja de distribución eléctrica del techo.
  - Fije la unidad de control de pared a la caja de distribución eléctrica con los dos tornillos de 6-32 suministrados.
  - Fije la placa de pared al frente del control.

### **⚠ ADVERTENCIA**

Verifique que todas las conexiones estén bien ajustadas, incluida la conexión a tierra, y que no haya ningún cable desnudo visible en los conectores de cables, a excepción del cable de conexión a tierra. No haga funcionar el ventilador hasta que las aspas estén colocadas. Podrían producirse ruidos y daños en el ventilador.

**Si siente que no posee la experiencia o los conocimientos eléctricos necesarios, contrate a un electricista autorizado para instalar el ventilador.**



## Instalación de la cubierta del capuchón

**NOTA:** este paso se debe realizar luego de completar la instalación eléctrica necesaria.

### ⚠ ADVERTENCIA

Para evitar posibles incendios o descargas eléctricas, asegúrese de que los cables eléctricos se encuentran completamente adentro de la cubierta del capuchón y de que no están aprisionados entre la cubierta y el techo.

1. Ajuste bien la cubierta del capuchón al soporte de suspensión con los dos tornillos suministrados con el ventilador (Figura 1)

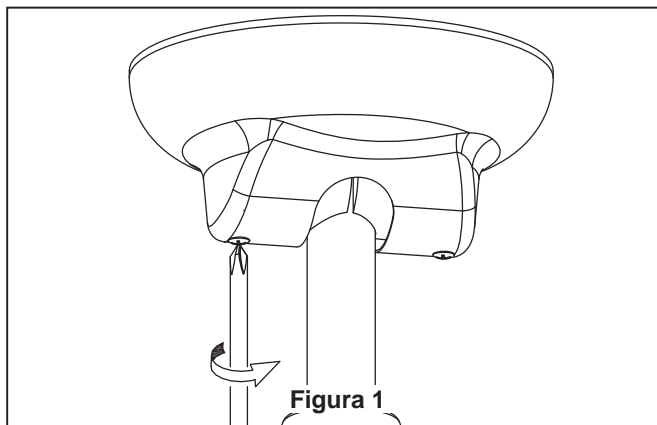


Figura 1

## Instrucciones de funcionamiento: interruptor giratorio

### ⚠ ADVERTENCIA

Verifique que todas las conexiones estén bien ajustadas, incluida la conexión a tierra, y que no haya ningún cable desnudo visible en los conectores de cables, a excepción del cable de conexión a tierra. No haga funcionar el ventilador hasta que las aspas estén colocadas. Podrían producirse ruidos y daños en el ventilador.

1. Seleccione el flujo de aire deseado ubicado en la unidad del motor del ventilador girándolo en sentido horario. (Figura 1)
- 1era posición – velocidad del ventilador alta
  - 2da posición – velocidad del ventilador media
  - 3era posición – velocidad del ventilador baja
  - 4ta posición – ventilador apagado

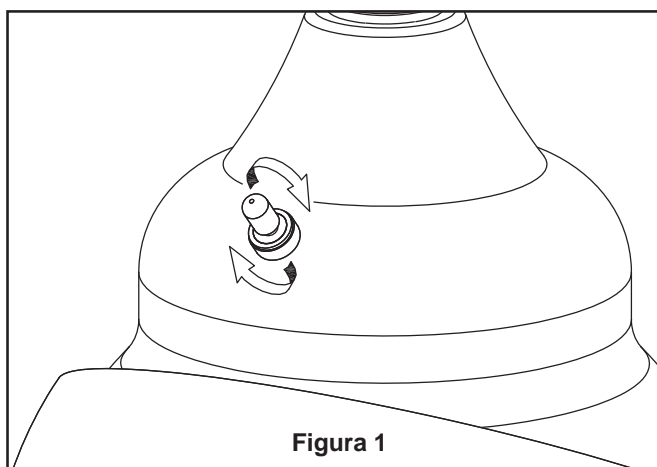


Figura 1

## Instrucciones de funcionamiento: Interruptor del Reversa

1. Si se desea que el flujo del aire vaya en la dirección opuesta, apague el ventilador y espere a que se detengan las palas. Deslice la carcasa de la cubierta para visualizar el interruptor del reverso. Deslice el interruptor del reverso ubicado en la parte superior del motor hacia la posición opuesta y encienda de nuevo el ventilador. (Figura 1)

Información sobre el interruptor de reversa		
Temporada	Dirección de rotación	Posición del interruptor
Verano	En dirección de las manecillas del reloj	Derecha
Invierno	En dirección contraria a las manecillas del reloj	Izquierda

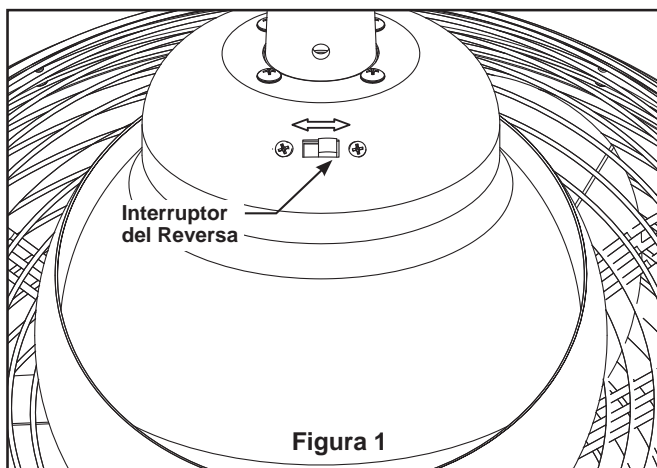


Figura 1



## Instrucciones de funcionamiento: control de pared CW110WH

1. Vuelva a conectar la corriente eléctrica en la caja de distribución eléctrica mediante la conexión de la electricidad en la caja de fusibles principal.

2. **NOTA:** fije el interruptor giratorio en velocidad Alta antes de utilizar el control de pared.

La secuencia de funcionamiento es la siguiente:

- 3 Interruptor deslizable = low speed
- 2 Interruptor deslizable = velocidad media
- 1 Interruptor deslizable = velocidad alta
- 0 Interruptor deslizable = ventilador apagado

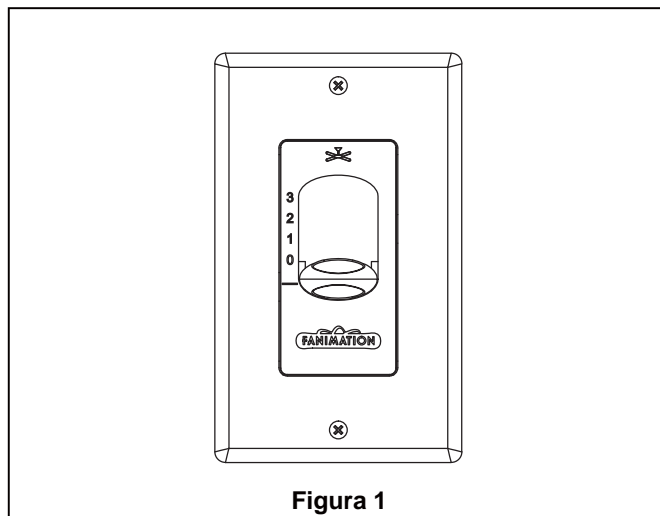


Figura 1

## Mantenimiento

El único mantenimiento necesario para el ventilador de techo es una limpieza periódica. Al llevar a cabo la limpieza, use sólo un cepillo suave o un paño sin pelusas, para evitar rayar el acabado. No se requieren agentes abrasivos ni no abrasivos de limpieza; los mismos deben evitarse para prevenir daños en el acabado.

### PRECAUCIÓN

**No utilice agua para limpiar el ventilador de techo. Podría dañar el motor o el acabado y ocasionar posibles descargas eléctricas.**

## Solución de problemas

### ⚠ ADVERTENCIA

**Para su propia seguridad, desconecte la electricidad de la caja de fusibles o disyuntor antes de solucionar problemas en su ventilador.**

Problema	Causa posible	Solución sugerida
<b>1. EL VENTILADOR NO ARRANCA</b>	<ol style="list-style-type: none"> <li>1. El fusible o el disyuntor están fundidos.</li> <li>2. Las conexiones eléctricas del ventilador o del interruptor en la caja del interruptor están flojas.</li> <li>3. El conmutador inversor se encuentra en posición neutra.</li> </ol>	<ol style="list-style-type: none"> <li>1. Controle los fusibles del circuito principal y derivado o los disyuntores.</li> <li>2. Controle las conexiones eléctricas del ventilador y del interruptor en las cajas de los interruptores.</li> </ol> <p><b>PRECAUCIÓN: ¡Asegúrese de que el suministro principal de electricidad esté desconectado!</b></p> <ol style="list-style-type: none"> <li>3. Asegúrese de que el conmutador inversor esté completamente a un lado.</li> </ol>
<b>2. EL VENTILADOR HACE RUIDO</b>	<ol style="list-style-type: none"> <li>1. Ruido del motor provocado por el control de velocidad de estado sólido variable.</li> </ol>	<ol style="list-style-type: none"> <li>1. Algunos motores de ventilador son sensibles a las señales de los controles de velocidad de estado sólido variables. Los controles de estado sólido no son recomendables. Escoja un método de control alternativo.</li> </ol>
<b>3. EL VENTILADOR OSCILA EN EXCESO</b>	<ol style="list-style-type: none"> <li>1. La tuerca en el soporte de suspensión/barral está floja.</li> </ol>	<ol style="list-style-type: none"> <li>1. Ajuste bien la tuerca del soporte de suspensión/ soporte del barral.</li> </ol>

## Lista de piezas

### Modelo N.º OF110\*\*

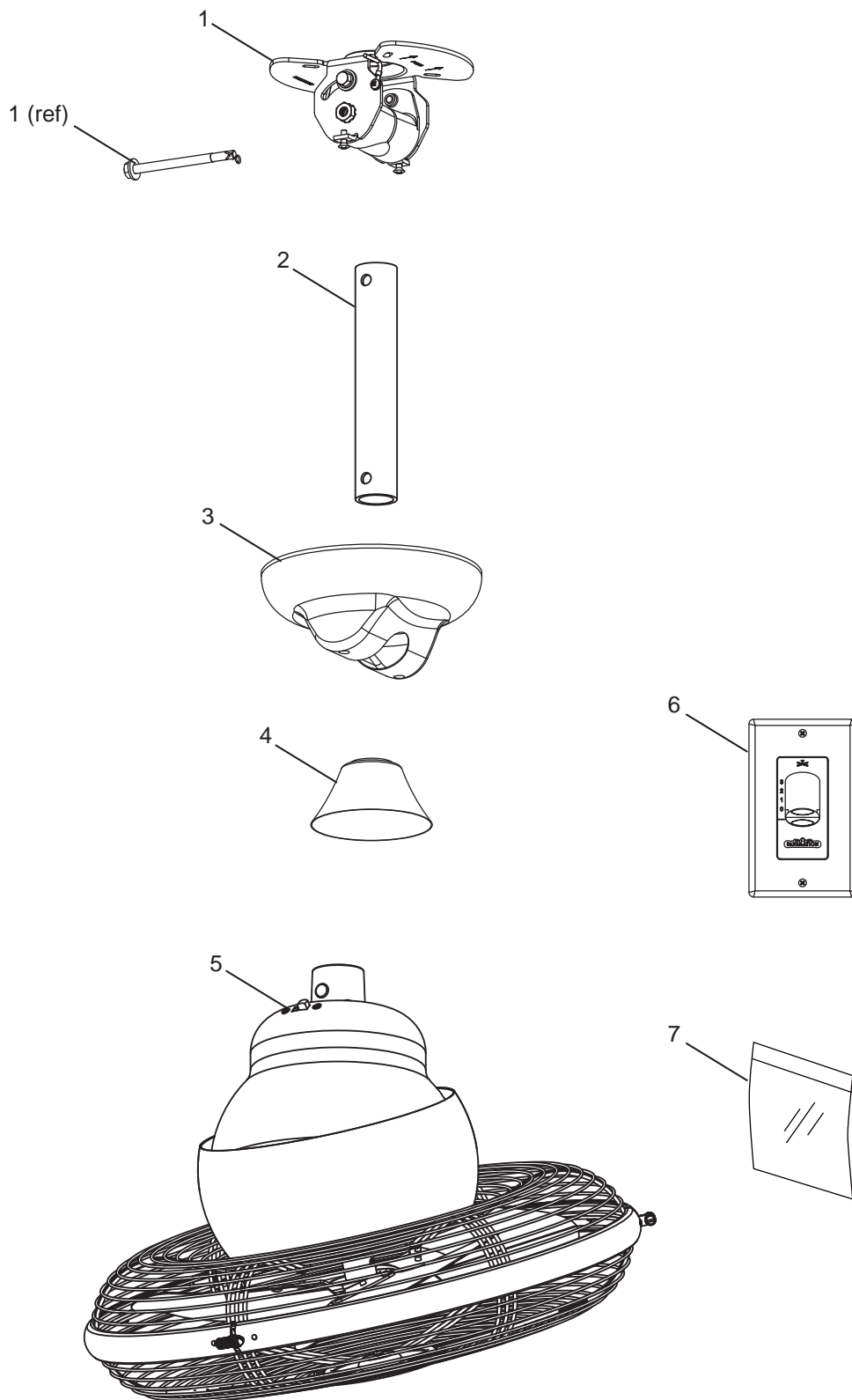
N.º de Ref.	Descripción	Pieza N.º
1	Soporte de suspensión con accesorios para montaje	AP1160BL
2	Barral	DR1-6**
3	Capuchón	P1163**
4	Cubierta de unión del motor	AP1115**
5	Unidad del motor del ventilador	AMA110**
6	Control de pared	CW110WH
7	<i>Bolsa de accesorios que contiene:</i>	HDWOF110
	llave de 7/16" (2)	
	tornillo de cabeza cuadrada de 3/8" x 5" con arandela plana	
	destornillador Phillips de 1 1/2"	
	conectores de cables (4)	
	<i>Bolsa con cable de soporte que contiene:</i>	HWBSC240
	cable de soporte para techo con abrazadera de cable	
	tornillo de cabeza cuadrada de 3/8" x 2"	
arandela plana		

\*\*Inserte los **CÓDIGOS DE ACABADO** (Consulte el número de modelo del ventilador que se encuentra en el soporte de barral)

Antes de desechar los materiales de embalaje, asegúrese de haber extraído todas las piezas

Cómo hacer un pedido de piezas
<p>Al hacer un pedido de piezas de repuesto, proporcione siempre la siguiente información:</p> <ul style="list-style-type: none"> <li>• Número de pieza</li> <li>• Descripción de la pieza</li> <li>• Número de modelo del ventilador</li> </ul> <p>Contact your retail store for repair parts.</p>

# The Extraordinaire™ Despiece



**NOTA:** la ilustración que se muestra no está hecha a escala y su configuración real puede variar.  
Los cables se dibujaron en forma parcial para mayor claridad.

Figura 1



10983 Bennett Parkway  
Zionsville, IN 46077

Llame Sin Cargo al (888) 567-2055  
FAX (866) 482-5215

Desde fuera de los EE.UU. llame al (317) 733-4113  
Visite nuestro sitio Web en [www.fanimation.com](http://www.fanimation.com)