

Laurel Mountain Whirlpools



Walk-In Bathtub Installation Manual



IMPORTANT SAFETY INSTRUCTIONS

PLEASE READ AND FOLLOW ALL INSTRUCTIONS PROVIDED CAREFULLY

- Install to permit access for servicing

An equipment grounding terminal is provided in the field wiring compartment. To reduce the risk of electric shock, this terminal must be connected to the grounding means provided in the electric supply panel with a conductor equivalent in size to the circuit conductors supplying this equipment.

- FOR INDOOR USE ONLY.
- INSTALL IN ACCORDANCE WITH THE MANUFACTURER'S INSTALLATION INSTRUCTIONS.
- USE SUPPLY WIRES SUITABLE FOR 20A OC.
- CONNECT ONLY TO A CIRCUIT PROTECTED BY A CLASS A GROUND FAULT CIRCUIT INTERRUPTER.
- CONNECT ONLY TO A BRANCH CIRCUIT PROTECTED BY AN OVERCURRENT PROTECTION DEVICE RATED NOT MORE THAN 20 A.
- BONDING LUGS USE COPPER CONDUCTORS ONLY.

SAVE THESE INSTRUCTIONS

WARNING- When using electrical products, basic precautions should always be followed, including the following:

CAUTION: RISK OF ELECTRICK SHOCK, DISCONNECT ELECTRIC POWER BEFORE SERVICING.

1. **DANGER: RISK OF ELECTRIC SHOCK.** Connect only to a circuit protected by a ground-fault circuit-interrupter.
2. **Grounding is required.** The unit should be installed by a qualified service representative and grounded.
3. **Never run any cords through or near heaters, pump bodies or any device designed to increase water temperatures or produce heat during normal operations.**
4. **Be sure to install proper bracing and floor supports to handle the weight of these units when full which can exceed 1200lbs**

This manual has been provided to aid the installer during the installation process. It is highly recommended that your walk-in bathtub be installed by a properly licensed plumber or contractor. Failure to do so may void your warranty.

LAUREL MOUNTAIN WHIRLPOOLS

WARNING: RISK OF ACCIDENTAL INJURY OR DROWNING, CHILDREN SHOULD NOT USE HYDROMASSAGE BATHTUB WITHOUT ADULT SUPERVISION.

WARNING: RISK OF ACCIDENTAL INJURY OR DROWNING, DO NOT USE HYDROMASSAGE BATHTUB UNLESS ALL SUCTION GUARDS ARE INSTALLED TO PREVENT BODY AND HAIR ENTRAPMENT.

WARNING: TO AVOID INJURY, USE CAUTION WHEN ENTERING OR EXITING THE HYDROMASSAGE BATHTUB.

WARNING: RISK OF ACCIDENTAL INJURY OR DROWNING, DO NOT USE DRUGS OR ALCOHOL BEFORE OR DURING THE USE OF A HYDROMASSAGE BATHTUB EQUIPPED WITH HEATER TO AVOID UNCONSCIOUSNESS AND POSSIBLE DROWNING.

WARNING: RISK OF FETAL INJURY, PREGNANT OR POSSIBLY PREGNANT WOMEN SHOULD CONSULT A PHYSICIAN BEFORE USING A HYDROMASSAGE BATHTUB EQUIPPED WITH HEATER.

WARNING: RISK OF HYPERTHERMIA AND POSSIBLE DROWNING, DO NOT USE A HYDROMASSAGE BATHTUB EQUIPPED WITH HEATER IMMEDIATELY FOLLOWING STRENUOUS EXERCISE.

WARNING: TEST THE GROUND FAULT CIRCUIT INTERRUPTER PROTECTING THIS APPLIANCE PERIODICALLY IN ACCORDANCE WITH THE MANUFACTURER'S INSTRUCTIONS.

WARNING: RISK OF HYPERTHERMIA, PEOPLE USING MEDICATIONS AND/OR HAVING ADVERSE MEDICAL HISTORY SHOULD CONSULT A PHYSICIAN BEFORE USING A HYDROMASSAGE BATHTUB EQUIPPED WITH A HEATER.

WARNING: RISK OF HYPERTHERMIA, PEOPLE USING MEDICATIONS AND/OR HAVING AN ADVERSE MEDICAL HISTORY SHOULD CONSULT A PHYSICIAN BEFORE USING A HYDROMASSAGE BATHTUB EQUIPPED WITH A HEATER.

WARNING: RISK OF ELECTRIC SHOCK, DO NOT PERMIT ELECTRIC APPLIANCES (SUCH AS A HAIR DRYER, LAMP, TELEPHONE, RADIO, OR TELEVISION) WITHIN 5 FEET OF THIS HYDROMASSAGE BATHTUB.

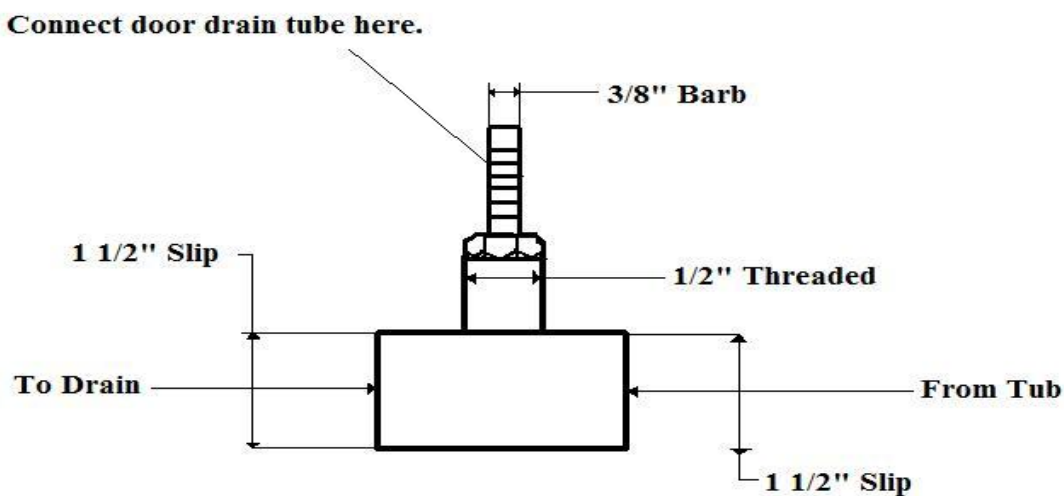
LAUREL MOUNTAIN WHIRLPOOLS

1. **Never** lift a whirlpool bathtub by the pipes! By doing this you can cause severe damage to the whirlpool system. Always lift the unit by the frame to avoid risk of any damage to the unit or the whirlpool system.
2. Before installation cover all of the jets and suction to minimize the chance of debris falling into them and creating a blockage.
3. Cover the door drain located at the bottom of the door opening with tape to avoid blocking it with debris.
4. **Never** use the door as a handle for lifting, or a seat during installation.
5. Be sure to cover the acrylic surface while setting tile and/or painting to avoid damaging the high gloss finish.
6. **Do not** dry wipe the unit during the cleaning process, always use mild soap and water and a fresh soft cloth to clean.

IMPORTANT Be sure to uncover all holes and blow out the door drain with compressed air before filling and testing after the installation has been completed! **THIS PART IS NOW INCLUDED**

- Plumbers please note that the following parts will be needed to connect the door drain to the main drain assembly.

- ~~1. 1 ½ x 1 ½ x ½ fip Fitting Lasco part #402-409~~
- ~~2. Watts A193B fitting~~



LAUREL MOUNTAIN WHIRLPOOLS

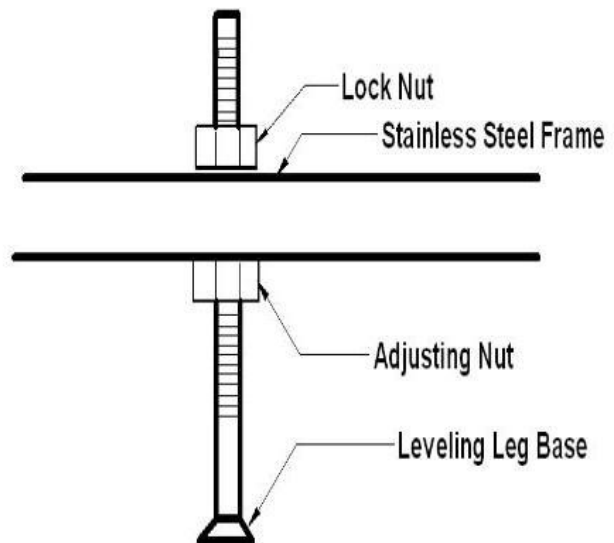
After removing your old tub or shower, take a level and check to be sure all the walls are level. Next remove any debris and check for any obstruction that may interfere with your installation.



Now you can bring in your new unit and begin to install it. Make sure that all sides fit to the walls and begin leveling the unit.



Use the five leveling legs provided to adjust height and achieve uniform leveling of the tub. Loosen the top (locking) nut by turning counter-clockwise, then loosen the bottom (adjusting) nut and move up or down according to leveling demands. After achieving the proper adjustment tighten the lock nut to secure the leveling leg.



LAUREL MOUNTAIN WHIRLPOOLS

After properly leveling the unit, your plumber is now ready to install your plumbing. After the plumbing has been installed, it is imperative that you check for any leaks at this point before proceeding any further.



Depending on the size unit that you choose, there may or may not be additional space left which in most cases can be easily converted to a handy shelf area to hold soap, shampoo etc..., as shown here during the framing stages.



Be sure to use waterproof materials on the walls surrounding your bathtub such as cement board shown here to avoid any future mold issues.

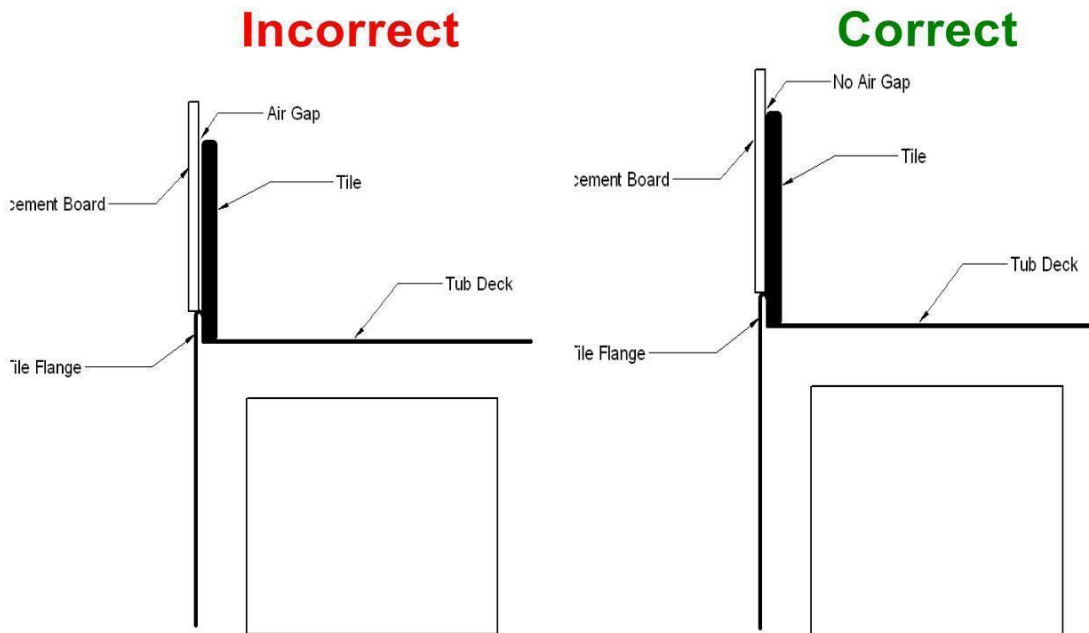


LAUREL MOUNTAIN WHIRLPOOLS

You are now at the point which the walls can be covered with your choice of materials. We chose tile. Not matter what you use please pay close attention to detail, to ensure that your Laurel Mountain Walk-in Bathtub will retain it's elegant appeal.



The pictures below depict the correct and incorrect alignment of the tile flange and cement board. The picture labeled incorrect shows that the cement board is not lined up properly with the integral tile flange, leaving an air gap. The picture labeled correct indicates that the cement board has been properly installed ensuring a perfect tile angle.



Drain Stopper Adjustment

Step 1: Lift the drain stopper out of the drain.

Step 2: Locate the lock nut as shown in Figure 1.

Step 3: Loosen the lock nut as shown in Figure 2.

Step 4: Turn the adjusting bolt in or out to the desired height.

Step 5: Tighten the lock nut.

Step 6: Insert the stopper back into the drain.

Fig.1.

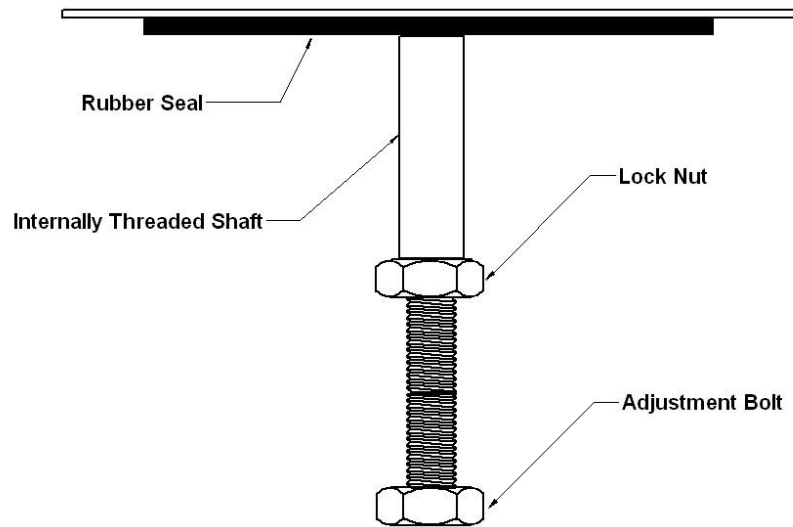
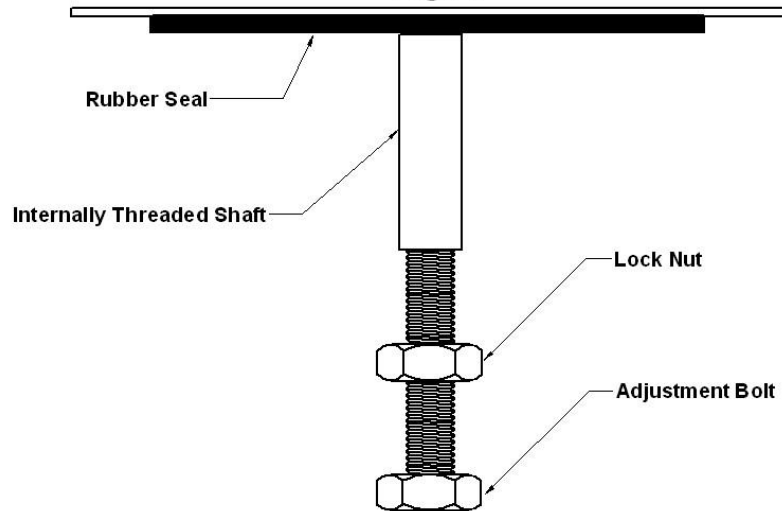


Fig.2.



LAUREL MOUNTAIN WHIRLPOOLS

Laurel Mountain Whirlpools have been producing custom acrylic bath tubs for nearly twenty years. Their experience and commitment to quality and service enables them to provide you with walk-in tubs that are both safe and enjoyable to use.

Our bath shells are fabricated from cast, high quality, gleaming sheets of durable acrylic. The non-porous surface is impervious to stains, grease or grime associated with surface finishes of conventional porcelain and/or gel coat fiberglass. Properly installed and with the care suggested in this manual, your Laurel Mountain tub will retain its original high luster and offer you trouble-free operation for a lifetime.



Contact Information

Laurel Mountain Whirlpools

1610 James Rodgers Dr.

Valdosta, GA 31603

1-800-930-0050 Phone

1-800-930-0051 Fax

www.laurelmountainwhirlpools.com

sales@laurelmountainwhirlpools.com