

# ATMOR

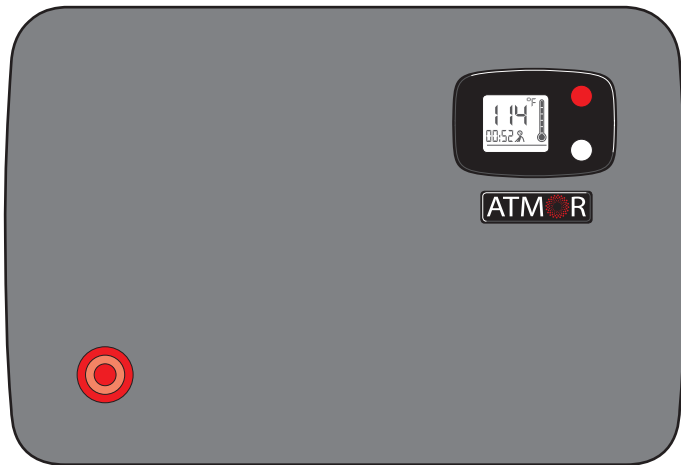
Hot Water **on Demand**

## Installation and Operation Guide

### Thermo Boost

### Instant Water Heater

Digital electric tankless instant water heater provides endless supply of hot water while significantly conserving energy and water



[www.atmorusa.com](http://www.atmorusa.com)

P.N. 197377

# Table of Contents

	<b>Page</b>
Safety Guidelines .....	2
Technical Information.....	3
Plumbing.....	4-5
Mounting.....	5
Installation Procedure.....	6-8
Wiring .....	9
Starting the System .....	10
Operation Guide .....	11
Care and Maintenance .....	13
Troubleshooting.....	14

# Important Safety Guidelines

## 1. Safety Guidelines

Read this manual thoroughly before attempting to install the instant water heater.

**Failure to follow the safety instructions in this manual may cause damage to the unit, and could also result in property damage, personal injury, or loss of life.**

**Failure to comply with the safety, installation or operating instructions voids the product warranty.**

**The product manufacturer and the product distributor will not be liable for any damages or injury because of failure to comply with the installation and operating instructions specified in this manual or because of improper use.**

Never attempt to install, disassemble, inspect or repair, disassemble or service the water heater without first shutting off all power to the unit by means of the circuit breaker on the main electrical panel.

The water heater must be installed by a licensed electrician and in compliance with all national, state, provincial and local electrical and building regulations.

Always contact your local authorized distributor for service.

## 2. Safety – Important Notes

- For household and indoor use only.
- Do not immerse in water.
- For power supply connection use 6 AWG (10.5kW) or 4 AWG (14kW) wires or larger, suitable for at least 90°C (194°F).
- The heater must be installed by a professional technician and according to the installation instructions.
- The heater must be grounded.
- The heater must be connected to a dedicated circuit breaker on the main electrical panel.
- The plumbing installation must be completed before the electrical installation.
- The plumbing installation requires metal pipes or reinforced hoses that can withstand pressure up to 116 psi.
- A pressure relief device (PRD) must be installed at the inlet of the water supply line.
- To ensure proper operation, the water supply flow rate must be at least 0.5 gpm.
- Do not install the heater where it may be subjected to direct sunlight, rain, splashing water, or freezing temperatures.
- This unit is intended for heating water only. Do not attempt to use the unit for heating any other kind of liquid.

Before connecting the product to a public power network, consult your local power supply authority to ensure the power network meets the stated requirements.

**SAVE THESE INSTRUCTIONS**

# Technical Information

## Electrical Specifications

	Thermo Boost 10.5 kW	Thermo Boost 14 kW
Heating elements	2	2
Watts	10,500 W	14,000 W
Kilowatts	10.5 kW	14 kW
Voltage	240 V	240 V
Circuit breaker amperage	50 A	70 A
Breaker/relay	double-pole	double-pole
Total connection load	43.7 A	58 A
Cable size (minimum)	6 AWG	4 AWG

## Plumbing Specifications

Minimum water flow to activate unit	0.5 gpm
Working pressure	7–115 psi (0.5–8 bar)
Tested pressure	230 psi (16 bar)
Water connections	1/2" NPT

## Flow Rate

Temperature Rise $\Delta t$ (°F)	Flow Rate (gpm)	
	Thermo Boost 10.5 kW	Thermo Boost 14 kW
77	0.87	0.95
45	1.7	2.3
35	2.2	2.9

## Physical Dimensions

Height	Width	Depth	Weight
9 1/2 in. (235 mm)	11 3/8 in. (289 mm)	4 1/8 in. (104 mm)	5 lb 11oz (2.58 kg)

# Plumbing

## 01

The plumbing installation must be completed before the electrical installation.

## 02

A pressure relief device (PRD) must be installed on the heater's incoming water supply line prior to installing the unit. The maximum recommended operating water pressure is 116 psi (8 bar).

## 03

Residential plumbing systems with unstable pressure or pressure above 5 bar require the application of a pressure stabilizer valve, set to 43-72 psi (3-5 bar).

## 04

The plumbing installation requires pipes or reinforced flexible hoses that can withstand pressure up to 116 psi (8 bar) and that are rated for high temperature applications.

## 05

Copper water pipes are recommended for use within three feet of the unit's water inlet and outlet. Other types of piping can be used provided that are rated for high temperature applications.

## 06

If installing the heater on an upper floor or in an attic, be sure installation is in compliance with local code. Install a drip pan with drainage, or a leak detector and automatic shutoff valve, to prevent damage in case of a leak.

## 07

After plumbing installation is completed, carefully inspect all fittings and connections, and the pressure relief device for leaks.

## 08

Before proceeding to electrical installation, run water through the unit for several minutes to flush out any air bubbles from the water line.

## Mounting

**01** The mounting surface must be solid and secure.

**02** The unit must be installed in an upright position with the water inlet and outlet at the bottom.

**03** Make sure the unit is level prior to securing the mounting screws.

**04** Use mounting screws that are at least 1 inch in length.

**05** Do not install the unit above electrical boxes or junctions.

**06** The water heater must be installed in a manner that prevents contact with combustible materials. Keep combustible materials at least two feet away from the heater and hot water output pipe. The water heater and hot water outlet pipe must be securely out of the reach of children to prevent tampering with controls or contact with an extremely hot pipe.

**07** If installing the heater on an upper floor or in an attic, be sure installation is in compliance with local code. Install a drip pan with drainage, or a leak detector and automatic shutoff valve, to prevent damage in case of a leak.

# Assembly Instructions

## 01

Connect the pressure relief device (PRD) to the unit (Figure 1)

**IMPORTANT – Do not omit this step. A PRD must be installed.**

## 02

Remove the appliance covers (Figure 2).

## 03

Disconnect the cables from the PCB within the unit. (Figure 3)

## 04

Mount the unit on the wall with 4 screws at the marked points. (Figure 4)

Make sure the unit is horizontally level, with water inlets and outlets at the bottom. (Figure 5)

## 05

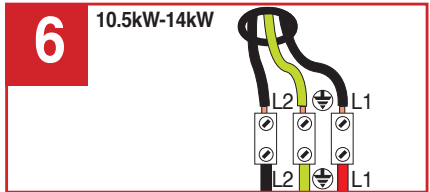
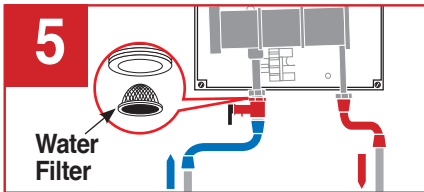
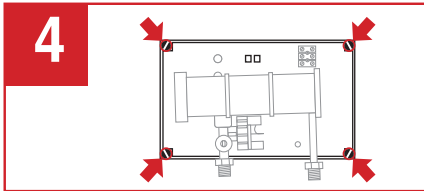
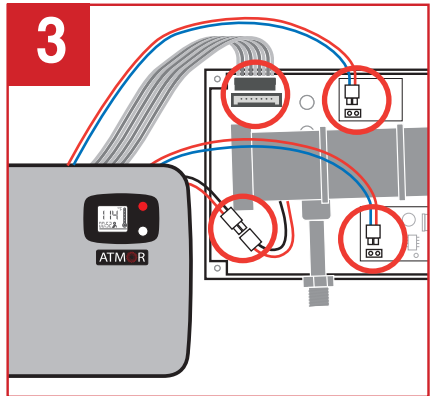
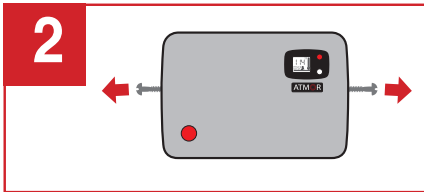
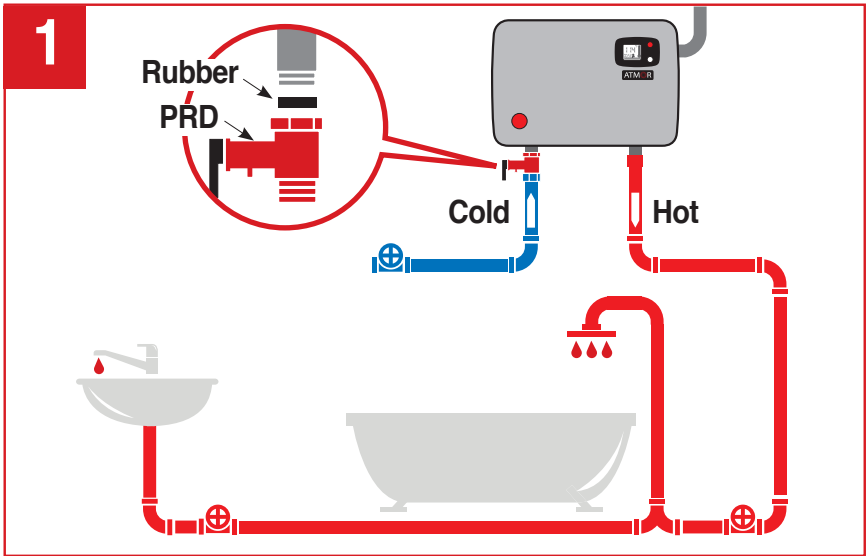
Connect the incoming water line to the heater inlet (on left side), and connect the outgoing water line to the heater outlet (on right side).  
Use a hose that can withstand pressure up to 116 psi (8 bar) (Figure 5).

## 06

Run water through the unit for one minute, and make sure there are no leaks.

## 07

Make sure power to the unit is shut off by means of the dedicated circuit breakers on the main electrical panel.  
Run the power cable wires from the circuit breakers on the main electrical panel to the water heater.  
Connect the power cable to the terminal block within the unit.  
Make sure the correct breaker size and wire gauge have been used.  
Make sure all wire connections are tight and secure.  
Make sure the unit is connected to a ground in accordance with applicable codes. (Figure 6)



**7**



## Assembly Instructions

# 08

Reconnect the cables to the PCB within the unit. (Figure 3)

# 09

Place the front cover onto the unit and reattach it with 2 screws. (Figure 2)

# 11

Restore power to the unit by means of the dedicated circuit breakers on the main electrical panel.

# 12

Do not install the heater where it may be subject to direct sunlight, and freezing temperatures.

# 10

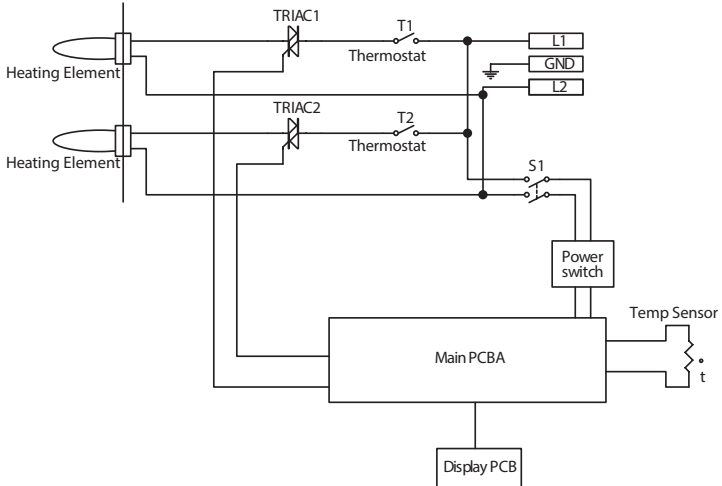
Before turning on power to the water heater, open several hot water faucets and allow water to run through the unit for several minutes to purge any air from the heater and water lines.

**This step must be performed before turning on power to the heater.**

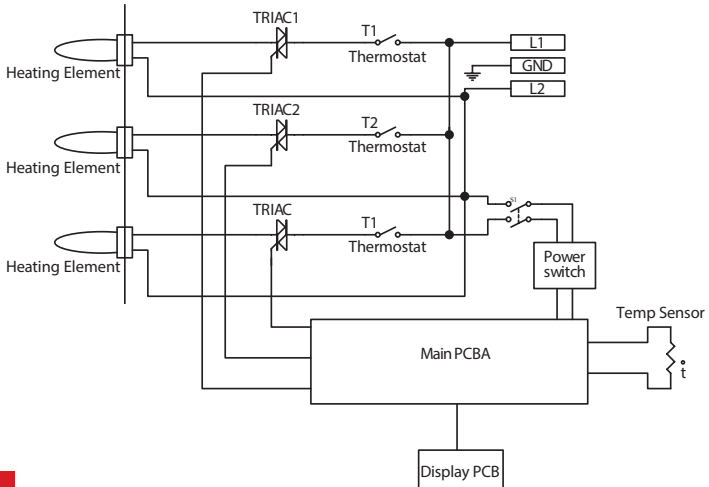
**Failure to perform this step may result in permanent damage to the heater and heating elements.**

# Electrical Diagram

## 2 Phase, 10.5kW 240V



## 21 Phase, 14kW 240V



# Starting the System for the First Time

# 01

Press the On/Off switch (C) to activate the heater.

# 02

With water running through the unit, adjust the temperature using the Up and Down buttons. (B)  
The recommended temperature setting is 118°F (48°C).

# 03

The water heater is now ready for operation.

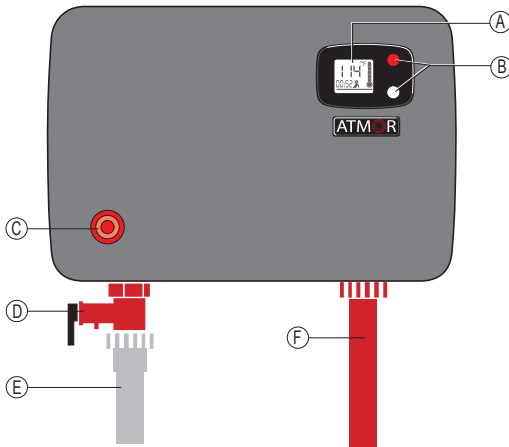
## Setting the Output Water Temperature

To set the temperature, first turn on a hot water faucet and allow water to run through the heater. The digital display lights up and shows the current temperature setting.

To increase or lower the temperature setting, press the UP or DOWN button.

Temperature can be set to a level from 90°F to 135°F (30°C to 57°C).

A higher temperature setting is not recommended, as it can cause serious scalding injuries to children and elderly persons. Higher temperatures also produce more scale buildup in water heating devices.



- A Digital temperature display
- B Temperature setting Up/Down buttons
- C On/Off switch
- D Pressure relief device (PRD)
- E Cold water inlet
- F Hot water outlet (to be connected to the main hot water pipe)

# Operation Guide

## Operating Instructions for the Home Owner

This electric water heater is designed as a point of use product to supply hot water to types of outlets. Unlike a conventional tank storage water heater, this unit is a tankless water heater that does not store hot water. However, once you begin using the system, you will find it operates much like a conventional tank system.

Tankless systems deliver hot water instantaneously on demand. Since a tankless system does not waste energy continually heating water that is idly sitting and losing heat in a storage tank, it provides greater energy efficiency than a conventional system.

With your new system, as soon as you turn on a hot water faucet, the demand for hot water is detected, and high power heating elements are activated. Sensors continually monitor water flow rate and incoming and outgoing temperature, and transmit data to the system controller, which determines the exact amount of power required by heating elements to reach the set temperature.

It is important to remember that all tankless water heaters are subject to a maximum flow rate. If this flow rate is exceeded, the heater will not be capable of fully heating water.

Also keep in mind that conventional tank heaters are set to high temperatures to prevent running out of hot water quickly, and thus a large amount of cold water needs to be mixed in to reach a comfortable level for washing and showering. Since this unit heats water on demand, it is designed to heat to a lower temperature. This means you only need to mix in a small amount of cold water, or none at all.

Your hot water supply may also be affected by the incoming water temperature. During winter, if incoming water temperature is very cold, you might not be able to run multiple hot water outlets at the same time. However, you can run showers back-to-back without having to wait for water to heat.

# Operation Guide

## Freezing Temperatures

If the ambient temperature falls below 32°F (0°C), protect the heater from potential damage. Shut off power to the unit by means of the dedicated circuit breaker on the main electrical panel. Open a faucet slightly to cause water to flow continuously through the device at a very low rate, without heating. Restore power to the unit when temperature conditions allow.

If the water inside the heater freezes, it can cause damage that is not covered by warranty. If you suspect water has frozen within the unit, do not turn it on until you are certain the frozen water has melted and there are no leaks in the unit. It is recommended to contact a qualified electrician or the customer service in this situation.

## Leak Detected

If you detect a water leak from the water heater: Turn off the water supply at the shutoff valve on the unit's incoming water supply line, shut off power to the heater, and contact customer service.

# Care and Maintenance

Periodic inspections and tests are recommended for the unit once every 6-12 months, depending on the hardness in your water.

Remember that water heated to higher temperatures produces scale buildup much faster than at lower temperatures.

Clean the filter every 6 months or more often, depending on the hardness of your water.

Electrical connections should be tested once a year by a qualified technician.

Plumbing connections on the water heater should be inspected at least once a year for any signs of damage or failure. If the water supply has a high level of mineralization (hard water), the water heater should be inspected and descaled more frequently.

As a result of maintenance or a water stoppage, air may be introduced into the plumbing system. Under such circumstances, follow the steps below to ensure the unit can safely resume operation.

## Care and Maintenance

### Stopping and restarting the system due to servicing, water stoppage, or other interruptions of operation

**01**

Press the power switch to the OFF position.

**02**

Shut off all power to the unit at the circuit breaker on the main electrical panel.

**03**

Perform the maintenance or servicing tasks.

**04**

Open one or more hot water faucets and allow water to run through the unit for several minutes to purge any air from the heater and water lines.

**This step must be performed before turning on power to the heater.**

**Failure to perform this step may cause permanent damage to the heating elements.**

**05**

Reconnect power to the unit at the circuit breaker on the main electrical panel. Press the power switch to the ON position.

**06**

With water running through the unit, check and reset the temperature if necessary. The recommended temperature setting is 118°F (48°C).

# Troubleshooting

Before calling for service, check the troubleshooting list of common issues.

If you are unable to resolve a problem, contact your customer service.

PROBLEM	POSSIBLE CAUSE	SOLUTION
Water not hot enough.	The water flow rate exceeds the heating capacity of the heater.	Reduce the water flow rate at the faucet or slightly close the shutoff valve on the unit's incoming water supply line to reduce the water flow rate.
	Temperature setting is too low.	Increase the temperature setting on the unit.
	Water pressure is less than 7 psi (0.5 bar).	Make sure the shutoff valve is fully open and the water supply line is not blocked.
	Electrical malfunction.	Contact a qualified electrician or your local authorized distributor for service.
Water too hot.	The water flow rate through the heater is too slow.	Increase the flow rate at the water outlet.
	Temperature setting is too high.	Switch to a lower temperature setting.
Heater shuts off during use.	Power outage or faulty wiring.	Check the power supply. Check the circuit breaker. If problem persists, contact a qualified electrician or the manufacturer.
Water stops flowing.	Blockage in water pipes or hoses. No water supply.	Make sure the main water line valve is fully open and there are no obstructions in the water supply line.
Water temperature varies from hot to cold during use.	Water pressure has dropped below minimum level.	Increase the flow rate from the water supply source.
No hot water even though the shutoff valve on the unit's incoming water supply line is fully open.	Power outage or faulty wiring.	Check the power supply. Check the circuit breaker.
	The flow rate needed to activate the heating element (0.5 gpm) has not been reached.	Increase the flow rate from the water supply source. Clean the filter screen on the unit's water inlet.

**If you have an issue and need further assistance,  
please call: 1-888-783-6082**

## LIMITED WARRANTY

The terms of this warranty is solely subject to the original owner and is at no time transferable. A transfer of ownership will result in an immediate termination of this warranty. This warranty is valid only if product is purchased from an authorized reseller.

Atmor warrants to the original owner that our instant water heaters will be free from defect in workmanship and material for a period of TWO YEARS from the date of purchase, and free from leakage for a period of SEVEN YEARS from the date of purchase. Should any part(s) prove to be defective during this period, Atmor will be responsible for replacement of the defective part(s) only. Atmor is not responsible for labor charges or any incidental or consequential expenses. Atmor's liability is limited to the cost of the product or \$1,000.00, whichever is less. Atmor is not an insurer and the original owner should purchase insurance to cover damage to property or belongings. The original owner agrees to waive their right to jury trial or to participate in a class action. In addition, the original owner agrees to waive subordination to the extent a loss is covered by insurance, so that their insurance company cannot proceed with action against Atmor for recovery of any claims. Furthermore, all claims must be arbitrated in the state of New Jersey.

Should the owner wish to return the water heater for repair, the owner must first secure a written authorization from Atmor. The owner shall be required to show proof of purchase date and to pay all transportation costs to return the defective part(s) or water heater for repair or replacement. Warranty is void if: (a) water heater has been installed or used improperly; (b) design has been altered in any way; (c) water heater has been installed and/or serviced by someone other than a licensed electrician; or (d) if the water heater has been installed or used in contradiction to installation instructions, applicable laws and/or ordinances.

A full and complete version of this warranty is available on the online, [www.atmorusa.com](http://www.atmorusa.com), or upon request from an Atmor representative

Distributed by:

**PARAGON GROUP USA LLC**

Englewood, NJ 07631  
USA

Phone: 1-888-783-6082

Email: [info@paragongroupusa.com](mailto:info@paragongroupusa.com)

Web: [www.atmorusa.com](http://www.atmorusa.com)



Call us first and let our service team help!

**DO NOT RETURN TO STORE**

Have questions about your unit or need service?

Please call:  
1-888-783-6082

or email:  
[info@paragongroupusa.com](mailto:info@paragongroupusa.com)

Our staff is ready to provide you with assistance.

Monday – Friday, 9AM - 5PM EST



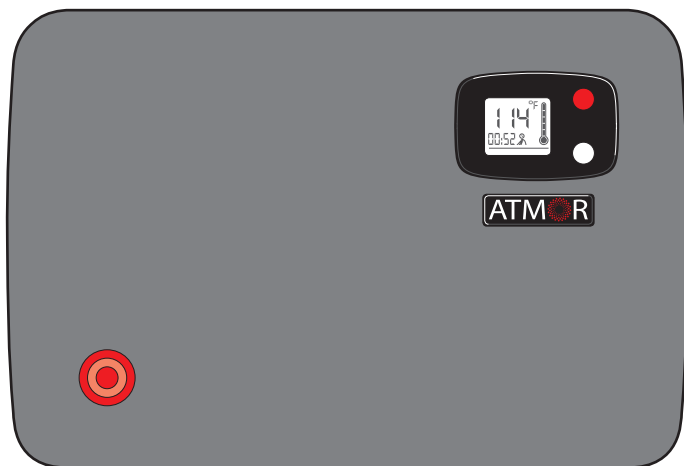
# ATMOR

Agua caliente a petición

## Guía de instalación y manejo Thermo Boost

### Calentador de agua instantáneo

El calentador de agua instantáneo eléctrico digital sin tanque proporciona suministro ilimitado de agua caliente al mismo tiempo que ahorra energía y agua de manera considerable



[www.atmorusa.com](http://www.atmorusa.com)

N.º de pieza 197377

# Índice

	<b>Página</b>
Pautas de seguridad.....	2
Información técnica .....	3
Tubería de agua .....	4-5
Montaje.....	5
Procedimiento de instalación.....	6-8
Conexión de cables .....	9
Puesta en funcionamiento del sistema.....	10
Guía de manejo .....	11
Cuidado y mantenimiento.....	13
Solución de problemas .....	14

# Pautas de seguridad importantes

## 1. Pautas de seguridad

Lea detalladamente este manual antes de intentar instalar el calentador de agua instantáneo.

**El hecho de no seguir las instrucciones de seguridad de este manual podría causar daño a la unidad, y también podría resultar daño a la propiedad, lesiones personales o pérdida de vidas.**

**El hecho de no seguir las instrucciones de seguridad, instalación o manejo anula la garantía del producto.**

**El fabricante del producto y el distribuidor del producto no serán responsables de ningún daño o lesión debido al hecho de no seguir las instrucciones de instalación y manejo especificadas en este manual o debido a un uso inapropiado.**

Nunca intente instalar, desensamblar, inspeccionar o reparar, desensamblar o suministrar servicio de mantenimiento al calentador de agua sin primero apagar toda la energía eléctrica hacia la unidad por medio del interruptor automático en el panel eléctrico principal.

El calentador de agua debe ser instalado por un electricista con licencia y de acuerdo con todos los reglamentos de electricidad y construcción nacionales, estatales, provinciales y locales.

Siempre comuníquese con su distribuidor autorizado local para obtener servicio.

## 2. Seguridad – Notas importantes

- Sólo para uso casero y en interiores.
- No lo sumerja en agua.
- Para la conexión del suministro de energía eléctrica, utilice alambres de 6 AWG (10.5 kW) ó 4 AWG (14 kW) o de mayor calibre, apropiados para 90°C (194°F) como mínimo.
- El calentador debe ser instalado por un técnico profesional y de acuerdo con las instrucciones de instalación.
- El calentador se debe conectar a tierra.
- El calentador se debe conectar a un interruptor automático dedicado en el panel eléctrico principal.
- La instalación de la tubería de agua se debe realizar antes de la instalación eléctrica.
- La instalación de la tubería de agua requiere tubos metálicos o mangueras reforzadas que puedan soportar presión de hasta 116 psi.
- Se debe instalar un dispositivo de alivio de presión (PRD) en la tubería de entrada del suministro de agua.
- Para garantizar un funcionamiento apropiado, el caudal de suministro de agua debe ser 0.5 gpm como mínimo.
- No instale el calentador donde este pudiera exponerse a la luz directa del sol, lluvia, salpicaduras de agua o temperaturas de congelación.
- Esta unidad está diseñada para calentar agua únicamente. No intente utilizar la unidad para calentar cualquier otro tipo de líquido.

Antes de conectar el producto a una red pública de energía eléctrica, consulte a su autoridad local de suministro de energía eléctrica para asegurarse que la red eléctrica cumple con los requisitos indicados.

**CONSERVE ESTAS INSTRUCCIONES**

**2**

# Información técnica

## Especificaciones Eléctricas

	Thermo Boost 10.5 kW	Thermo Boost 14 kW
Elementos de calentamiento	2	2
Watts	10.500 W	14.000 W
Kilowatts	10.5 kW	14 kW
Voltaje	240 V	240 V
Amperaje del interruptor automático	50 A	60 A
Interruptor automático/Relé	Bipolar	Bipolar
Carga total de la conexión	43.7 A	58 A
Tamaño de cable (mínimo)	6 AWG	4 AWG

## Especificaciones de la tubería de agua

Flujo de agua mínimo para activar la unidad	0.5 gpm
Presión de trabajo	7-115 psi (0.5-8 bars)
Presión probada	230 psi (16 bar)
Conexiones de agua	1/2" NPT

## Caudal

Aumento de temperatura $\Delta t$ (°F)	Caudal (gpm)	
	Thermo Boost 10.5 kW	Thermo Boost 14 kW
77	0.87	0.95
45	1.7	2.3
35	2.2	2.9

## Dimensiones físicas

Altura	Ancho	Profundidad	Peso
9 1/2 pulg. (235 mm)	11 3/8 pulg. (289 mm)	4 1/8 pulg. (104 mm)	5 lb 11oz (2.58 kg)

# Plomería

## 01

La instalación de la tubería de agua se debe realizar antes de la instalación eléctrica.

## 02

Antes de instalar la unidad, se debe instalar un dispositivo de alivio de presión (PRD) en la tubería de entrada del suministro de agua. La presión de operación máxima recomendada del agua es 116 psi (8 bar).

## 03

Los sistemas de tubería de agua residenciales con presión inestable o presión superior a 5 bars requieren la aplicación de una válvula estabilizadora de presión ajustada en 43 a 72 psi (3 a 5 bars).

## 05

Se recomienda utilizar tubos de cobre para agua de menos de 91 cm (3 pies) en la entrada y la salida de agua de la unidad. Se pueden utilizar otros tipos de tubos siempre y cuando tengan capacidad para aplicaciones a altas temperaturas.

## 06

Si el calentador se instala en un piso superior o en un ático, asegúrese que la instalación cumple el código local. Instale una bandeja de goteo con drenaje, o un detector de fugas y una válvula de cierre automático, para evitar daños en caso de una fuga.

## 08

Antes de proceder a la instalación eléctrica, haga fluir agua a través de la unidad durante varios minutos para hacer salir cualquier burbuja de aire de la tubería de agua.

## 04

La instalación de la tubería de agua requiere tubos o mangueras flexibles reforzadas que puedan soportar una presión de hasta 116 psi (8 bars) y con capacidad para aplicaciones de alta temperatura.

## 07

Después de finalizar la instalación de la tubería de agua, inspeccione cuidadosamente todos los acoples y conexiones, y el dispositivo de alivio de presión en busca de fugas.

## Montaje

# 01

La superficie de montaje debe ser sólida y firme.

# 02

La unidad se debe instalar en posición vertical con la entrada de agua y la salida de agua en la parte inferior.

# 03

Verifique que la unidad esté nivelada antes de asegurar los tornillos de montaje.

# 04

Utilice tornillos de montaje de 2.5 cm (1 pulg.) de longitud como mínimo.

# 05

No instale la unidad encima de cajas o conexiones eléctricas.

# 06

El calentador de agua se debe instalar de tal manera que evite el contacto con materiales combustibles. Mantenga los materiales combustibles a al menos 61 cm (2 pies) de distancia del calentador y del tubo de salida de agua caliente.

El calentador de agua y el tubo de salida de agua caliente se deben instalar de manera segura fuera del alcance de los niños para evitar la manipulación de los controles o el contacto con un tubo extremadamente caliente.

# 07

Si el calentador se instala en un piso superior o en un ático, asegúrese que la instalación cumple el código local. Instale una bandeja de goteo con drenaje, o un detector de fugas y una válvula de cierre automático, para evitar daños en caso de una fuga.

## Instrucciones de ensamblaje

# 01

Conecte el dispositivo de alivio de presión (PRD) a la unidad (Figura 1)

**IMPORTANTE – No omita este paso. Se debe instalar un PRD.**

# 02

Remueva las cubiertas del aparato (Figura 2).

# 03

Desconecte los cables de la tarjeta de circuitos impresos ubicada dentro de la unidad. (Figura 3)

# 04

Monte la unidad en la pared mediante 4 tornillos en los puntos marcados. (Figura 4)

Verifique que la unidad esté nivelada antes de asegurar los tornillos de montaje. (Figura 5)

# 05

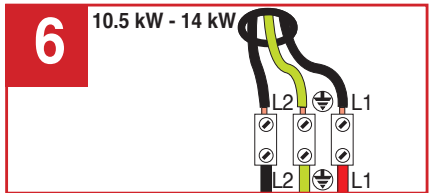
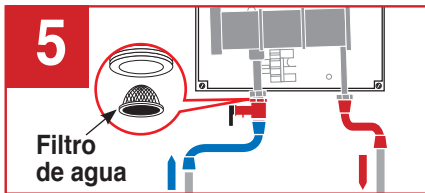
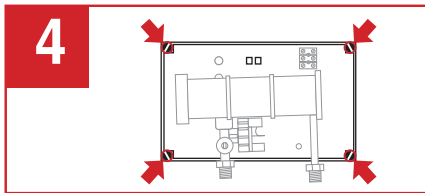
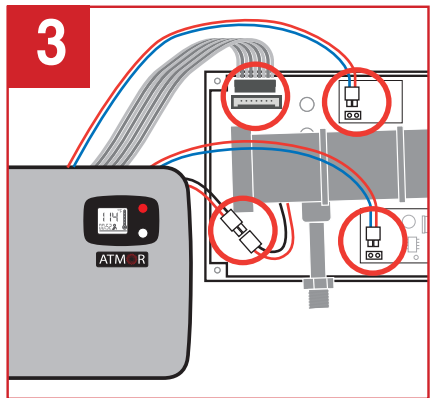
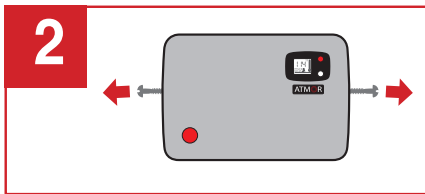
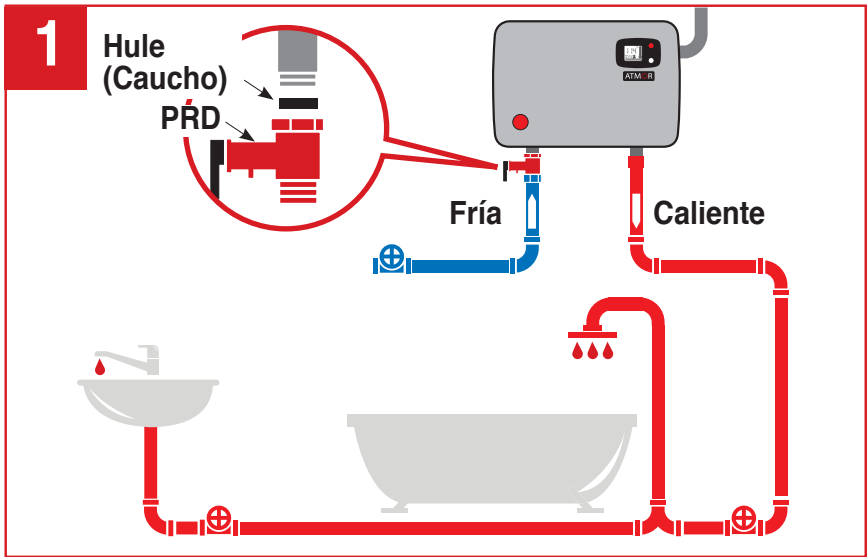
Conecte el tubo de agua entrante a la entrada del calentador (en el lado izquierdo) y conecte el tubo de agua saliente a la salida del calentador (en el lado derecho). Utilice una manguera que pueda soportar una presión de hasta 116 psi (8 bars) (Figura 5).

# 06

Haga fluir agua a través de la unidad durante un (1) minuto y verifique que no haya fugas.

# 07

Asegúrese de apagar la energía eléctrica hacia la unidad mediante los interruptores automáticos dedicados en el panel eléctrico principal. Instale los alambres del cable de suministro de energía eléctrica desde los interruptores automáticos en el panel eléctrico principal hasta el calentador de agua. Conecte el cable de energía eléctrica al bloque de terminales ubicado dentro de la unidad. Verifique que se utilice el tamaño de interruptor automático y calibre de alambre correctos. Verifique que todas las conexiones de alambre estén apretadas y seguras. Verifique que la unidad se conecte a una conexión a tierra de acuerdo con los códigos aplicables. (Figura 6)



**7**



## Instrucciones de ensamblaje

# 08

Reconecte los cables a la tarjeta de circuitos impresos ubicada dentro de la unidad. (Figura 3)

# 09

Coloque la cubierta delantera en la unidad y fíjela nuevamente con 2 tornillos. (Figura 2)

# 10

Antes de encender la energía eléctrica hacia el calentador de agua, abra varios grifos de agua caliente y deje fluir el agua a través de la unidad durante varios minutos para hacer salir cualquier cantidad de aire fuera del calentador y la tubería de agua.

**Este paso se debe realizar antes de encender la energía eléctrica hacia el calentador. El hecho de no realizar este paso podría resultar en daño permanente al calentador y los elementos de calentamiento.**

# 11

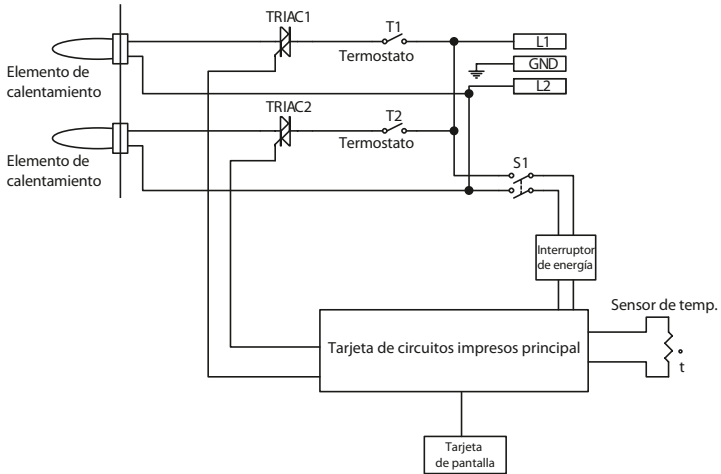
Restablezca la energía eléctrica hacia la unidad mediante los interruptores automáticos dedicados en el panel eléctrico principal.

# 12

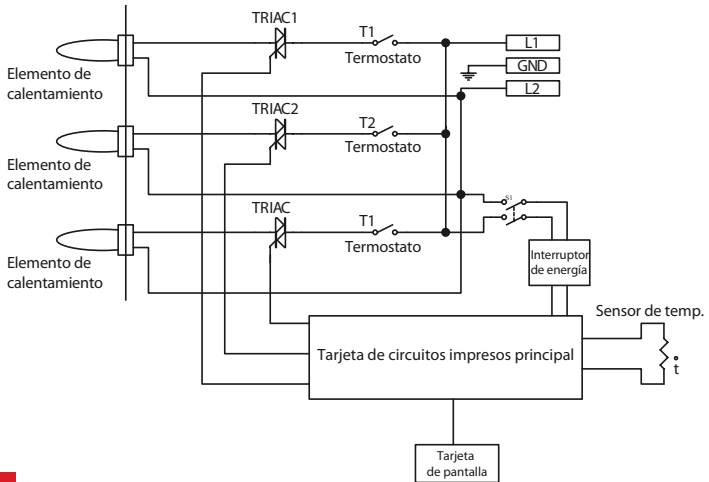
No instale el calentador donde este pudiera exponerse a la luz directa del sol y temperaturas de congelación.

# Diagrama eléctrico

2 fases, 10.5 kW, 240 V



21 fase, 14 kW, 240 V



## Puesta en funcionamiento del sistema por primera vez

# 01

Presione el interruptor de Encendido/Apagado (C) para activar el calentador.

# 02

Con el agua fluyendo a través de la unidad, ajuste la temperatura utilizando los botones Arriba y Abajo. (B) El ajuste de temperatura recomendado es 48°C (118°F).

# 03

El calentador de agua ahora está listo para funcionamiento.

### Ajuste de la temperatura del agua de salida

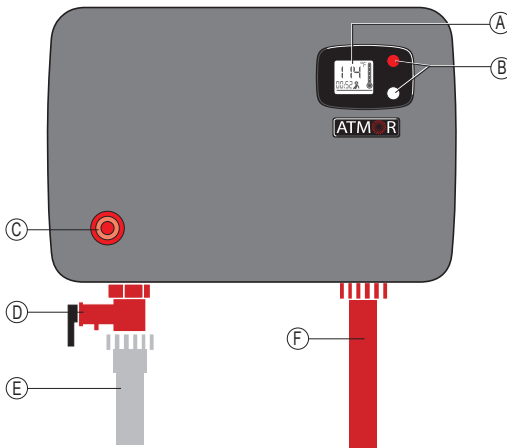
Para ajustar la temperatura, primero abra un grifo de agua caliente y permita que el agua fluya a través del calentador.

La pantalla digital se ilumina y muestra el ajuste de temperatura actual.

Para aumentar o disminuir el ajuste de temperatura, presione el botón ARRIBA o ABAJO.

La temperatura se puede ajustar a un nivel desde 30°C hasta 57°C (90°F hasta 135°F).

No se recomienda un ajuste de temperatura más alto, ya que este puede causar lesiones graves por quemadura a niños y personas de edad avanzada. Las temperaturas más altas también producen más acumulación de incrustaciones en los dispositivos de calentamiento de agua.



- A Pantalla digital indicadora de la temperatura
- B Botones Arriba/Abajo de ajuste de la temperatura
- C Interruptor de Encendido/Apagado (On/Off)
- D Dispositivo de alivio de presión (PRD)
- E Entrada de agua fría
- F Salida de agua caliente (para conectar al tubo de agua caliente principal)

# Guía de manejo

## Instrucciones de uso para el propietario

Este calentador de agua eléctrico está diseñado como un producto “allí donde se necesita” para suministrar agua caliente a los tipos de salidas. A diferencia de un calentador de agua convencional de almacenamiento en tanque, esta unidad es un calentador de agua sin tanque que no almacena agua caliente. Sin embargo, una vez que usted comience a utilizar el sistema, usted se dará cuenta que éste funciona de manera muy similar a un sistema de tanque convencional.

Los sistemas sin tanque suministran agua caliente de manera instantánea según necesidad. Ya que un sistema sin tanque no desperdicia energía calentando continuamente agua que está almacenada ociosamente y perdiendo calor en un tanque de almacenamiento, este sistema proporciona mayor eficiencia energética que un sistema convencional.

Con su nuevo sistema, tan pronto como usted abre el grifo de agua caliente, se detecta la necesidad de agua caliente y se activan los elementos calentadores de alta potencia. Los sensores monitorean continuamente el caudal de agua y la temperatura entrante y saliente, y transmiten datos al controlador del sistema, el cual determina la cantidad exacta de energía requerida por los elementos de calentamiento para alcanzar la temperatura establecida.

Es importante recordar que todos los calentadores de agua sin tanque están sujetos a un caudal máximo. Si se excede este caudal, el calentador no podrá calentar completamente el agua.

También tenga en cuenta que los calentadores de tanque convencionales se ajustan a temperaturas altas para evitar que se les agote rápidamente el agua caliente, y por lo tanto se debe mezclar una gran cantidad de agua fría, para que el agua llegue a una temperatura cómoda para bañarse y ducharse. Dado que esta unidad calienta agua según necesidad, esta unidad está diseñada para calentar agua a una temperatura más baja. Esto significa que usted sólo debe mezclar una pequeña cantidad de agua fría, o nada en absoluto.

Su suministro de agua caliente también se podría afectar por la temperatura del agua entrante. Durante el invierno, si la temperatura del agua entrante es muy fría, es posible que usted no pueda abrir múltiples salidas de agua caliente al mismo tiempo. Sin embargo, usted puede abrir duchas (regaderas) de manera consecutiva sin tener que esperar que el agua se caliente.

# Guía de manejo

## Temperaturas de congelación

Si la temperatura ambiente cae por debajo de 0°C (32°F), proteja el calentador contra posible daño. Apague la energía eléctrica hacia la unidad mediante el interruptor automático dedicado en el panel eléctrico principal. Abra levemente un grifo para que el agua fluya continuamente a través del dispositivo a una velocidad muy baja, sin calentamiento. Restablezca la energía eléctrica hacia la unidad cuando las condiciones de temperatura lo permitan.

Si el agua dentro del calentador se congela, esto puede causar daños que no están cubiertos por la garantía. Si usted sospecha que el agua se ha congelado dentro de la unidad, no la encienda hasta que esté seguro que el agua congelada se ha derretido y que no hay fugas en la unidad. Se recomienda comunicarse con un electricista calificado o con Servicio al Cliente en esta situación.

## Fuga detectada

Si usted detecta una fuga de agua del calentador de agua: Cierre el suministro de agua utilizando la válvula de cierre del tubo de suministro de agua entrante de la unidad, apague el calentador, y comuníquese con Servicio al Cliente.

# Cuidado y mantenimiento

Se recomiendan inspecciones y pruebas periódicas para la unidad una vez cada 6 a 12 meses, dependiendo de la alcalinidad de su agua.

Recuerde que el agua calentada a temperaturas más altas produce la acumulación de incrustaciones mucho más rápido que a temperaturas más bajas.

Limpie el filtro cada 6 meses o más frecuentemente, dependiendo de la alcalinidad de su agua.

Las conexiones eléctricas deben ser probadas una vez al año por un técnico calificado.

Las conexiones de tubería de agua del calentador de agua se deben inspeccionar una vez al año como mínimo en busca de indicios de daño o falla. Si el suministro de agua tiene un nivel de mineralización alto (agua con alta concentración de minerales), el calentador de agua se debe inspeccionar y remover las incrustaciones (escamas) con mayor frecuencia.

Como resultado de actividades de mantenimiento o de una suspensión del suministro de agua, podría ingresar aire al sistema de tubería de agua. En dichas circunstancias, siga los siguientes pasos para garantizar que la unidad pueda reanudar la operación de manera segura.

## Cuidado y mantenimiento

### Parada y reactivación del sistema después de servicio de mantenimiento, suspensión del agua, u otras interrupciones del funcionamiento

**01**

Presione el interruptor de energía a la posición "OFF" (Apagado).

**02**

Apague toda la energía eléctrica hacia la unidad mediante el interruptor automático en el panel eléctrico principal.

**03**

Realice las tareas de mantenimiento o servicio.

**04**

Abra uno o más grifos de agua caliente y deje fluir el agua a través de la unidad durante varios minutos para hacer salir cualquier cantidad de aire fuera del calentador y la tubería de agua.

**05**

Reconecte la energía eléctrica hacia la unidad mediante el interruptor automático en el panel eléctrico principal.

Presione el interruptor de energía a la posición "ON" (Encendido).

**06**

Con el agua fluyendo a través de la unidad, revise y reajuste la temperatura si es necesario.

El ajuste de temperatura recomendado es 48°C (118°F).

# Solución de problemas

Antes de llamar para solicitar servicio técnico, consulte la lista de solución de problemas comunes. Si usted no puede resolver el problema, comuníquese con su Servicio al Cliente.

PROBLEMA	POSIBLE CAUSA	"ENCHUFAR Y LISTO"
El agua no está suficientemente caliente.	El caudal de agua excede la capacidad de calentamiento del calentador.  El ajuste de la temperatura es demasiado bajo.  La presión de agua es inferior a 7 psi (0.5 bars)  Falla eléctrica.	Reduzca el caudal de agua en el grifo o cierre levemente la válvula de cierre en el tubo de suministro de agua entrante de la unidad para reducir el caudal de agua.  Aumente el ajuste de temperatura en la unidad.  Verifique que la válvula de cierre esté totalmente abierta y que el tubo de suministro de agua no esté obstruido.  Comuníquese con un electricista calificado o su distribuidor autorizado local para obtener servicio.
El agua está demasiado caliente.	La velocidad de flujo (caudal) del agua, a través del calentador, es demasiado lenta.  El ajuste de la temperatura es demasiado alto.	Aumente el caudal en la salida de agua.  Cambie a un ajuste de temperatura más bajo.
El calentador se apaga durante el uso.	Interrupción de la energía eléctrica o cableado defectuoso.	Revise la fuente de energía eléctrica. Revise el interruptor automático (breaker).  Si el problema persiste, comuníquese con un electricista calificado o con el fabricante.
El agua deja de fluir.	Obstrucción en los tubos o mangueras de agua.  No hay suministro de agua.	Verifique que la válvula del tubo de agua principal está completamente abierta y que no hay obstrucciones en el tubo de suministro de agua.
La temperatura del agua varía de caliente a fría durante el uso.	La presión del agua ha disminuido por debajo del nivel mínimo.	Aumente el caudal procedente de la fuente de suministro de agua.
No sale agua caliente aunque la válvula de cierre, en el tubo de suministro de agua entrante de la unidad, esté totalmente abierta.	Interrupción de la energía eléctrica o cableado defectuoso.  No se ha alcanzado el caudal necesario para activar el elemento de calentamiento (0.5 gpm).	Revise la fuente de energía eléctrica. Revise el interruptor automático (breaker).  Aumente el caudal procedente de la fuente de suministro de agua.  Limpie la malla del filtro en la entrada de agua de la unidad.

**Si usted tiene un problema y necesita ayuda adicional, por favor llame al: 1-888-783-6082**

## GARANTÍA LIMITADA

Las condiciones de esta garantía sólo están sujetas al propietario original y no son transferibles en ningún momento. La transferencia de propiedad resultará en la terminación inmediata de esta garantía. Esta garantía es válida sólo si el producto se compra a un distribuidor autorizado.

Atmor garantiza al propietario original que nuestros calentadores de agua instantáneos estarán libres de defectos de manufactura y material durante un período de DOS AÑOS a partir de la fecha de compra, y libres de fugas durante un período de SIETE AÑOS a partir de la fecha de compra. En caso que alguna pieza(s) resulte estar defectuosa durante este período, Atmor sólo será responsable del reemplazo de la(s) pieza(s) defectuosa(s). Atmor no es responsable de los cobros de mano de obra o de cualquier gasto secundario o consiguiente. La responsabilidad de Atmor se limita al costo del producto o USD\$1.000, lo que sea menor. Atmor no es una empresa aseguradora y el propietario original debería comprar un seguro para cubrir los daños a la propiedad o las pertenencias. El propietario original acepta abandonar su derecho a proceso judicial ante jurado o a participar en una demanda judicial colectiva. Además, el propietario original acepta renunciar al sometimiento hasta el punto donde una pérdida está cubierta por un seguro, de modo que su empresa aseguradora no puede realizar un proceso judicial contra Atmor para la recuperación de cualquier reclamación. Además, todas las reclamaciones deben ser arbitradas en el estado de Nueva Jersey.

Si el propietario desea devolver el calentador de agua para reparación, el propietario primero debe obtener una autorización escrita de parte de Atmor. Se requerirá que el propietario muestre la fecha del comprobante de compra y que pague todos los gastos de transporte para devolver la(s) pieza(s) o el calentador de agua defectuosos para reparación o reemplazo. La garantía se anula si: (a) el calentador de agua ha sido instalado o utilizado inapropiadamente; (b) el diseño ha sido alterado de cualquier manera; (c) el calentador de agua ha sido instalado y/o recibido mantenimiento por alguien que no sea un electricista con licencia; o (d) si el calentador de agua ha sido instalado o utilizado en contradicción con las instrucciones de instalación, las leyes aplicables y/o decretos.

Una versión completa y completa de esta garantía está disponible por Internet, [www.atmorusa.com](http://www.atmorusa.com), o a petición de un representante de Atmor.

Distribuido por:

**PARAGON GROUP USA LLC**

Englewood, NJ 07631

EE. UU.

Teléfono: 1-888-783-6082

Email: [info@paragongroupusa.com](mailto:info@paragongroupusa.com)

Web: [www.atmorusa.com](http://www.atmorusa.com)



¡Primero llámenos y permita que nuestro grupo de servicio le ayude!

### **NO DEVOLVER A LA TIENDA**

¿Tiene preguntas acerca de su unidad o necesita servicio?

Por favor llame al:  
1-888-783-6082

o envíe correo electrónico a:  
[info@paragongroupusa.com](mailto:info@paragongroupusa.com)

Nuestro personal está listo para brindarle ayuda.  
Lunes a viernes, 9AM a 5PM, Hora Estándar del Este