

RB12J8896S4

12 cu. ft. Euro Chef Refrigerator

Features

- 12 cu. ft. Capacity
- Fridge in Freezer
- Chef Mode™
- Chef Zone
- Precise Chef Cooling
- Twin Cooling Plus®
- Metal Cooling Plate
- True No-Frost Technology
- Convertible Fridge to Freezer
- LED Top Lighting
- Ice Blue Handle Lighting
- Power Freeze and Power Cool Options
- Chef Pan
- Adjustable Door Bins
- Full Open Box Freezer Drawers

Convenience

- Door Alarm
- Vegetable Bin
- Wine Rack
- Reversible Door
- Recessed Door Handle

Meets DOE standards:
427 kWh/yr



Chef Zone



Chef Pan

Available Color



Stainless Steel

Signature Features

CHEF MODE™

- Sets the right temperature to store different foods by preserving each type of food at exact chef-recommended temperatures for ultimate freshness.

CHEF ZONE

- Keeps meat and fish market-fresh by preserving food at the optimal temperature, which chefs consider vital for maintaining the best flavor and texture.

CHEF PAN

- Prep, store and cook all in one pan; this hygienic stainless steel tray can be used to prepare, store and cook food, and then go straight into the dishwasher.

SAMSUNG

RB12J8896S4

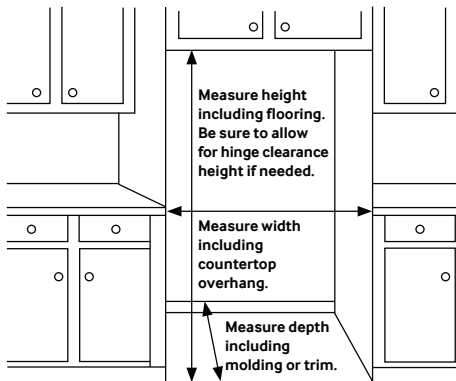
12 cu. ft. Euro Chef Refrigerator

Installing Your Refrigerator

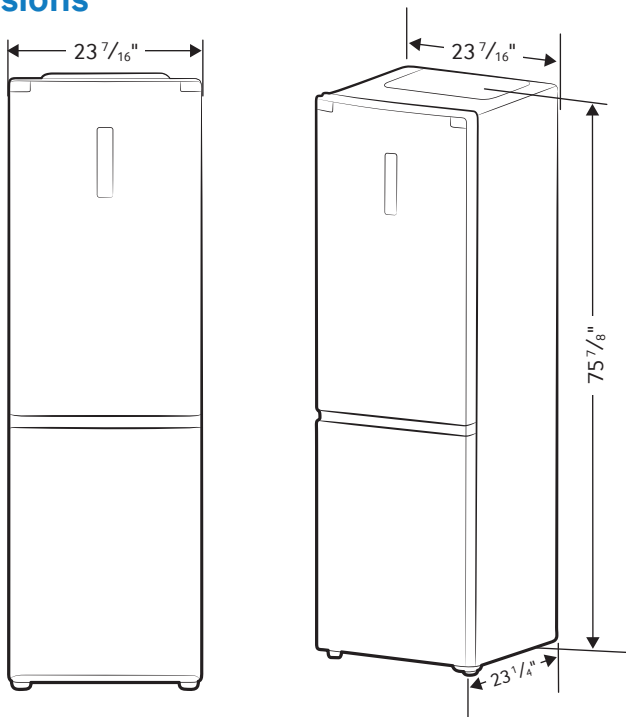
1. Measure the height, width and depth of the opening, making sure to include baseboards, molding tile, countertop overhang, etc. Check to be sure there is enough room to open the door (consider walls, islands or other obstacles when measuring).
2. Refer to illustration below to determine dimensions.
3. Allow 2.5" of clearance on hinge side of refrigerator when installing next to a wall where handle may make contact.
4. Allow 1" minimum clearance at rear for proper air circulation and water/electrical connections. Allow a 3/8" minimum clearance at sides and top for ease of installation.
5. Ensure each door and entryway in the home is wide enough for the refrigerator to be moved through easily.

For optimal usage and to be able to open refrigerator doors completely, do not install next to a wall.

Please note: The following dimension and cutout information is for planning purposes only. For complete installation details, consult manual packed with product, or download manual online at samsung.com.



Dimensions



Total Capacity: 12 cu. ft.

Refrigerator: 7.9 cu. ft.

- 3 Tempered Glass Shelves
- 6 Clear Door Bins
 - 1 Dairy Bin
 - 5 Regular Bins
- 1 Crisper Bin
- 1 Chef Zone Bin
- 1 Chef Pan
- Wine Rack
- 1 Egg Container
- LED Top Lighting

Fridge in Freezer: 4.3 cu. ft.

- 3 Clear Full Open Box Drawers

Warranty

One (1) Year Parts and Labor on Refrigerator

Five (5) Years Parts and Labor on Sealed Refrigeration System Only*

Ten (10) Years Parts and Five (5) Years Labor on Digital Inverter Compressor

*Compressor, evaporator, condenser, drier, connecting tubing

Product Dimensions & Weight

Dimensions (WxHxD with hinges, handles and doors):

$23\frac{7}{16}$ " x $75\frac{7}{8}$ " x $23\frac{1}{4}$ "

Dimensions (WxHxD without hinges and door):

$23\frac{7}{16}$ " x $75\frac{7}{8}$ " x $21\frac{1}{16}$ "

Weight: 154.3 lbs.

Shipping Dimensions & Weight (WxHxD)

Dimensions: $25\frac{1}{8}$ " x $78\frac{3}{4}$ " x $27\frac{1}{16}$ "

Weight: 165.3 lbs.

Color	Model #	UPC Code
Stainless Steel	RB12J8896S4	887276071756

SAMSUNG

Actual color may vary. Design, specifications, and color availability are subject to change without notice. Non-metric weights and measurements are approximate.

©2016 Samsung Electronics America, Inc. 85 Challenger Road, Ridgefield Park, NJ 07660. Tel: 800-SAMSUNG. samsung.com. Samsung is a registered trademark of Samsung Electronics Co., Ltd.