

Two-Door Auto Defrost Refrigerator

Le Manuel de Deux Portes Dégivrent le Réfrigérateur

El Manual de Dos Puertas Descongela el Refrigeradore



User Manual (Features may vary by model)
Model # HRF08WND, HRF10WND, HRF12WND

Guide de l'Utilisateur (Les caractéristiques Peuvent Varier par le Modèle)
Modèle # HRF08WND, HRF10WND, HRF12WND

Manual del Usuario (Las características Pueden Variar por el Modelo)
Para Modelo de # HRF08WND, HRF10WND, HRF12WND

SAFETY PRECAUTIONS

Read all of the instructions before using this appliance. When using this appliance, always exercise basic safety precautions, including the following:

- 1) Use this appliance only for its intended purpose as described in this use and care guide.
- 2) This refrigerator must be properly installed in accordance with the installation instructions before it is used. See grounding instructions in the installation section.
- 3) Never unplug your refrigerator by pulling on the power cord. Always grasp the plug firmly and pull straight out from the outlet.
- 4) Repair or replace immediately, all electric service cords that have become frayed or otherwise damaged. Do not use a cord that shows cracks or abrasion damage along its length, the plug or the connector end.
- 5) Unplug your refrigerator before cleaning or before making any repairs.
Note: If for any reason this product requires service, we strongly recommend that a certified technician performs the service.
- 6) Do not use any electrical device or any sharp instrument in defrosting your refrigerator.
- 7) If your old refrigerator is not being used, we recommend that you remove the doors and leave the shelves in place. This will reduce the possibility of danger to children.
- 8) After your refrigerator is in operation, do not touch the cold surfaces in the freezer compartment, particularly when hands are damp or wet. Skin may adhere to these extremely cold surfaces.
- 9) Do not refreeze foods which have been thawed completely. The United States Department of Agriculture in Home and Garden Bulletin No. 69 reads: "...You may safely refreeze frozen foods that have thawed if they still contain ice crystals or if they are still cold-below 40°F".

"...Thawed ground meats, poultry, or fish that have any off-odor or off-color should not be refrozen and should not be eaten. Thawed ice cream should be discarded. If the odor or color of any food is poor or questionable, discard it. The food may be dangerous to eat."

"...Even partial thawing and re-freezing reduce the eating quality of foods, particularly fruits, vegetables, and prepared foods. The eating quality of red meats is affected less than that of many other foods. Use refrozen foods as soon as possible, to save as much of its eating quality as you can."

- 10) This refrigerator should not be recessed or built-in in an enclosed cabinet. It is designed for freestanding installation only.
- 11) Do not operate your refrigerator in the presence of explosive fumes.

SAVE THESE INSTRUCTIONS for future use

DANGER

**Risk of child entrapment. Before you throw away your old refrigerator or freezer, take off the doors. Leave the shelves in place so that children may not easily climb inside.
As per UL 250 Standards**

Thank you for using our Haier product. This easy-to-use manual will guide you in getting the best use of your refrigerator.

Remember to record the model and serial number. They are on a label in back of the refrigerator.

Model number

Serial number

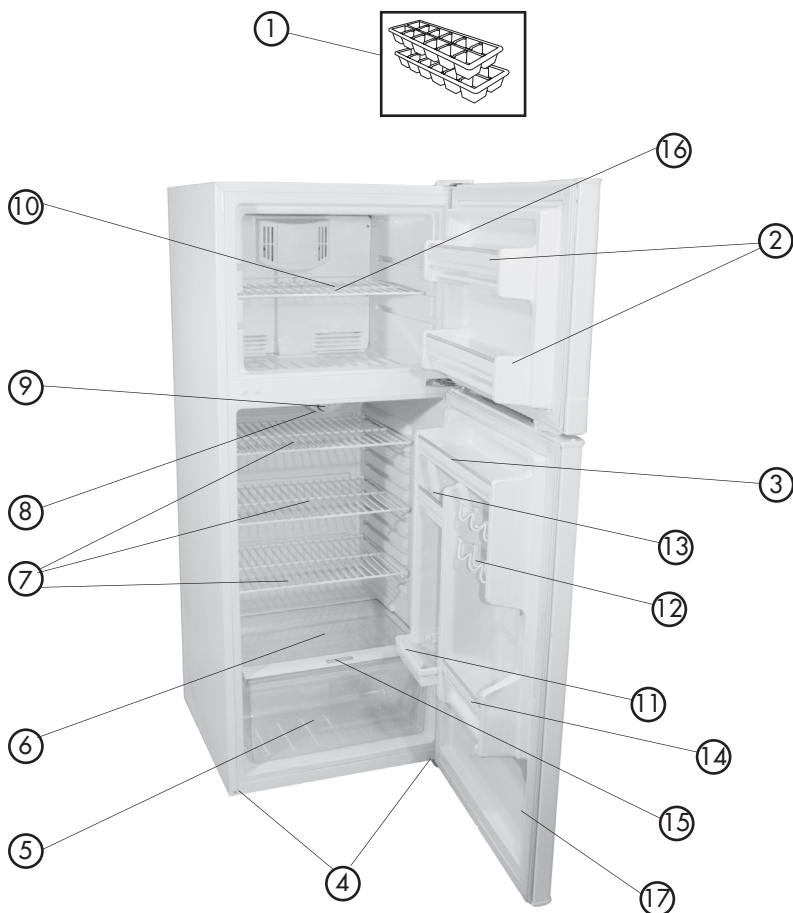
Date of purchase

Staple your receipt to your manual. **You will need it to obtain warranty service.**

Table Of Contents

	PAGE
Safety Precautions	1
Parts And Features	4
Installing Your Refrigerator	5
Unpacking Your Refrigerator	5
Adjusting Your Refrigerator	5
Proper Air Circulation	5
Electrical Requirements	6
Door Alignment	7
Reversing the Door Swing	8
Refrigerator Features And Use	10
General Features	10
Refrigerator Interior Shelves	10
Crisper and Crisper Cover	11
Food Storage Information	12
Normal Operating Sounds	13
Proper Refrigerator Care and Cleaning	14
Cleaning and Maintenance	14
Light Bulb Replacement	15
Power Interruptions	15
Vacation and Moving Care	15
Troubleshooting	16
Warranty Information	18

Parts And Features



(Features may vary per model)

- | | |
|--|---|
| 1. Ice Cube Trays | 10. Freezer Shelf |
| 2. Full-Width Freezer Door Shelves | 11. Gallon Storage Compartment |
| 3. Full-Width Door Shelf | 12. "Dispense-A-Can"™ Storage |
| 4. Adjustable Front Leveling Legs
(not shown) | 13. 1/2 Width Shelf Storage
Compartment |
| 5. Clear Crisper | 14. Half-Width Shelf, 2 Liter Bottle
Storage Compartment |
| 6. Clear Glass Crisper Cover | 15. Crisper Humidity Control |
| 7. Adjustable Full-Width Wire Shelves | 16. Air Flow Control |
| 8. Adjustable Mechanical
Temperature Control | 17. Condiments Storage Shelf
(on HRF12 only) |
| 9. Automatic Interior Light | |

Installing Your Refrigerator

Unpacking Your Refrigerator

1. Remove all packaging material. This includes the foam base and all adhesive tape holding the refrigerator accessories inside an outside. Slide out and remove plastic or foam guard used to secure the compressor from shipping damage due to vibration and shock.
2. Inspect and remove any remains of packing, tape or printed materials before powering on the refrigerator.

Adjusting Your Refrigerator

Leveling Your Refrigerator:

- Your refrigerator has two leveling legs which are located in the front corners of your refrigerator. After properly placing your refrigerator in its final position, you can level your refrigerator.
- Leveling legs can be adjusted by turning them clockwise to raise your refrigerator or by turning them counterclockwise to lower your refrigerator. The refrigerator door will close easier when the leveling legs are raised.

Proper Air Circulation

- To ensure that your refrigerator works at the maximum efficiency it was designed for, you should install it in a location where there is proper air circulation, plumbing and electrical connections.
- The following are recommended clearances around the refrigerator:

Sides.....	3/4 " (19mm)
Top.....	1 " (25mm)
Back.....	1 " (25mm)

Electrical Requirement

- Make sure there is a suitable power outlet (115 volts, 15 amps outlet) with proper grounding to power the refrigerator.
- Avoid the use of three-plug adapters or cutting off the third grounding in order to accommodate a two-plug outlet. This is a dangerous practice since it provides no effective grounding for the refrigerator and may result in shock hazard.

Installation Limitations

- Do not install your refrigerator in any location not properly insulated or heated, e.g. garage etc. Your refrigerator was not designed to operate in temperature settings below 55° Fahrenheit.
- Select a suitable location for the refrigerator on a hard, even surface away from direct sunlight or heat source, e.g. radiators, baseboard heaters, cooking appliances etc. Any floor unevenness should be corrected with the leveling legs located on the front bottom corners of the refrigerator.

Door Alignment

Freezer Door: (see fig. # 1)

1. Remove hinge cover screw.
2. Remove the top hinge cover.
3. Loosen the top hinge screws using a Phillips head screwdriver.
4. Adjust the door or put a spacer in between and then tighten the screws.
5. Replace the top hinge cover.

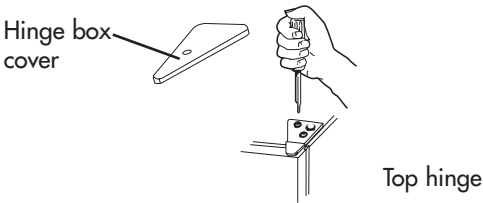


fig. # 1

Refrigerator Door: (see fig. # 2)

1. Loosen and remove the bottom hinge using a Phillips head screwdriver.
2. Adjust the door, or put a spacer in between and then tighten the screws.

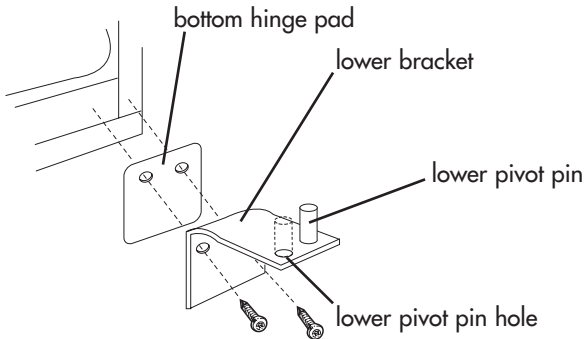


fig. # 2

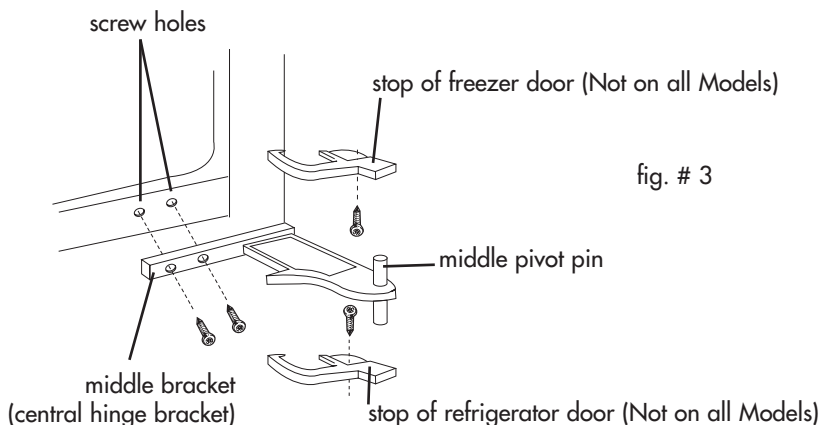
Reversing the Door Swing

Left/right door opening method:

This product allows you to reverse the door opening from left to right and back. You can select your preference of door opening by following the procedure to make the change.

Dismantling: (see fig. # 1 and fig. # 3)

1. Affix refrigerator and freezer door by sticking adhesive tape on both sides to hold doors in place.
2. As shown in fig. 1, dismantle the hinge box cover on the upper part of freezer door with a Phillips head screwdriver. Then remove the three screws from the hinge. Take out the hinge by pulling it vertically, and keep it in a safe place.
3. Remove the adhesive tape on freezer door, lift and take the door down, and carefully put it aside.
4. Dismantle two screws of the central hinge, lift and take down the central hinge, and keep them in a safe place. (see fig # 3)
5. Remove the adhesive tape on refrigerator door, lift and take down refrigerator door, and carefully put it aside.
6. Remove the door stoppers from the freezer and refrigerator doors and install them on the opposite side of the door. (Not on all Models)



Reinstallation: (see fig. # 4 and fig. # 5)

1. Remove the lower pivot pin from the bracket of the lower hinge by turning counter clockwise. Move the pin to the opposite hole and tighten.
2. Loosen the screws holding the lower hinge bracket and remove the hinge.

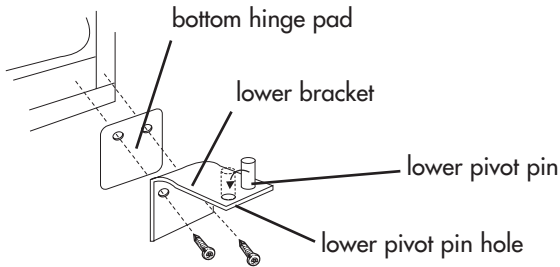


fig. # 4

3. Align the holes in the lower hinge bracket to the corresponding holes in the opposite side of the cabinet. Insert and tighten the screws.
4. To install refrigerator door: make the left bottom hole of the refrigerator compartment door fall over the lower hinge axle, move door forward to make it straight and in alignment with central hinge. Install the central hinge again, turn the hinge axle until it completely enters the door body, then fix it with screws.

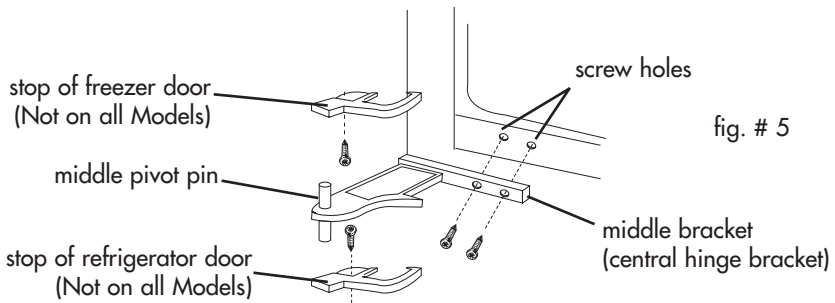


fig. # 5

5. To install freezer door: make the left bottom hole of freezer door fall over the central hinge axle; raise upper hinge, so that hinge axle can be installed in the upper hole of the upper part of the freezer door; adjust door to make it straight and level.
6. As shown in Fig. 1, install the upper freezer hinge to the left corresponding position. (tighten the screws of upper hinge)
7. Replace the hinge cover as shown in Fig. 1.

Refrigerator Features And Use

General Features

Adjustable temperature dial:

Your refrigerator will automatically maintain the temperature level you select. The temperature control dial has 7 settings plus off. 1 is the warmest. 7 is the coldest. Turning the dial to OFF stops cooling in both the refrigeration and freezer sections. At first, set the dial to 4 and allow 24 hours to pass before adjusting the temperature to your needs.

To adjust the temperature range in the cold setting, turn the temperature dial in a clockwise direction. For normal operating conditions, keep the dial halfway between cold and coldest. For your convenience, the factory presets the control at normal operating conditions.

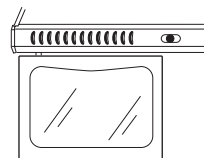
(Note: If the refrigerator has been placed in a horizontal or tilted position for any period of time wait 24 hours before plugging the unit in.)

Refrigerator Section Interior Light:

Your refrigerator is equipped with an automatic interior light in the fresh food section for you to easily locate your food.

Your freezer compartment is equipped with adjustable airflow control. For your convenience, airflow is preset by the factory to the normal setting. There is also an option to adjust the settings, either to low freezer or to high freeze.

Your refrigerator may be equipped with slide control to raise or lower the humidity levels or your crispers. This feature will increase the storage life of your fruits and vegetables. Simply adjust the controls to the appropriate setting for setting for items you are storing in the crispers. Low settings allow moist air to exit the crisper, for optimum storage of fruit and/or vegetables that have skins. High settings retains moist air in the crisper, for optimum storage of fresh vegetables.



Refrigerator Interior Shelves

(Shelves May vary by Model)

The refrigerator shelves of your refrigerator were designed with you in mind. Their varied adjustability allows you to satisfy your personal storage needs.

To remove or adjust a full-width slide-out shelf: (see fig. # 6)

1. Gently tilt the shelf up and slide forward until the shelf has been completely removed.
2. To replace the shelf, select the desired setting and gently slide the shelf back until it rests in the locking position.

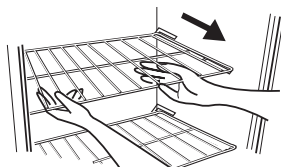


fig. # 6

Crisper and Crisper Cover

To remove and install the crisper: (see fig. # 7)

1. Grip the crisper firmly and slide out completely.
2. Replace the crisper by placing the crisper properly in position and gently sliding it back into place.

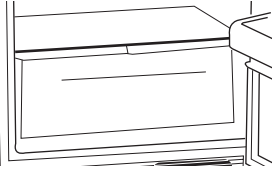


fig. # 7

Removing or replacing the crisper cover: (see fig. # 8)

1. Carefully grasp the crisper cover and slide out to remove.

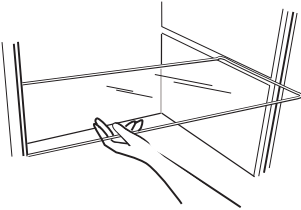


fig. # 8

2. To replace, slide the rear of the crisper cover into the right and left slots above the crisper area and gently slide back into place.

Food Storage Information

Fresh Food

- When storing fresh food that is not prepackaged, be sure to wrap or store food in airtight and moisture-proof material unless otherwise noted. This will ensure proper shelf life and prevent the transfer of odors and tastes.
- Wipe containers before storing to avoid needless spills.
- Eggs should be stored in an upright position in their original carton to maximize shelf life.
- Fruit should be washed and dried, then stored in sealed plastic bags before storing in the refrigerator.
- Vegetables with skins should be stored in plastic bags or containers.
- Leafy vegetables should be washed and dried, then stored in plastic bags or containers.
- Hot food should be allowed to cool before storing in the refrigerator. This will prevent unnecessary energy use.
- Fresh seafood should be used the same day as purchased.
- When storing meats in the fresh food section, keep in the original packaging or rewrap as necessary. Follow the suggestions below for safe storage:
 - Chicken 1-2 Days
 - Ground Beef 1-2 Days
 - Cold Cuts 3-5 Days
 - Steaks/Roasts 3-5 Days
 - Smoked/Cured Meats 7-10 Days
 - All others 1-2 Days

If longer periods of storage are required, store immediately in the freezer section.

Frozen Food

- Proper freezer storage requires correct packaging. All foods must be in packages that do not allow the flow of air or moisture in or out. Improper storage will result in odor and taste transfer and will result in the drying out of the improperly packaged food.
- Follow package or container instructions for proper storage.
- **Packaging Recommendations:**
 - Plastic containers with air tight lids
 - Heavy duty aluminum foil
 - Plastic wrap made from saran film
 - Self-sealing plastic bags
- Do not refreeze defrosted/thawed foods.
- It is recommended that the freezing date be marked on the packaging.

Normal Operating Sounds You May Hear

- The fan circulating air inside the interior of your unit to maintain the temperature you have selected.
- Boiling water, gurgling sounds or slight vibrations that are the result of the refrigerant circulating through the cooling coils.
- The thermostat control will click when it cycles on and off.

Proper Refrigerator Care and Cleaning

Cleaning and Maintenance

Warning: To avoid electric shock always unplug your refrigerator before cleaning. Ignoring this warning may result in death or injury.

Caution: Before using cleaning products, always read and follow manufacturer's instructions and warnings to avoid personal injury or product damage.

General:

- Prepare a cleaning solution of 3-4 tablespoons of baking soda mixed with warm water. Use sponge or soft cloth, dampened with the cleaning solution, to wipe down your refrigerator.
- Rinse with clean warm water and dry with a soft cloth.
- Do not use harsh chemicals, abrasives, ammonia, chlorine bleach, concentrated detergents, solvents or metal scouring pads. Some of these chemicals may dissolve, damage and/or discolor your refrigerator.

Door Gaskets:

- Clean door gaskets every three months according to general instructions. Gaskets must be kept clean and pliable to ensure a proper seal.
- Petroleum jelly applied lightly on the hinge side of gaskets will keep the gasket pliable and ensure a good seal.

Refrigerators: HRF08WNDWW/HRF10WNDWW/HRF12WNDWW

We recommend that you clean the rear of the refrigerator at least twice a year. Some operating environments may require more frequent cleaning.

- Slowly pull the refrigerator straight out away from the wall.
 - Note:** Do not move the refrigerator sideways as this may cause damage to the floor covering of your refrigerator.
- Unplug the refrigerator.
- Use a vacuum or a brush to clean coils.
- When cleaning has been completed, plug the cord back into the outlet and slide the refrigerator straight back to its original position.
 - Note:** When pushing it back, be sure not to roll over the power cord.

Light Bulb Replacement

1. Switch off power to refrigerator.
2. Remove the highest shelf.
3. Allow light bulb to cool before removing.
4. Pinch the plastic cover between fingers and thumb and gently pull to the left.
5. Remove the bulb by screwing it counter-clockwise.
6. Always replace with appliance-type light bulb rated at 15 watts or lesser wattage.
7. Do not exceed the 15 watts rating at any time.
8. To replace cover, insert rear clips in first and gently push front clip in until the cover snaps into place.

Power Interruptions

- Occasionally there may be power interruptions due to thunderstorms or other causes. Remove the power cord from AC outlet when a power outage occurs. When power has been restored, replug power cord to AC outlet. If outage is for a prolonged period, inspect and discard spoiled or thawed food in freezer and refrigerator. Clean refrigerator before reusing.

Vacation and Moving Care

- For long vacations or absences, empty food from refrigerator and freezer, move the temperature to the OFF position and clean the refrigerator and door gaskets according to "General cleaning" section. Prop doors open, so air can circulate inside. When moving always move the refrigerator vertically. Do not move with the unit lying down. Possible damage to the sealed system could occur.

Troubleshooting

Refrigerator Does Not Operate

- Check if thermostat control is not in the "OFF" position.
- Check if refrigerator is plugged in.
- Check if there is power at the AC outlet, by checking the circuit breaker.

Food temperature appears too warm

- Frequent door openings.
- Allow time for recently added warm food to reach fresh food or freezer temperature.
- Check gaskets for proper seal.
- Adjust temperature control to colder setting.

Food temperature is too cold

- If temperature control setting is too cold, adjust to a warmer setting and allow several hours for temperature to adjust.

Refrigerator runs too frequently

- This may be normal to maintain constant temperature during high temperature and humid days.
- Doors may have been opened frequently or for an extended period of time.
- Check gasket for proper seal.
- Check to see if doors are completely closed.

Moisture build-up on interior or exterior of the refrigerator:

- This is normal during high humidity periods.
- Prolonged or frequent door openings.
- Check door gaskets for proper seal.

Refrigerator has an odor:

- Interior needs cleaning.
- Foods improperly wrapped or sealed are giving off odors.

Refrigerator light does not work:

- Check power supply.
- Tighten bulb in socket.
- Replace burned-out bulb.

Refrigerator/Freezer door does not shut properly:

- Level the refrigerator.
- Realign refrigerator/freezer door.
- Check for blockages e.g. food containers, crisper cover, shelves, bins etc.

Limited Warranty

What is covered and for how long?

This warranty covers all defects in workmanship or materials for a period of:

12 months labor (In-Home Service)

12 months parts

5 years sealed system

The warranty commences on the date the item was purchased and the original purchase receipt must be presented to the authorized service center before warranty repairs are rendered.

EXCEPTIONS: Commercial or Rental Use warranty

90 days labor (carry-in only)

90 days parts

No other warranty applies

What is covered.

1. The mechanical and electrical parts, which serve as a functional, purpose of this appliance for a period of 12 months. This includes all parts except finish, and trim.
2. The components of the sealed system e.g. hermetic compressor, condenser and evaporator from manufacturing defects for a period of 5 years from the date of purchase. Any damages to such components caused by mechanical abuse or improper handling or shipping will not be covered.

What will be done?

1. We will repair or replace, at our discretion any mechanical or electrical part which proves to be defective in normal usage during the warranty period so specified.
2. There will be no charge to the purchaser for parts and labor on any covered items during the initial 12 month period. Beyond this period only parts are covered in the remaining warranty. Labor is not provided and must be paid by the customer.

3. Contact your nearest authorized service center. For the name of the nearest service center please call 1-877-337-3639.

THIS WARRANTY COVERS APPLIANCES WITHIN THE CONTINENTAL UNITED STATES, PUERTO RICO AND CANADA. IT DOES NOT COVER THE FOLLOWING:

Damages from improper installation.

Damages in shipping.

Defects other than manufacturing.

Damage from misuse, abuse, accident, alteration, lack of proper care and maintenance or incorrect current or voltage.

Damage from other than household use.

Damage from service by other than an authorized dealer or service center.

Decorative trims or replaceable light bulbs.

Transportation and shipping.

Labor (after the initial 12 months).

THIS LIMITED WARRANTY IS GIVEN IN LIEU OF ALL OTHER WARRANTIES, EXPRESSED OR, INCLUDING THE WARRANTIES OF MERCHANTABILITY AND FITNESS FOR A PARTICULAR PURPOSE

The remedy provided in this warranty is exclusive and is granted in lieu of all other remedies.

This warranty does not cover incidental or consequential damages, so the above limitations may not apply to you. Some States do not allow limitations on how long an implied warranty lasts, so the above limitations may not apply to you.

This warranty gives you specific legal rights, and you may have other rights, which vary, from state to state.

Haier America
New York, NY 10018

MESURES DE SECURITE

Lire l'ensemble des instructions avant d'utiliser l'appareil. Lors de l'utilisation de cet appareil, prendre toutes les mesures de sécurité de base, y compris les suivantes:

- 1) N'utiliser cet appareil que pour l'usage pour lequel il est prévu, tel qu'il est indiqué dans le guide d'utilisation et d'entretien.
- 2) Ce réfrigérateur doit être correctement installé conformément aux instructions d'installation avant d'être utilisé. Consulter les instructions de mise à la terre du chapitre Installation.
- 3) Ne jamais tirer sur le cordon d'alimentation pour débrancher le réfrigérateur. Toujours saisir fermement la fiche et la retirer complètement de la prise.
- 4) Réparer ou remplacer immédiatement tout cordon électrique effiloché ou endommagé d'une quelconque manière. Ne pas utiliser un cordon fissuré, abrasé ou dont la prise ou le connecteur est endommagé.
- 5) Débrancher le réfrigérateur avant de le nettoyer ou d'effectuer des réparations. **Remarque:** Si ce produit doit faire l'objet d'une maintenance pour quelque raison que ce soit, il est vivement recommandé de confier cette tâche à un technicien agréé.
- 6) Ne pas utiliser d'appareils électriques ou d'objets pointus pour dégivrer le réfrigérateur.
- 7) Si vous n'avez plus l'usage de votre ancien réfrigérateur, nous vous conseillons d'en retirer les portes et laissons les étagères dans leur emplacement approprié. Ceci permet d'éviter tout danger potentiel pour les enfants.
- 8) Une fois le réfrigérateur en fonctionnement, ne pas toucher les surfaces froides du compartiment de congélation, en particulier avec des mains mouillées ou humides. La peau risquerait d'adhérer à ces surfaces extrêmement froides.
- 9) Ne pas recongeler les aliments qui ont été complètement décongelés. Le bulletin Maisons et Jardins du Ministère de l'Agriculture des États-Unis n° 69 stipule que: « ...Les aliments congelés peuvent être recongelés en toute sécurité s'ils contiennent toujours des cristaux de glace ou si leur température reste inférieure à 4,5°C".
" ...Les viandes hachées, la volaille et le poisson présentant une odeur désagréable ou une couleur suspecte ne doivent ni être recongelés, ni être consommés. La crème glacée dégelée doit être jetée. Tout aliment présentant une odeur ou couleur douteuse doit être jeté. L'ingestion d'un aliment de ce type peut s'avérer dangereuse."

“ ...La décongélation ou la recongélation, même partielle, fait diminuer les qualités gustatives des aliments, en particulier des fruits, légumes et plats préparés. La qualité gustative des viandes rouges est affectée à un bien moindre degré que celle de nombreux autres aliments. Utiliser les aliments recongelés dès que possible, afin de conserver la majeure partie de leurs qualités gustatives. ”

- 10) Ce réfrigérateur ne doit être ni encastré, ni enclos dans un placard. Il a été conçu pour être installé tel qu'il se présente.
- 11) Ne pas faire marcher le congélateur en présence de fumées pouvant entraîner une explosion.

VEUILLEZ CONSERVER CES INSTRUCTIONS pour utilisation ultérieure

DANGER

Les enfants pourraient se retrouver coincés dans votre réfrigérateur ou congélateur usagé avant que vous ne puissiez vous en débarrasser. Retirer les portes. Laisser les étagères en place de manière à ce que les enfants ne puissent pas grimper facilement à l'intérieur".
Conseils des normes I,UL 250 Normes

Nous vous remercions d'avoir choisi ce produit Haier. Ce guide d'utilisation facile d'emploi permet une utilisation optimum du réfrigérateur.

Ne pas oublier de prendre note du numéro de modèle et de série. Ils sont inscrits sur une plaquette apposée sur l'arrière du réfrigérateur.

Numéro de modèle

Numero de série

Date d'achat

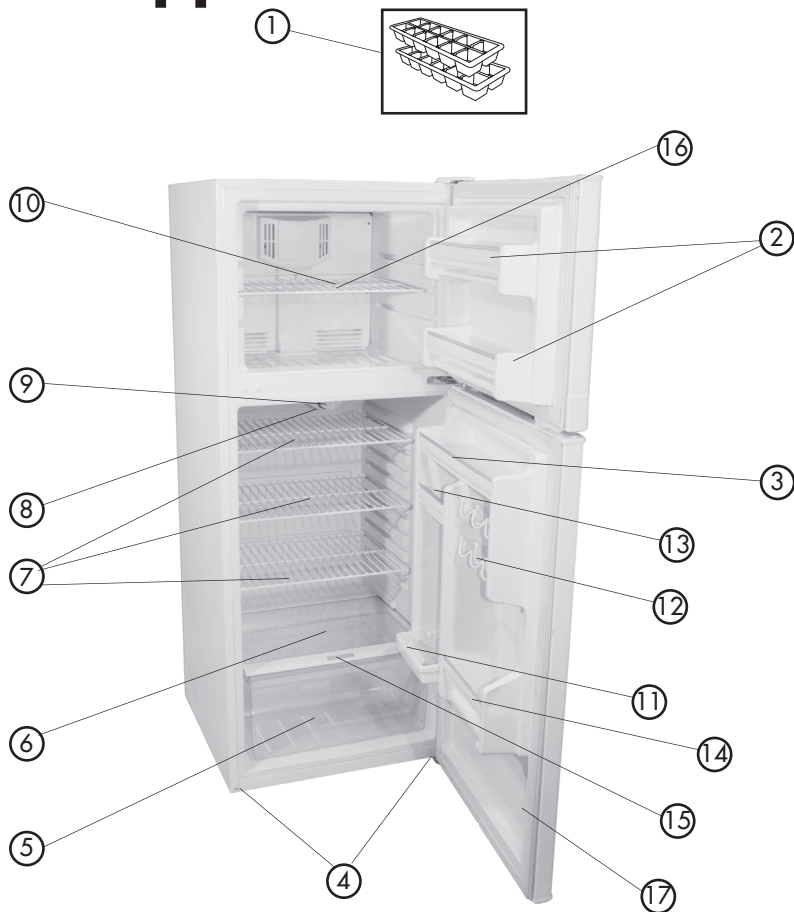
Agrafez le ticket de caisse au guide. **Il devra être présenté pour tout service après-vente sous garantie.**

Sommaire

PAGE

Mesures de sécurité	1
Pièces et Caractéristiques de l'Appareil	4
Caractéristiques et Utilisation du Réfrigérateur	10
Caractéristiques Générales	10
Etagères Intérieures du Réfrigérateur.	10
Bac à Légumes et Couverture du Bac	11
Informations concernant le Stockage des Aliments	12
Témoins Habituels de Bon Fonctionnement	13
Installation du Réfrigérateur	5
Déballage du Réfrigérateur	5
Réglage du Réfrigérateur	5
Circulation d'Air Adéquate	5
Caractéristiques Electriques.....	6
Alignement de la Porte	7
Inverser l'ouverture de la Porte.....	8
Entretien et Nettoyage Adéquats du Réfrigérateur	14
Nettoyage et Entretien	14
Changement d'Ampoule	15
Pannes d'Alimentation	15
Vacances et Déménagement.....	15
Dépannage	16
Garantie	18

Pièces et Caractéristiques de l'Appareil



- | | |
|--|--|
| 1. Bacs a glace | 10. Etagere du congelateur |
| 2. Etageres integrales de la porte du congelateur. | 11. Compartiment d'emmagasination des gallons |
| 3. Etagere integrale du congelateur | 12. Emmagasination des cannettes |
| 4. Pieds de mise a niveau réglables (pas montres) | 13. Etagere mi-integrale du compartiment d'emmagasination |
| 5. Bac a legumes transparent | 14. Etagere mi-integrale du compartiment d'emmagasination des bouteilles de 2 litres |
| 6. Couverture transparent du bac a legumes | 15. Controle de l'humidite du bac a legumes |
| 7. Etageres integrales en cable metallique réglables | 16. Controle du courant d'air |
| 8. Commande de temperature mecanique réglable | 17. Etagere d'emmagasination de condiment (sur le model HRF12 seulement) |
| 9. Lumiere interieure automatique | |

Installation du Réfrigérateur

Désemballage du Réfrigérateur

1. Retirer l'ensemble du matériel d'emballage. Ceci comprend la base en mousse ainsi que l'ensemble du matériel adhésif qui maintient les accessoires du réfrigérateur à l'intérieur tout comme à l'extérieur. Faire glisser et retirer la protection plastique ou en mousse servant à préserver le compresseur de tout dommage causé par les vibrations.
2. Inspecter et enlever tout restant d'emballage, de scotch ou de matériaux imprimés avant de brancher le réfrigérateur.

Réglage du Réfrigérateur

Mise à Niveau du Réfrigérateur:

- Le réfrigérateur possède deux pieds de mise à niveau qui sont situés sur les coins avant du réfrigérateur. Après avoir convenablement installé le réfrigérateur à la place qu'il occupera, procéder à la mise à niveau.
- Pour régler les pieds de mise à niveau, les tourner dans le sens des aiguilles d'une montre afin de surélever le réfrigérateur et dans le sens inverse des aiguilles d'une montre pour l'abaisser. La porte du réfrigérateur se ferme plus facilement lorsque les pieds de mise à niveau sont surélevés.

Circulation d'Air Adéquate

- Pour être sûr que le réfrigérateur fonctionne à son maximum d'efficacité, l'installer dans un environnement favorable à une bonne circulation d'air et possédant des connexions de plomberie et d'électricité saines.
- Les indications suivantes concernent l'espace recommandé autour du réfrigérateur:

Latéralement.....	19mm (3/4")
Partie supérieure.....	50mm (2")
Arrière.....	50 mm (2")

Caractéristiques Electriques

- Pour l'alimentation du réfrigérateur, veiller à utiliser une prise de courant convenable (prise de 115 volts, 15 amp) raccordée à la terre.
- Eviter d'utiliser des adaptateurs à trois fiches ou de sectionner la troisième fiche reliée à la terre dans le but d'utiliser un branchement à deux fiches. Cette pratique pourrait s'avérer dangereuse dans la mesure où le réfrigérateur n'est pas relié convenablement à la terre, et risquerait de causer des risques d'électrocution.

Limitations relatives à l'Installation

- Ne pas installer le réfrigérateur dans un endroit qui n'est pas convenablement isolé ou chauffé ; comme par exemple un garage, etc. Le réfrigérateur n'est pas conçu pour fonctionner à des températures inférieures à 12°C.
- Choisir un endroit convenable et placer le réfrigérateur sur une surface solide et plane, loin de sources de chaleur telles que: les radiateurs, les éléments chauffants à plinthes, les cuisinières, etc. Toute irrégularité au sol doit être corrigée à l'aide des pieds de mise à niveau situés sur les coins avant de la partie inférieure du réfrigérateur.

Alignement de la porte

La Porte du Congélateur: (voir fig. # 1)

1. Retirer la vis de protection de la charnière.
2. Retirer ensuite la protection de la charnière supérieure.
3. Desserrer les vis de la charnière supérieure à l'aide d'un tournevis cruciforme.
4. Régler la porte ou placer une cale puis serrer les vis.
5. Replacer la protection de la charnière supérieure.

couverture de la
boîte charnière

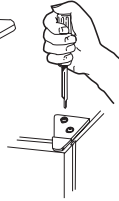


fig. # 1

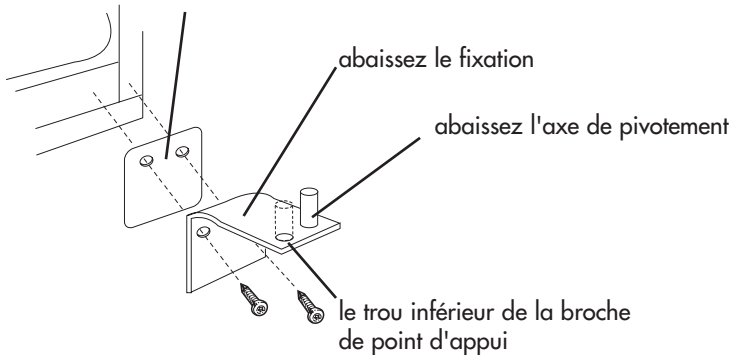
charnière du haut.

La Porte du Réfrigérateur: (voir fig. # 2)

1. Desserrer et retirez les vis de la charnière inférieure à l'aide d'un tournevis cruciforme.
2. Régler la porte ou placer une cale puis serrer les vis.

Coussinet de la
charnière inférieure

fig. # 2



Inverser l'ouverture de la Porte

Méthode d'ouverture de la Porte sur la gauche ou la droite:

Ce produit permet de faire passer l'ouverture de la porte de la gauche vers la droite. Vous pouvez choisir le côté d'ouverture de la porte en suivant la procédure d'inversion.

Désassemblage: (voir fig. # 1 et fig. # 3)

1. Fixer la porte du réfrigérateur et du congélateur à l'aide de papier adhésif encollé des deux côtés afin de maintenir la porte en place.
2. Comme il est décrit au schéma 1, désassembler la couverture de la boîte à charnières située sur la partie supérieure de la porte du congélateur à l'aide d'un tournevis cruciforme. Retirer ensuite les vis de la charnière. Retirer la charnière en la tirant à la verticale, puis la placer dans un endroit sûr.
3. Retirer le papier adhésif de la porte du réfrigérateur, soulever puis retirer la porte; la poser avec précaution.
4. Démantelez deux vis de la charnière centrale, soulevez et prenez vers le bas la charnière et la garniture centrales, et maintenez-les dans un endroit sûr. (voir fig # 3)
5. Retirez le ruban adhésif sur la porte de réfrigérateur, soulevez et prenez vers le bas la porte de réfrigérateur, et mettez-soigneusement la de côté.
6. Retirez les taquets de porte des portes de congélateur et de réfrigérateur et installez-les du côté opposé de la porte.

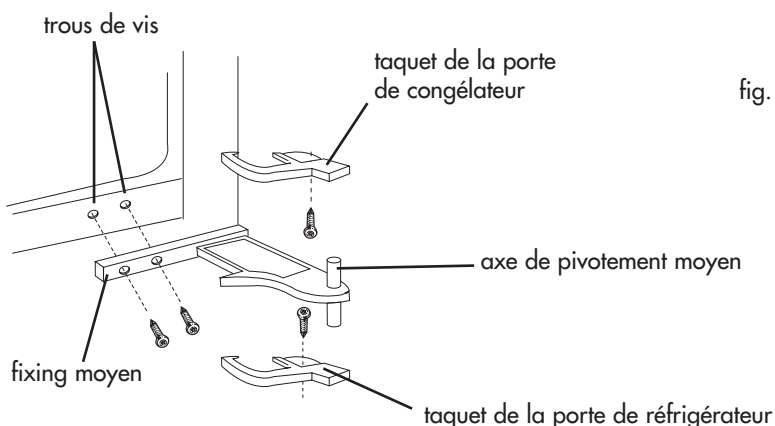


fig. # 3

Réinstallation: (voir fig. # 4 et # 5)

1. Retirez le trou inférieur de la broche de point d'appui de la porte en tournant dans le sens contraire à celui des aiguilles d'une montre. Placez la broche dans le trou de l'autre côté et serrez.
2. Desserrez les vis retenant le support de la charnière inférieure et retirez la charnière.

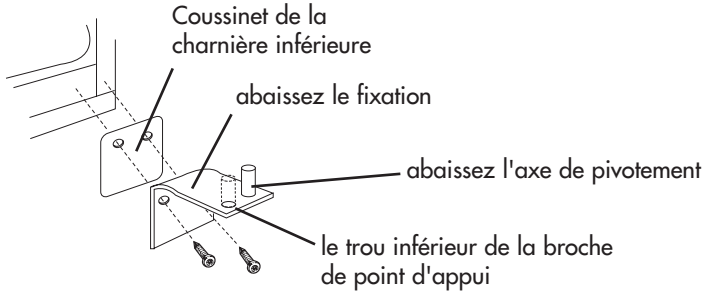


fig. # 4

3. Alignez les trous du support de la charnière inférieure sur les trous correspondant l'autre côté. Introduisez les vis et serrez-les.
4. Installer la poignée du réfrigérateur: faire en sorte que le trou de gauche situé sur la partie inférieure de la porte du compartiment de réfrigération se retrouve sur l'essieu de la charnière inférieure; faire bouger la porte de l'arrière vers l'avant de manière à ce qu'elle soit droite et alignée sur la charnière supérieure. Installer à nouveau la charnière centrale puis tourner l'essieu de la charnière jusqu'à ce qu'il entre complètement dans la porte; le fixer ensuite à l'aide de vis.

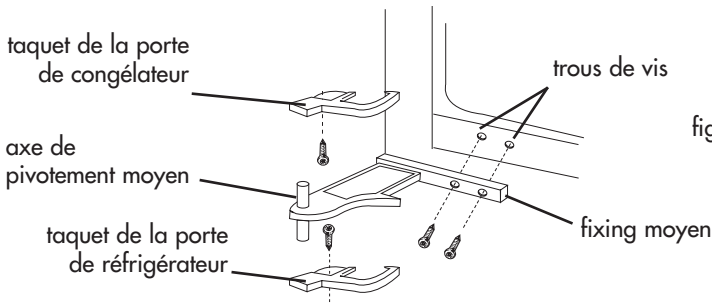


fig. # 5

5. Pour installer la porte de congélateur: faites le trou de bas gauche de la porte de congélateur tomber au-dessus de l'axe central de charnière; soulevez la charnière supérieure, de sorte que l'axe de charnière puisse être installé dans le trou supérieur de la partie supérieure de la porte de congélateur; ajustez la porte pour la rendre droite et de niveau.
6. Comme il est décrit au schéma 1, installez la charnière supérieure de congélateur dans la position correspondante gauche (serrez les vis de la charnière supérieure)
7. Remettre la protection de la charnière à sa place en onction du schéma 1.

Caractéristiques et Utilisation du Réfrigérateur

Caractéristiques générales

Commande de température réglable:

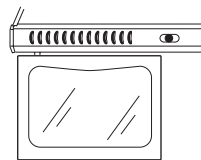
Votre réfrigérateur maintient automatiquement le niveau de température programme. Le cadran de contrôle de température comporte 7 positions, plus une position d'arrêt. La position "1" est la plus chaude et "7" la plus froide. Quand vous tournez la position sur "OFF" arrêt, le réfrigérateur et le congélateur cessent de refroidir. Au début, mettez le cadran sur la position "4", attendez 24 heures avant de régler la température sur la position désirée. Si vous désirez une température froide, tournez le cadran dans le sens des aiguilles d'une montre. Pour une opération normale, gardez le cadran entre "froid" et "plus froid". Pour votre commodité, la fabrique règle en avance le contrôle de température sur une condition d'opération normale

(Note: Si le réfrigérateur a été placé horizontalement ou a été incliné, attendez 24 heures avant de le brancher.

Lumière intérieure de la section réfrigérante:

Votre réfrigérateur est équipé d'une lumière intérieure automatique située dans la section des aliments frais pour repérer facilement votre nourriture.

Le compartiment de votre congélateur est équipé d'un contrôle réglable du courant d'air. Pour votre commodité, l'air courant est réglé en avance par la fabrique sur un arrangement normal. Il y a aussi un choix pour ajuster les arrangements, sur une basse congélation, ou une haute congélation. Votre réfrigérateur est équipé d'un contrôle pour relever ou abaisser les niveaux d'humidité de votre bac à légumes. Cette caractéristique augmentera la durée d'emmagasinement de vos fruits et légumes. Simplement ajustez le contrôle sur l'arrangement approprié pour les produits que vous emmagasinez dans le bac à légumes. L'arrangement bas, permettra l'air humide de sortir du bac à légumes pour l'emmagasinement optimum des fruits et légumes qui ont une épluchure. Un arrangement haut retient l'air humide dans le bac à légumes pour un emmagasinement optimum des légumes frais.



Étagères Intérieures du Réfrigérateur

(Les Étagères peuvent varier par le Modèle)

Les étagères du réfrigérateur ont été conçues pour vous faciliter la vie. Elles sont réglables afin de s'adapter à vos besoins. Les possibilités ne sont limitées que par le type de modèle en votre possession et l'étendue de votre imagination.

Pour retirer ou régler une étagère de largeur intégrale' coulissante: (Voir fig. # 6)

1. Incliner légèrement l'étagère vers le haut puis la faire glisser vers l'avant jusqu'à ce que l'étagère soit complètement retirée.
2. Pour replacer l'étagère, sélectionner la position souhaitée puis la faire glisser avec précaution jusqu'à ce qu'elle se trouve enclenchée.

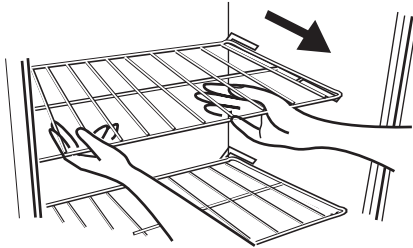


fig. # 6

Bac à Légumes et Couvercle du Bac

Pour retirer et installer le bac à légumes:

(Voir fig. # 7)

1. Agripper fermement le bac puis le retirer complètement en le faisant glisser.
2. Replacer le bac comme il convient, puis le faire glisser vers l'arrière avec précaution.

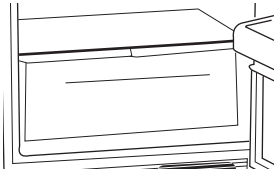


fig. # 7

Pour retirer ou replacer le couvercle du bac:

(Voir fig. # 8)

1. Agripper le bac avec précaution et le sortir en le faisant glisser.

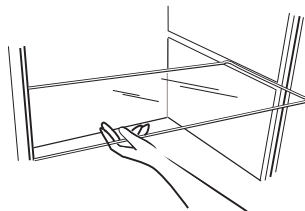


fig. # 8

2. Abaisser la partie avant de l'étagère jusqu'à ce que les crochets situés à l'arrière s'enclenchent dans les encoches des supports d'étagère en métal.

Informations Concernant le Stockage des Aliments

Aliments Frais

- Pour stocker des aliments frais qui ne sont pas préemballés, veiller à bien les envelopper ou les stocker dans un matériel hermétique résistant à l'humidité, excepté dans le cas d'instructions contraires. Ceci permet de conserver les aliments correctement et d'éviter le transfert d'odeurs et de saveurs.
- Avant de stocker des aliments, essuyer les containers afin d'éviter des éclaboussures inutiles.
- Afin de prolonger au maximum la durée de vie des œufs, les stocker en position verticale dans leur emballage d'origine.
- Les fruits doivent être lavés et séchés puis stocker dans un bac à taux à taux d'humidité bas. Si vous ne possédez pas de contrôleur d'humidité, placer les aliments dans des sacs plastiques étanches avant de les stocker dans le bac.
- Les légumes à peau doivent être conservés dans des sacs plastiques ou des containers et stockés dans un bac à taux d'humidité bas.
- Les légumes à feuilles doivent être lavés et essuyer puis stocker dans des sacs plastiques ou des containers et placés dans un bac à taux d'humidité élevé.
- Les aliments chauds doivent d'abord refroidir avant d'être stockés dans le réfrigérateur. Ceci évite de gaspiller de l'énergie inutilement.
- Les fruits de mer frais doivent être utilisés le jour même de l'achat. Pour stocker de la viande dans le compartiment des articles frais, conserver l'emballage d'origine ou ré-emballer si nécessaire.
Suivre les suggestions de stockage présentées ci-dessous.

• Poulet	1 à 2 Jours
• Viande de bœuf hachée	1 à 2 Jours
• Viandes froides	3 à 5 Jours
• Steaks/Rôtis	3 à 5 Jours
• Viandes Fumées/Traitées	7 à 10 Jours
• Autres viandes	1 à 2 Jours

Pour stocker des aliments pendant des périodes de temps plus importantes, les stocker immédiatement dans le compartiment de congélation.

Aliments Congelés

- Le stockage correct des aliments congelés nécessite un emballage adéquat. Tous les aliments doivent être emballés de manière à ne pas laisser pénétrer d'air ou d'humidité. Le mauvais stockage d'aliments entraîne des transferts d'odeurs et de saveurs qui font sécher les aliments mal emballés.
- Suivre les instructions de bonne utilisation indiquées sur le paquet ou le container.
- **Recommandations concernant l'emballage:**
 - Containers en plastique avec couvercles étanches
 - Papier d'aluminium gros travaux
 - Film plastique
 - Sacs plastiques à fermeture étanche
- Ne pas recongeler d'aliments décongelés ou dégelés.
- Il est recommandé d'inscrire la date de congélation sur l'emballage.

Témoins Habituels de Bon Fonctionnement

- Le ventilateur faisant circuler l'air à l'intérieur de l'appareil afin de maintenir la température sélectionnée.
- De l'eau en train de bouillir, des glouglous ou de faibles vibrations proviennent du liquide réfrigérant qui circule à l'intérieur des collecteurs de refroidissement.
- Un dé clic se fait entendre lorsque le programmeur de dégivrage et le thermostat s'allument et s'éteignent.

Entretien e Nettoyage Adéquats du Réfrigérateur

Nettoyage et Entretien

Nettoyage et Entretien

Attention: Pour éviter les risques d'électrocution; toujours débrancher le réfrigérateur avant de le nettoyer. Le non respect de cette mesure peut entraîner des blessures graves ou mortelles.

Précautions: Avant d'avoir recours à des produits d'entretien, toujours consulter et suivre les instructions du fabricant et recommandations afin d'éviter toute blessure éventuelle et risque de dégât de matériel.

Généralités: • Préparer une solution de nettoyage comportant 3 à 4 cuillerées à soupe de bicarbonate de soda mélangé à de l'eau chaude. A l'aide d'une éponge ou un tissu doux humectés de solution de nettoyage; essuyer le réfrigérateur.

- Rincer à l'eau chaude et sécher à l'aide d'un tissu doux.
- Ne pas utiliser de détergents chimiques, abrasifs, ou contenant de l'ammoniaque ou du chlore, ni de solvants ou de tampons à récurer en métal. CERTAINS de ces produits chimiques peuvent dissoudre, endommager et/ou décolorer le réfrigérateur.

Joints de porte: • Nettoyer les joints de porte tous les trois mois en suivant les instructions générales fournies. Les joints doivent rester propres et flexibles afin d'assurer une bonne étanchéité.

- Une fine couche de gelée de pétrole appliquée sur le côté des joints comportant les charnières permet de préserver la flexibilité de ces derniers et d'assurer une bonne étanchéité.

Changement d'Ampoule

1. Débrancher l'alimentation du réfrigérateur.
2. Retirer l'étagère la plus haute.
3. Laisser l'ampoule refroidir avant de la retirer.
4. Pince l'en matière plastique couvre entre doigts et pouce et doucement tire à gauche.
5. Retirer l'ampoule en la dévissant dans le sens inverse des aiguilles d'une montre.
6. Toujours remplacer à l'aide d'une ampoule pour appareil de 40 watts ou d'une puissance en watts inférieure.
7. Ne jamais dépasser 40 watts.
8. Pour substituer la couverture, insérez les clips arrière dedans d'abord et poussez doucement le clip avant dedans jusqu'à ce que la couverture se casse dans l'endroit.

Pannes d'Alimentation

- Des pannes d'alimentation occasionnelles peuvent survenir à cause d'une tempête ou de causes autres. Retirer le cordon d'alimentation de la prise CA pendant toute la durée de la coupure d'alimentation. Lorsque le courant électrique est rétabli, rebrancher le cordon dans la prise CA. Si la coupure d'alimentation se prolonge, vérifier et jeter les aliments avariés ou décongelés se trouvant dans le congélateur et le réfrigérateur. Nettoyer le réfrigérateur avant de le réutiliser.

Vacances et Déménagement

- Pendant les périodes de vacances ou d'absence prolongée, vider le réfrigérateur et le congélateur, placer le CADRAN de température sur la position 'OFF' (arrêt) et nettoyer le réfrigérateur ainsi que les joints de porte en suivant les procédures du chapitre intitulé 'Nettoyage général'. Faire en sorte que la porte reste ouverte de manière à ce que l'air puisse circuler à l'intérieur. Toujours déplacer le réfrigérateur en position verticale. Ne pas déplacer l'appareil en position horizontale. Ceci pourrait endommager le système d'étanchéité.

Dépannage

Le Réfrigérateur ne fonctionne pas:

- Vérifier que le programmeur du thermostat ne se trouve pas sur la position 'OFF' (arrêt).
- Veiller à ce que le réfrigérateur soit bien branché.
- Veiller à ce que la prise de courant CA fonctionne bien en vérifiant le disjoncteur.

La température des aliments semble être trop élevée:

- La porte est ouverte trop fréquemment.
- Patienter le temps nécessaire pour que les aliments chauds récemment mis au frais refroidissent ou congèlent.
- Vérifier l'étanchéité des joints.
- Régler le programmeur de température sur froid.

La température des aliments est trop basse:

- Si le programmeur de température est placé sur une position trop froide, le régler sur une position plus chaude et patienter plusieurs heures, jusqu'à ce que la température se soit ajustée.

Le réfrigérateur se met en marche trop fréquemment:

- Il peut s'agir de l'activité normale pour maintenir une température constante lorsque la température extérieure ou le taux d'humidité dans l'air sont élevés.
- Les portes ont été ouvertes trop fréquemment ou pendant une période de temps prolongée.
- Vérifier l'étanchéité des joints.
- Veiller à ce que les portes soient bien fermées.

Accumulation d'humidité à l'intérieur ou à l'extérieur du réfrigérateur:

- Ceci est normal pendant les périodes de grande chaleur humide.
- Ouvertures de la porte prolongée ou trop fréquente.
- Vérifier l'étanchéité des joints.

L'intérieur du réfrigérateur dégage une odeur:

- Nettoyer l'intérieur du réfrigérateur.
- Les aliments ne sont pas convenablement enveloppés ou les emballages dégagent une odeur.

La lumière du réfrigérateur ne fonctionne pas:

- Vérifier l'alimentation.
- Resserrer l'ampoule dans la douille.
- Remplacer l'ampoule grillée.

La porte du réfrigérateur/congélateur ne ferme pas correctement:

- Mettre le réfrigérateur à niveau.
- Réaligner la porte du réfrigérateur/congélateur.
- Vérifier qu'il n'y ait pas d'obstruction comme par exemple des containers ou les couvercles des bacs, les étagères, paniers, etc.

Garantie Limitée

Éléments sous garantie et durée de la garantie:

Cette garantie couvre tous les défauts de main-d'œuvre et de matériaux pour une période de:

12 mois pour la main d'œuvre

12 mois pour les pièces

5 ans pour le système d'étanchéité

La garantie prend effet le jour de l'achat de l'article. Le ticket de caisse d'origine doit être présenté au centre de réparation agréé pour toute réparation sous garantie.

EXCEPTIONS: Garantie pour usage commercial ou location. 90 jours pour la main d'œuvre (service en atelier uniquement) 90 jours pour les pièces
Aucune autre garantie n'est applicable

Couverture.

1. Les pièces électriques et mécaniques servant au fonctionnement de l'appareil, pour une période de 12 mois. Ceci comprend l'ensemble des pièces, à l'exception de la finition et des garnitures.
2. Les composants du système d'étanchéité, tels que le compresseur hermétique, le condenseur et l'évaporateur, contre tous défauts de fabrication, pour une période de 5 ans à compter de la date d'achat. Tout dommage concernant ces composants et résultant d'un abus d'ordre mécanique, d'une utilisation incorrecte, ou de méthodes d'expédition inadéquates, ne sera pas compris dans la garantie.

Réparations qui seront effectuées:

1. Nous nous engageons à réparer ou remplacer, à notre discrétion, toute pièce électrique ou mécanique s'avérant défectueuse dans des conditions normales d'utilisation, au cours de la période de garantie spécifiée.
2. L'acheteur ne subira aucun frais pour les pièces et la main-d'œuvre couvertes par la garantie, au cours de la première période de 12 mois. Au-delà de cette période, seules es pièces seront couvertes par la durée restante de la garantie. La main-d'œuvre n'est pas pourvue et à la charge du client.

3. Contacter le centre de réparations agréé le plus proche. Pour obtenir les nom et adresse du centre le plus proche, appeler le 1-877-337-3639.

LES APPAREILS SONT COUVERTS PAR LA GARANTIE SUR LE TERRITOIRE CONTINENTAL DES ETATS-UNIS, À PUERTO RICO ET AU CANADA:

Les dommages résultant d'une installation incorrecte. Les dommages survenus pendant le transport. Les défauts ne résultant pas de la fabrication. Les dommages résultant d'un usage incorrect ou abusif, d'un accident, de modifications, d'un manque d'entretien ou de maintenance, ou d'une tension incorrecte. Les dommages résultant d'un usage autre que l'usage ménager. Les dommages résultant d'un entretien ou de réparations par quiconque autre qu'un distributeur ou centre de réparations agréé. Garnitures décoratives ou ampoules pouvant être remplacées. Transport et Frais d'envoi. Main d'œuvre (après la période initiale de 12 mois)

CETTE GARANTIE LIMITÉE REMPLACE TOUTE AUTRE GARANTIE EXPRESSE OU IMPLICITE, Y COMPRIS LES GARANTIES DE VALEUR MARCHANDE OU D'ADÉQUATION A UN USAGE PRECIS

Le recours offert dans cette garantie est exclusif et est accordé à l'exclusion de tout autre.

La garantie ne couvrant pas les dommages directs et indirects, les limitations ci-dessus peuvent ne pas s'appliquer à tous les cas. Certains états ne permettant pas la limitation de la durée des garanties implicites, les limitations ci-dessus peuvent ne pas s'appliquer à tous les cas.

Cette garantie confère à l'acheteur des droits spécifiques et celui-ci peut bénéficier d'autres droits qui varient selon les états.

Haier America
 New York, NY 10018

INSTRUCCIONES PRECAUTORIAS

Lea todas las instrucciones antes de utilizar este aparato. Cuando utilice este aparato, siempre ejerza las precauciones de seguridad básicas, incluyendo las siguientes:

- 1) Utilice este aparato exclusivamente para su uso especificado, según se describe en esta guía de uso y cuidados.
- 2) Este refrigerador debe ser instalado adecuadamente siguiendo las instrucciones de instalación antes de utilizarse. Observe las instrucciones para conectarlo a tierra en la sección de instalación.
- 3) Nunca desconecte su refrigerador tirando del cordón eléctrico. Sujete siempre la clavija firmemente y retírela del contacto evitando torcerla.
- 4) Repare o reemplace inmediatamente cualquier cordón eléctrico que muestre raspaduras o daños. No utilice ningún cordón que muestre señales de abrasión o grietas en su extensión, clavija o terminal de conexión.
- 5) Desconecte su congelador antes de limpiarlo o antes de hacer cualquier reparación. **Nota:** Si por alguna razón este producto necesita ser reparado, recomendamos fuertemente que la reparación se lleve a cabo por un técnico calificado.
- 6) No emplee ningún aparato eléctrico o instrumento punzocortante para descongelar su refrigerador.
- 7) Si su antiguo refrigerador no está siendo utilizado, recomendamos quitarle las puertas y dejar los estantes en su localización original. Esto reducirá los riesgos de accidentes infantiles.
- 8) Una vez que su refrigerador se encuentre operando, no toque las superficies frías en el compartimento del congelador, especialmente si sus manos se encuentran húmedas o mojadas. Su piel puede adherirse a estas superficies extremadamente frías.

- 9) No congele alimentos que hayan sido previamente descongelados en su totalidad. El Departamento de Agricultura de los Estados Unidos, en su Boletín de Casa y Jardín No. 69 indica que: "...Usted puede volver a congelar, sin correr ningún riesgo, aquellos alimentos congelados que hayan sido descongelados y que aún contengan cristales de hielo o que aún se encuentren fríos con una temperatura por debajo de los 4,5°C (40°F)".

"...Carnes molidas, aves, o pescados descongelados que despidan olor extraño o muestren decoloración no deben volver a congelarse y no deben consumirse. El helado descongelado debe desecharse. Si el olor o color de cierto alimento es deficiente o cuestionable, deséchelo. Tal alimento podría resultar peligroso si lo ingiriese."

"...Incluso el descongelar parcialmente y volver a congelar los alimentos disminuye su calidad de consumo, especialmente si se trata de frutas, verduras y alimentos preparados. La calidad de consumo de las carnes rojas es menormente afectada en comparación a la de muchos otros alimentos. Utilice los alimentos que hayan vuelto a congelarse lo más pronto posible para evitar que sufran mayor deterioro en su calidad de consumo."

- 10) Este refrigerador no debe de ser empotrado o colocado dentro de un gabinete de cocina. Ha sido diseñado exclusivamente para ser instalado por separado.
- 11) No opere su congelador en la presencia de gases explosivos.

GUARDE ESTAS INSTRUCCIONES para el uso futuro

PELIGRO

Existe el riesgo de que los niños puedan quedar atrapados dentro. Antes de tirar su refrigerador o congelador, quite las puertas. Deje los anaqueles en su lugar para que los niños no puedan entrar fácilmente en el interior."

De acuerdo a UL 250 Estándares

Gracias por utilizar nuestro producto Haier. Este sencillo manual le orientará con respecto al mejor uso que puede darle a su refrigerador.

Recuerde tomar nota del modelo y número de serie. Ambos se encuentran impresos en una etiqueta en la parte posterior del refrigerador.

Número de Modelo

Número de Serie

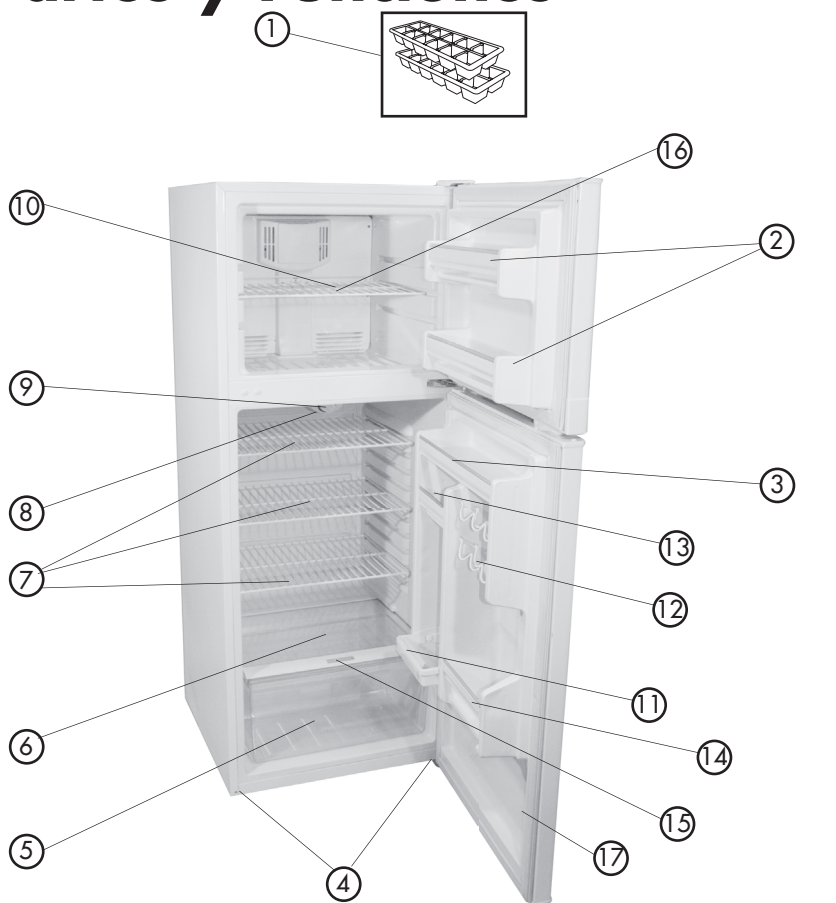
Fecha de Compra

Agrafer le ticket de caisse au guide. **Il devra être présenté pour tout service après-vente sous garantie.**

Índice

	PAGINA
Instrucciones Precautorias	1
Partes y Funciones	5
Instalación de su Refrigerador	6
Desempaquetado de su Refrigerador	6
Ajustamiento de su Refrigerador.....	6
Circulación Adecuada del Aire.....	6
Requerimientos Eléctricos.....	7
Alineación de la Puerta	8
Cómo Invertir las Manijas de la Puerta	9
Uso y Funciones del Refrigerador	11
Funciones Generales	11
Entrepaños Interiores del Refrigerador	11
Cajón para Frutas y Verduras y Cubierta.....	12
Información sobre el Almacenamiento de Alimentos	13
Ruidos de Operación Normales.....	14
Cuidados y Limpieza Adecuada del Refrigerador	15
Limpieza y Mantenimiento.....	15
Reemplazo del Foco	16
Interrupciones de Energía.....	16
Vacaciones y Mudanza	16
Verificación de Problemas	17
Información de la Garantía	19

Partes y Funciones



1. Bandejas para cubos de hielo
2. Estantes de la puerta del ancho completo del congelador
3. Estante de la puerta del ancho completo
4. Patas de nivelación ajustables para la parte delantera (no se muestran)
5. Cajón transparente para verduras y frutas
6. Tapa del cajón para frutas y verduras de vidrio transparente
7. Estantes ajustables de alambre del ancho completo de la unidad
8. Control mecánico para ajuste de temperatura
9. Luz interior automática
10. Estante del congelador
11. Compartimento de almacenamiento de un galón
12. Sistema de almacenamiento de latas "Dispense-A-Can"
13. Compartimento para almacenamiento con estante de la mitad del ancho
14. Estante de la mitad del ancho, compartimento para almacenamiento de botellas de 2 litros
15. Control de humedad para frutas y verduras
16. Control de flujo de aire
17. Estante para almacenamiento de condimentos (únicamente en HRF12)

Instalación de su Refrigerador

Desempaquetado de su Refrigerador

1. Retire todo el material de embalaje. Esto incluye la base de espuma y toda la cinta adhesiva que sostiene los accesorios del refrigerador en el interior y exterior. Deslice y saque la protección de plástico o espuma usada para proteger al compresor de daños durante el envío debido a la vibración y los golpes.
2. Inspeccione y retire cualesquier restos del embalaje, la cinta adhesiva o los materiales impresos antes de encender el refrigerador.

Ajustamiento de su Refrigerador

Nivelación de su Refrigerador:

- Su refrigerador tiene dos patas niveladoras que están ubicadas en las esquinas frontales de su refrigerador. Después de colocar correctamente su refrigerador en la posición definitiva, puede nivelarlo.
- Puede ajustar las patas niveladoras girándolas a la derecha para elevar el refrigerador y girándolas a la izquierda para bajarlo. La puerta del refrigerador cerrará con más facilidad cuando las patas niveladoras se elevan.

Circulación Adecuada del Aire

- Para asegurar que su refrigerador funcione con la eficiencia máxima para la que fue diseñado, éste debe ser instalado en un lugar donde haya una circulación de aire adecuada, conexiones eléctricas y de tubería.
- Estas son las distancias recomendadas que deben dejarse alrededor del refrigerador:
Lados.....19 mm
Parte Superior.....25 mm
Parte Posterior.....25 mm

Requerimientos Eléctricos

- Asegúrese de que haya un tomacorriente apropiado (115 V, 15 A) con una conexión a tierra apropiada para hacer funcionar el refrigerador.
- Evite el uso de adaptadores de tres patas o el cortar la tercer pata de conexión a tierra para poder conectar en un tomacorriente bifásico. Esto sería una práctica muy peligrosa ya que no proveería al refrigerador con una conexión a tierra adecuada y podría resultar un riesgo de descarga eléctrica.

Limitaciones de Instalación

- No instale su refrigerador en ningún lugar que no tenga el aislamiento o la calefacción apropiada, por ejemplo una cochera, etc. Su refrigerador no fue diseñado para funcionar en temperaturas abajo de los 12°Centígrados (55°F).
- Seleccione un lugar adecuado para el refrigerador sobre una superficie sólida y nivelada alejado de los rayos directos del sol o de una fuente de calor como la de los radiadores, rejillas de calefacción, estufas, etc. Cualquier desnivelación del piso debe ser corregido con las patas niveladoras ubicadas en las esquinas inferiores frontales del refrigerador.

Alineación de la Puerta

Puerta del congelador: (vea fig. # 1)

1. Quite la cubierta de los tornillos.
2. Quite la cubierta de la bisagra superior.
3. Afloje los tornillos de la bisagra superior usando un destornillador de punta de cruz.
4. Ajuste la puerta o coloque un espaciador entremedio y luego vuelva a apretar los tornillos.
5. Vuelva a colocar la cubierta de la bisagra superior.

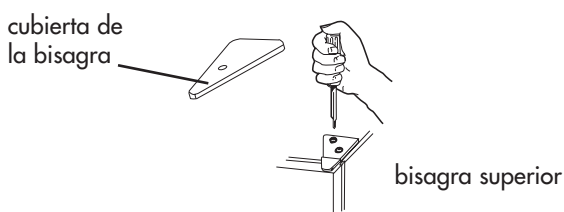


fig. # 1

Puerta del Refrigerador: (vea fig. # 2)

1. Afloje los tornillos de la bisagra inferior usando un destornillador de punta de cruz.
2. Ajuste la puerta o coloque un espaciador entremedio y luego vuelva a apretar los tornillos.

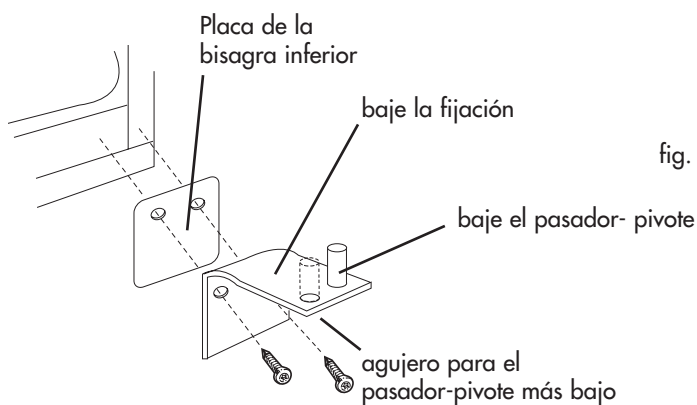


fig. # 2

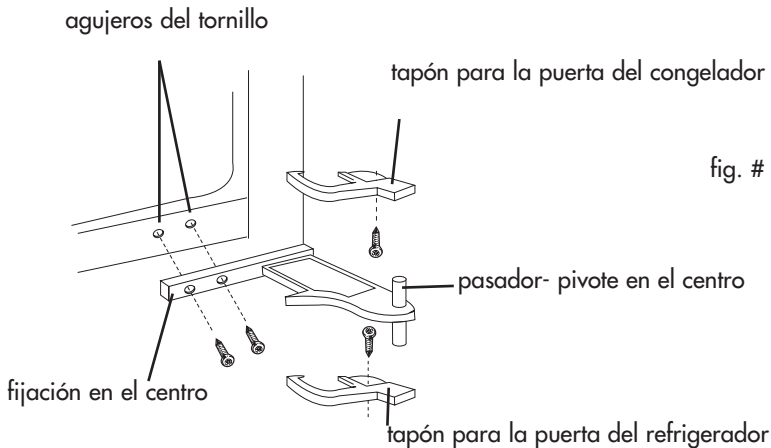
Cómo Invertir las Manijas de la Puerta

Método de apertura de la puerta izquierda/derecha:

Este producto le ofrece la opción de invertir la apertura de la puerta izquierda/derecha. Puede seleccionar su preferencia de apertura de la puerta siguiendo el procedimiento para hacer el cambio.

Desmantelamiento: (Vea fig. # 1 y #3)

1. Fije las puertas del refrigerador y congelador pegando cinta adhesiva en ambos lados para mantener las puertas en su lugar.
2. Como se muestra en la figura 1, desmantele la cubierta de la bisagra en la parte superior de la puerta del congelador con un destornillador de punta de cruz. Después retire los dos tornillos de la bisagra. Saque la bisagra jalándola verticalmente y guárdela en un lugar seguro.
3. Quite la cinta adhesiva de la puerta del congelador, levante y póngala cuidadosamente adentro.
4. Como se muestra en la figura 3, desmonte dos tornillos de la bisagra central, levante y tome abajo la bisagra y la pista centrales, y manténgalas un lugar seguro. (vea fig # 3)
5. Quite la cinta adhesiva en puerta del refrigerador y del congelador, levante y tome abajo la puerta del refrigerador, y póngala cuidadosamente a un lado.



Reinstallation: (see fig. # 4 and fig. # 5)

1. Remueva el inferior para el pasador- pivote del soporte del gozne inferior, girándolo en la dirección opuesta a las manecillas del reloj. Coloque luego el perno en el agujero opuesto y apriételo.
2. Remueva los tornillos que sostienen el soporte del gozne inferior y quite el soporte.
3. Alinee los agujeros del soporte del gozne inferior con los agujeros correspondientes en el costado opuesto del gabinete, para luego insertar y apretar sus tornillos.

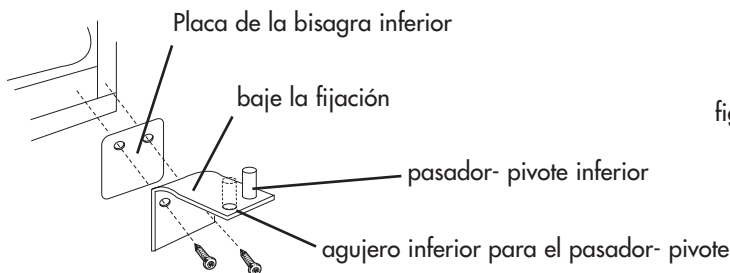


fig. # 4

4. Instale la puerta del refrigerador: haga que el orificio izquierdo de la puerta del compartimento del refrigerador caiga sobre el eje de la bisagra inferior, mueva la puerta hacia atrás y hacia adelante para enderezarla y alinearla con la bisagra central. Instale la bisagra central de nuevo, gire el eje de la bisagra hasta que entre completamente al cuerpo de la puerta, luego fije con los tornillos.
5. Para instalar la puerta del congelador: haga que el agujero del fondo izquierdo de puerta del congelador cae sobre el árbol central de la

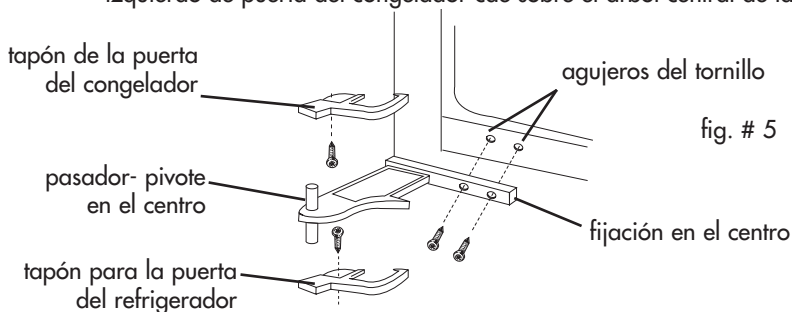


fig. # 5

- bisagra; levante la bisagra superior, para poder instalar el árbol de la bisagra en el agujero superior de la parte superior de la puerta del congelador; ajuste la puerta para hacerla recta y llana.
6. Como se muestra en la figura 1, instale la bisagra superior del congelador a la posición correspondiente izquierda (apriete los tornillos de la bisagra superior).
 7. Vuelva a colocar la cubierta de la bisagra como se muestra en la Figura 1.

Uso y Funciones del Refrigerador

Características generales

Dial para el ajuste de la temperatura:

El refrigerador mantendrá automáticamente el nivel de temperatura que seleccione. El dial de control de temperatura tiene 7 configuraciones además del apagado. 1 es la más cálida. 7 es la más fría. Si se gira el dial a la posición OFF (APAGADO), se detiene el enfriamiento tanto en la sección de refrigerador como de congelador. En un primer momento, configure el dial en 4 y deje pasar 24 horas antes de ajustar la temperatura como lo desee.

Para ajustar el rango de temperatura en la configuración fría, gire el dial de la temperatura hacia la derecha. En condiciones de funcionamiento normales, mantenga el dial en el medio entre la configuración fría y la más fría. Para su comodidad, en fábrica se pre-configura el control según las condiciones funcionamiento normales.

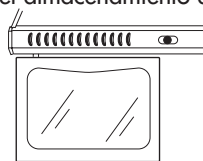
(Nota: Si el refrigerador se ha ubicado en una posición horizontal o inclinada durante cualquier lapso de tiempo, espere 24 horas antes de enchufar la unidad).

Luz interior de la sección del refrigerador

Su refrigerador está equipado con una luz interior automática en la sección de alimentos frescos para que ubique los alimentos con facilidad.

El compartimiento del congelador está equipado con un control ajustable del flujo de aire. Para su comodidad, el flujo de aire se pre-configura de fábrica en la configuración normal. También está la opción de regular las configuraciones, ya sea congelamiento bajo o congelamiento alto.

Su refrigerador puede estar equipado con un control deslizable para subir o bajar los niveles de humedad de sus cajones para frutas y verduras. Esta función aumenta la vida de almacenamiento de frutas y vegetales. Simplemente ajuste los controles en la configuración adecuada para los elementos que está almacenando en los cajones para frutas y verduras. Las configuraciones bajas permiten que el aire húmedo salga del cajón, son óptimas para el almacenamiento de frutas o vegetales que tienen cáscara. Las configuraciones altas retienen el aire húmedo en el cajón, son óptimas para el almacenamiento de vegetales frescos.



Entrepaños Interiores del Refrigerador

(Los estantes pueden variar por el Modelo)

Los entrepaños del refrigerador fueron diseñados pensando en usted. Su variada ajustabilidad le permite satisfacer sus necesidades personales de almacenaje. Su modelo puede incluir entrepaños de alambre, vidrio o vidrio antiderrames. Su modelo puede incluir entrepaños de ancho completo o ancho medio. Solo el tipo de modelo y su imaginación limitan las posibilidades.

Para sacar o ajustar un entrepaño deslizante no voladizo de ancho completo: (vea la figura # 6)

1. Levante ligeramente el entrepaño y deslícelo hacia el frente hasta sacarlo completamente.
2. Para volver a colocar el entrepaño, seleccione la ubicación deseada y deslice cuidadosamente el entrepaño hasta que quede enganchado.

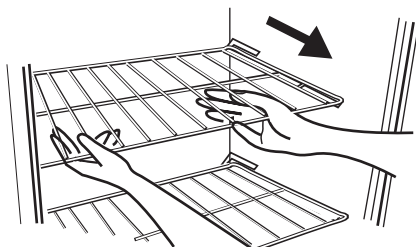


fig. # 6

Cajón para Frutas y Verduras y Cubierta

Para sacar e instalar el cajón para frutas y verduras: (vea fig. # 7)

1. Sujete firmemente el cajón y deslícelo hacia afuera completamente.
2. Vuelva a meter el cajón colocándolo correctamente dentro de las guías y deslizándolo cuidadosamente a su lugar.

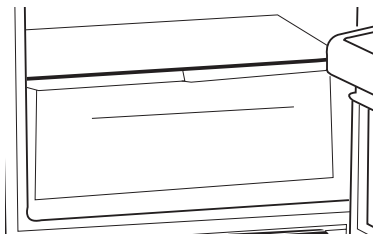


fig. # 7

Para sacar e volver el cajón para frutas y verduras: (vea fig. # 8)

1. Sujete cuidadosamente la cubierta del cajón y deslícela hacia afuera para sacarla.

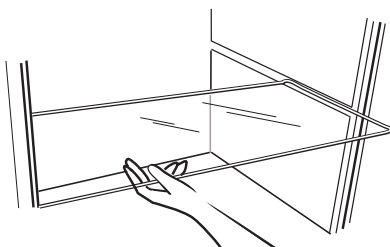


fig. # 8

2. Vuelva a colocar los cajones para frutas y verduras como se indica anteriormente.

Información sobre el Almacenamiento de Alimentos

Alimentos Frescos

- Cuando almacene alimentos frescos que no estén preempacados, asegúrese de envolver o almacenar los alimentos en un material hermético y a prueba de humedad a menos que se indique de otra manera. Esto asegurará la vida útil de los entrepaños y prevendrá la contaminación de olores y sabores.
- Limpie los contenedores antes de almacenarlos para evitar derrames innecesarios.
- Los huevos deben ser almacenados en su caja original para aumentar la vida útil del entrepaño.
- Las frutas deben ser lavadas y secadas y luego almacenadas en el cajón para frutas y verduras en el ajuste de baja humedad para mantener su frescura. Si no tiene cajones con control de humedad, coloque las frutas en bolsas plásticas selladas antes de almacenarlas en el cajón.
- Los vegetales con piel deben ser almacenadas en bolsas o contenedores de plástico y luego ser almacenadas en el cajón para frutas y verduras con un ajuste de baja humedad.
- Los vegetales frondosos deben ser lavados y escurridos y luego almacenados en bolsas o contenedores de plástico en el cajón para frutas y verduras con un ajuste de alta humedad.
- Debe esperar a que los alimentos calientes se enfríen antes de almacenarlos en el refrigerador. Esto prevendrá el uso innecesario de energía.
- Los mariscos frescos deben ser usados el mismo día que se compran.
- Cuando almacene carnes en la sección de alimentos frescos, manténgala en el paquete original o vuélvala a empacar conforme sea necesario. Siga las sugerencias de abajo para un almacenamiento seguro:

• Pollo	1-2 Días
• Carne Molida de Res	1-2 Días
• Carnes Frías	3-5 Días
• Bistecs/Asados	3-5 Días
• Carnes Ahumadas/Curadas	7-10 Días
• Todas las demás	1-2 Días

Si se requieren periodos de almacenamiento más largos, almacénelas inmediatamente en la sección del congelador.

Alimentos Congelados

- Un almacenamiento adecuado en el congelador requiere un embalaje correcto. Todos los alimentos deben estar en paquetes que no permitan el flujo de aire o la humedad interior o exterior. Un almacenamiento incorrecto resultará en la contaminación de olores y sabores y hará que los alimentos empacados inapropiadamente se sequen.
- Siga las instrucciones del paquete o contenedor para un almacenamiento adecuado.
- **Recomendaciones de Empacamiento:**
 - Contenedores plásticos con tapas herméticas
 - Papel de aluminio reforzado
 - Envoltura plástica hecha de una capa de saran
 - Bolsas plásticas resellables
- No vuelva a congelar los alimentos descongelados.
- Se recomienda anotar la fecha de congelación en el paquete.

Ruidos de Operación Normales

- El ventilador circulando el aire en el interior de su unidad para mantener la temperatura que ha seleccionado.
- Agua hirviendo, ruidos gorgoteantes o ligeras vibraciones que son el resultado del gas refrigerante circulando a través del serpentín de enfriamiento.
- Ambos el temporizador de descongelación y el control del termostato harán "clic" cuando se enciendan y se apaguen.

Cuidados y Limpieza

Asecuada

Limpieza y Mantenimiento

Advertencia: Para evitar una descarga eléctrica siempre desenchufe su refrigerador antes de limpiarlo. El ignorar esta advertencia puede causar esiones o la muerte.

Precaución: Antes de usar productos de limpieza, siempre lea y siga las instrucciones y advertencias del fabricante para evitar lesiones personales o daños al producto.

- En general:**
- Prepare una solución de limpieza de 3-4 cucharadas de bicarbonato de sodio mezclado con agua tibia. Use una esponja o un trapo suave, humedecidos con la solución de limpieza, para limpiar su refrigerador.
 - Enjuague con agua limpia tibia y seque con un trapo suave.
 - No use químicos fuertes, abrasivos, amoníaco, cloro, detergentes concentrados, disolventes o estropajos metálicos. ALGUNOS de estos químicos pueden disolver, dañar y/o decolorar su refrigerador.

- Empaques de la puerta:**
- Limpie los empaques de la puerta cada tres meses de acuerdo a las instrucciones generales. Los empaques deben mantenerse limpios y flexibles para asegurar un sellado apropiado.
 - El aplicar un poco de vaselina en el lado articulado de los empaques mantendrá el empaque flexible y asegurará un sellado apropiado.

Reemplazo del Foco

1. Apague el interruptor del refrigerador.
2. Saque el entrepaño más alto.
3. Permita que el foco se enfríe antes de quitarlo.
4. Pellizque la cubierta plástica entre dedos y pulgar y estire suavemente a la izquierda.
5. Quite el foco destornillándolo hacia la izquierda.
6. Siempre reemplácelo con el tipo de foco incluido con la unidad, que tenga una capacidad de 40 watts o de menor potencia.
7. Nunca exceda los 40 watts de potencia.
8. Para reemplazar la cubierta, la adición clips traseros en primero y suavemente clip de frente de empujón en hasta los cierres de la cubierta en el lugar.

Interrupciones de Energía

- Pueden ocurrir ocasionalmente interrupciones de energía debido a tormentas eléctricas u otras causas. Desenchufe el cable eléctrico del tomacorriente de corriente alterna cuando ocurra una interrupción en el sistema eléctrico. Cuando la electricidad haya regresado, vuelva a conectar el cable eléctrico a un tomacorriente de corriente alterna. Si ocurre una interrupción en el sistema eléctrico durante un periodo prolongado, inspeccione y deseche los alimentos descongelados o echados a perder en el refrigerador o congelador. Limpie el refrigerador antes de volver a usarlo.

Vacaciones y Mudanza

- Durante ausencias largas o vacaciones, vacíe la comida del refrigerador y congelador, coloque el DIAL de temperatura a la posición de "OFF" (apagado) y limpie el refrigerador y los empaques de la puerta de acuerdo a la sección de "Limpieza general". Mantenga las puertas abiertas para que el aire pueda circular en el interior. Al mudarse, siempre traslade el refrigerador verticalmente. No lo traslade con la unidad colocada horizontalmente. Pudiera ocurrir un posible daño el sistema sellado.

Verificación de Problemas

El Refrigerador no Funciona:

- Revise que el control del termostato no esté en la posición de "OFF" (apagado).
- Revise que el refrigerador esté conectado.
- Revise que haya corriente eléctrica en el tomacorriente de corriente alterna, revisando el interruptor de circuito.

La temperatura de los alimentos parece estar demasiado tibia:

- Apertura constante de la puerta.
- Dele tiempo a los alimentos tibios para que puedan alcanzar una temperatura fresca o de congelación.
- Revise que los empaques estén bien sellados.
- Ajuste el control de temperatura al ajuste más frío.

La temperatura de los alimentos es demasiado fría:

- Si el ajuste del control de temperatura es muy frío, ajústelo a una temperatura más cálida y permita que pasen varias horas hasta que la temperatura se ajuste.

El refrigerador se enciende frecuentemente:

- Esto puede ser normal para mantener una temperatura constante durante temperaturas altas y días húmedos.
- Las puertas pudieron haberse abierto frecuentemente o durante un largo periodo de tiempo.
- Revise que el empaque esté bien sellado.
- Revise que las puertas estén completamente cerradas.

Acumulación de humedad en el interior o exterior del refrigerador:

- Esto es normal durante periodos de alta humedad.
- Apertura constante o prolongada de la puerta.
- Revise que los empaques de la puerta estén bien sellados.

El refrigerador despidе un olor:

- Necesita limpiar el interior.
- Los alimentos envueltos o sellados inadecuadamente están despidiendo los olores.

La luz del refrigerador no funciona:

- Revise el suministro eléctrico.
- Apriete el foco en el zócalo.
- Reemplace el foco fundido.

La puerta del refrigerador/congelador no cierra correctamente:

- Nivele el refrigerador.
- Vuelva a alinear la puerta del refrigerador/congelador.
- Revise que no haya obstrucciones como contenedores de alimentos, la cubierta del cajón para frutas y verduras, entrepaños, recipientes, etc.

Garantía Limitado

¿Qué está cubierto y por cuánto tiempo?

Esta garantía cubre cualquier defecto en la manufactura o empleo de materiales por un plazo de:

12 meses de mano de obra
12 meses en componentes
5 años en el sistema sellado

La garantía comienza en la fecha de compra del artículo, y la factura original de compra debe presentarse al centro de servicio autorizado para poder efectuar cualquier reparación que esté bajo garantía.

EXCEPCIONES: Garantía por Uso Comercial o Bajo Arrendamiento **90 meses en mano de obra** **(únicamente en taller)** **90 días en componentes**

Ninguna otra garantía es válida **¿Qué está cubierto?**

1. Los componentes mecánicos y eléctricos que cumplen con alguna función de este aparato durante un plazo de 12 meses. Esto incluye cualquier componente con excepción acabados y molduras.
2. Los componentes del sistema sellado, como por ejemplo: compresor hermético, condensador, y evaporador, por defectos de manufactura durante un plazo de 5 años a partir de la fecha de compra. Cualesquier daños a tales componentes causados por abuso mecánico o manejo o transportación inadecuada no serán cubiertos.

¿Qué se hará?

1. Repararemos o reemplazaremos, a discreción nuestra, cualquier componente mecánico o eléctrico que se muestre defectuoso por uso normal durante el plazo así especificado.
2. No habrá cargos para el comprador por las partes y la mano de obra en cualesquier artículos cubiertos durante el periodo inicial de 12 meses. Al término de este periodo solo las partes son cubiertas en la garantía restante. La mano de obra no está provista y debe ser cubierta por el cliente.
3. Localice su centro de servicio autorizado más cercano. Para conocer el nombre del centro de servicio más próximo a su domicilio, por favor llame al 1-877-337-3639 (Válido solo en E.U.A.).

ESTA GARANTIA CUBRE APARATOS DENTRO DEL TERRITORIO CONTINENTAL DE LOS ESTADOS UNIDOS, PUERTO RICO Y CANADA.

Daños por instalación inadecuada.
 Daños por transportación.
 Defectos que no sean por manufactura.
 Daños por negligencia, abuso, accidente, alteración, falta de cuidado adecuado y de mantenimiento, o conexión a tensión eléctrica incorrecta.

Daños que no sean por uso doméstico.
 Daños por servicio que no sea proporcionado a través de un distribuidor o centro de servicio autorizado. Molduras decorativas o focos reemplazables.

Envío y transportación.
 Mano de obra (después de los primeros 12 meses).

ESTA GARANTIA LIMITADA ES PROVISTA EN SUSTITUCION A CUALQUIER OTRA GARANTIA EXPRESADA O QUE IMPLIQUE LAS GARANTIAS MERCANTILES SUJETAS A CIERTO PROPOSITO.

El amparo provisto por esta garantía es de uso exclusivo y se otorga en sustitución a cualquier otro amparo.

Esta garantía no cubre daños incidentales o sus derivados, por lo que las anteriores restricciones pueden serle ajenas. En ciertos estados no se permiten restricciones en lo que se refiere a la duración implícita de una garantía, por lo que las anteriores restricciones pueden serle ajenas.

Esta garantía le otorga ciertos derechos legales y es posible que usted goce de otros derechos, los cuales varían de estado a estado.

Haier America
 New York, NY 10018

IMPORTANT

Do Not Return This Product To The Store

If you have a problem with this product, please contact the "Haier Customer Satisfaction Center" at 1-877-337-3639.

DATED PROOF OF PURCHASE REQUIRED FOR WARRANTY SERVICE

IMPORTANT

Ne pas Réexpédier ce Produit au Magasin

Pour tout problème concernant ce produit, veuillez contacter le service des consommateurs 'Haier Customer Satisfaction Center' au 1-877-337-3639.
UNE PREUVE D'ACHAT DATEE EST REQUISE POUR BENEFICIER DE LA GARANTIE.

IMPORTANTE

No regrese este producto a la tienda

Si tiene algún problema con este producto, por favor contacte el "Centro de Servicio al Consumidor de Haier" al 1-877-337-3639 (Válido solo en E.U.A).
NECESITA UNA PRUEBA DE COMPRA FECHADA PARA EL SERVICIO DE LA GARANTIA

115V, 60 Hz

**Made in China
Fabriqué en Chine
Hecho en China**

Haier®

**Haier America Trading, L.L.C.
New York, NY 10018**

HRF08.10.12
04P-0326 0307
Part # RF-9999-298

Printed in China