



### Features:

- Cast brass spout and valves
- Ceramic disc valve cartridge
- Adjustable hot limit safety stop
- Pressure Balance cartridge maintains constant output temperature in response to changes in relative hot and cold supply pressures
- Integral diverter
- Concealed mounting hardware
- Multi-functional showerhead
- Available in 5 Handle Options

Pictured: 853/400 Tub & Shower Set with Cross Handle

Showerhead Maximum Flow Rate: 2.5 GPM (9.5L/min)

Kit Options	Handle Type	Product Number
Tub & Shower Set	Cross	853/400
Tub & Shower Set	Straight Lever	853/401
Tub & Shower Set	Curved Lever	853/402
Tub & Shower Set	Porcelain Lever	853/403
Tub & Shower Set	Crystal Lever	853/404
PB Diverter Valve Set	Cross	853/140
PB Diverter Valve Set	Straight Lever	853/141
PB Diverter Valve Set	Curved Lever	853/142
PB Diverter Valve Set	Porcelain Lever	853/143
PB Diverter Valve Set	Crystal Lever	853/144

Available Finishes:	Finish Code
Polished Chrome	100
Old Bronze	105
Brushed Nickel	144
Platinum Nickel	150
Diamond (PVD)	167
Antique Nickel	444

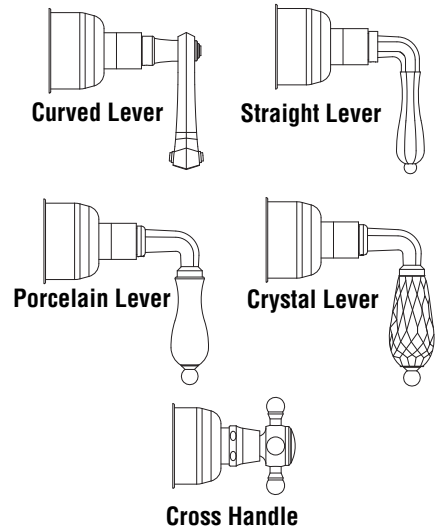
Porcelain Finishes:	Finish Code
Brushed Nickel/White Porcelain	124
Polished Chrome/White Porcelain	128
Platinum Nickel/White Porcelain	152

Rough & Trim Options	Handle Type	Product Number
Tub & Shower Set Trim Only*	Cross	853/495
Tub & Shower Set Trim Only*	Straight Lever	853/496
Tub & Shower Set Trim Only*	Curved Lever	853/497
Tub & Shower Set Trim Only*	Porcelain Lever	853/498
Tub & Shower Set Trim Only*	Crystal Lever	853/499
PB Diverter Valve Set Trim Only**	Cross	853/545
PB Diverter Valve Set Trim Only**	Straight Lever	853/546
PB Diverter Valve Set Trim Only**	Curved Lever	853/547
PB Diverter Valve Set Trim Only**	Porcelain Lever	853/548
PB Diverter Valve Set Trim Only**	Crystal Lever	853/549
Showerhead Only		860/082
Tub Spout Only		894/908
Rough Only		899/261/191

\* Includes Pressure Balance Diverter Valve Trim, Showerhead & Tub Spout  
 \*\*Pressure Balance Diverter Valve Trim Only

Extension Kits	Product Number
PB Handle Extension Kit	A3195.191
PB Diverter Extension Kit	A3196.191

### Handle Options:



ROUGH-IN DIAGRAM SHOWN ON REVERSE SIDE


### CODES & STANDARDS

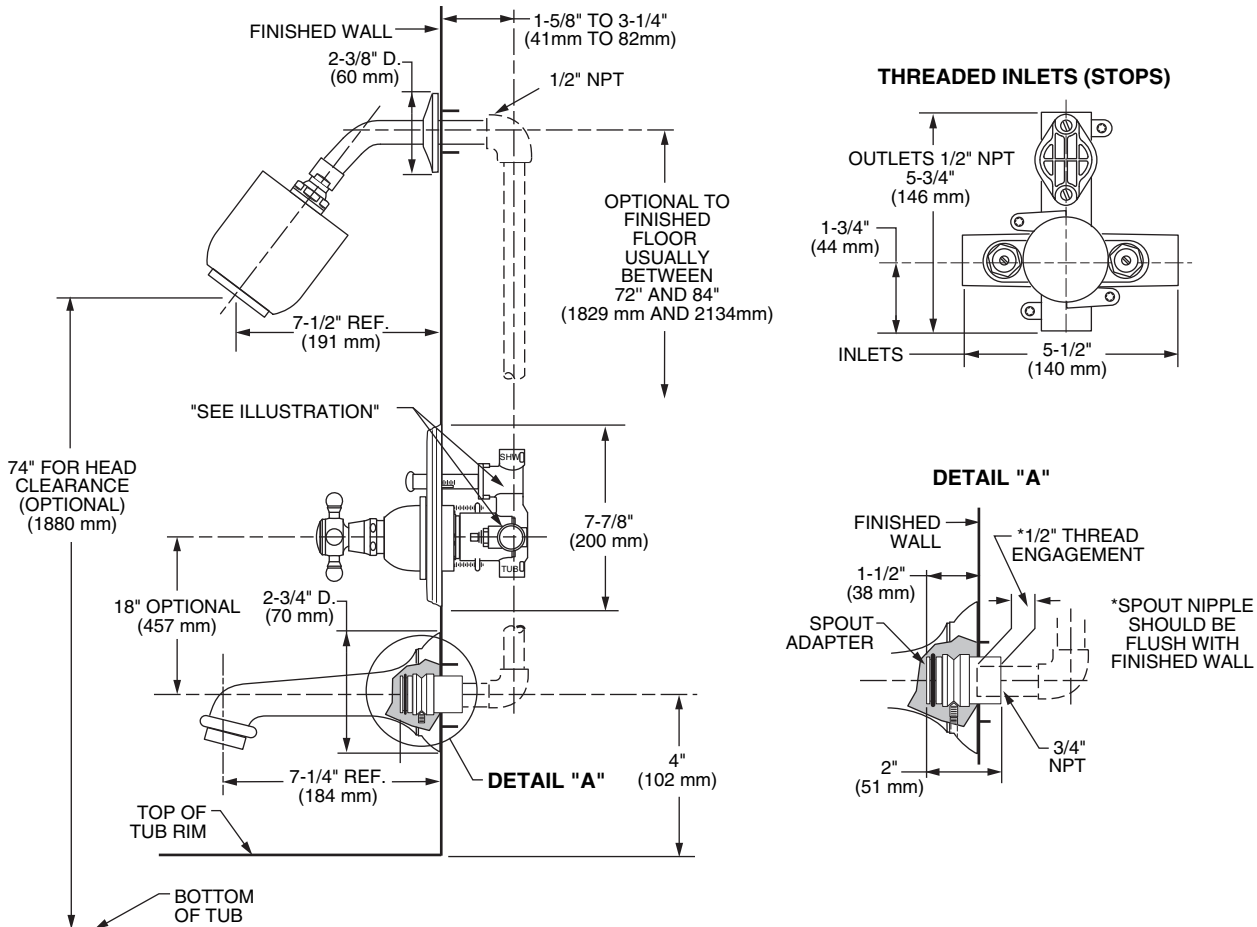
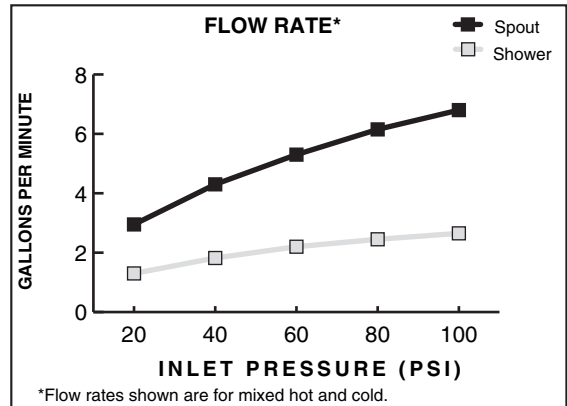
These products meet and exceed the following codes and standards:

**ASME A112.18.1**

**CSA B125**

**ASSE1016**

 Meets the American Disabilities Act Guidelines and **ANSI A117.1** Requirements for the physically challenged.



**IMPORTANT:** These measurements are subject to change or cancellation. No responsibility is assumed for use of superseded or voided pages.