



Features:

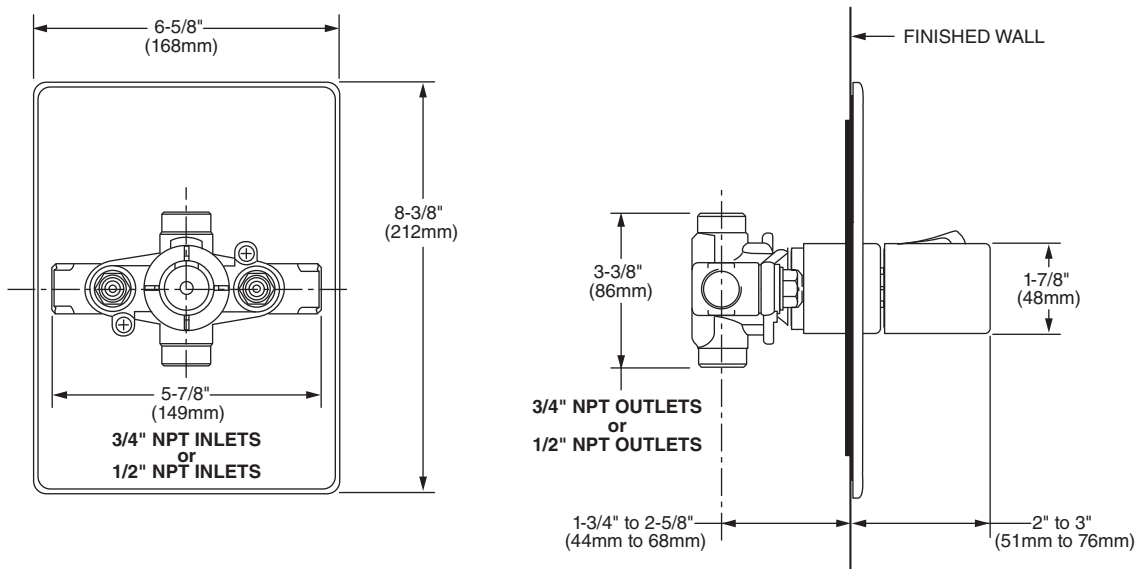
- European Minimalist Design
- Ceramic disc valve cartridge
- Cast brass valve body with built-in check stops
- Adjustable hot limit safety stop
- Wax Thermostatic Unit permits shuttle valve to move between the hot and cold seats to maintain the pre-selected constant water temperature

Description	Handle Type	Product Number
1/2" Thermostatic Mixing Valve	Knob	831/785
3/4" Thermostatic Mixing Valve	Knob	831/780

Available Finishes	Finish Code
Polished Chrome	100
Brushed Nickel	144
Platinum Nickel	150

Rough & Trim Options	Handle Type	Product Number
Trim Only	Knob	831/707
1/2" Rough Only		875/612/191
3/4" Rough Only		875/614/191

Extension Kit	Product Number
Handle Extension Kit	H960892.191



IMPORTANT: These measurements are subject to change or cancellation. No responsibility is assumed for use of superseded or voided pages.

CODES & STANDARDS

These products meet and exceed the following codes and standards:

- ASME A112.18.1
- CSA B125.1
- ASSE 1016

