



Features:

- Ceramic disc valve cartridge
- Cast brass valve body with built-in check stops
- Adjustable hot limit safety stop
- Wax Thermostatic Unit permits shuttle valve to move between the hot and cold seats to maintain the preselected constant water temperature
- Concealed mounting hardware
- Available with Cross or Lever Handle

Pictured: 842/781 Mixing Valve with Lever Handle

Maximum Temperature Limit: 112°

Kit Options	Handle Type	Product Number
3/4" Thermostatic Mixing Valve	Cross	842/780
3/4" Thermostatic Mixing Valve	Lever	842/781



Rough & Trim Options	Handle Type	Product Number
Trim Only	Cross	842/707
Trim Only	Lever	842/708
Rough Only		875/614/191

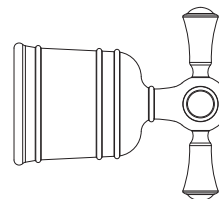


Extension Kits	Product Number
Handle Extension Kit	H960892.191

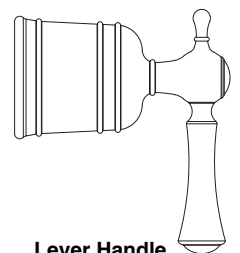
Available Finishes:	Finish Code
Polished Chrome	100
Old Bronze	105
Brushed Nickel	144
Platinum Nickel	150
Antique Nickel	444

ROUGH-IN DIAGRAM SHOWN ON REVERSE SIDE

Handle Options:



Cross Handle



Lever Handle

CODES & STANDARDS

These products meet and exceed the following codes and standards:

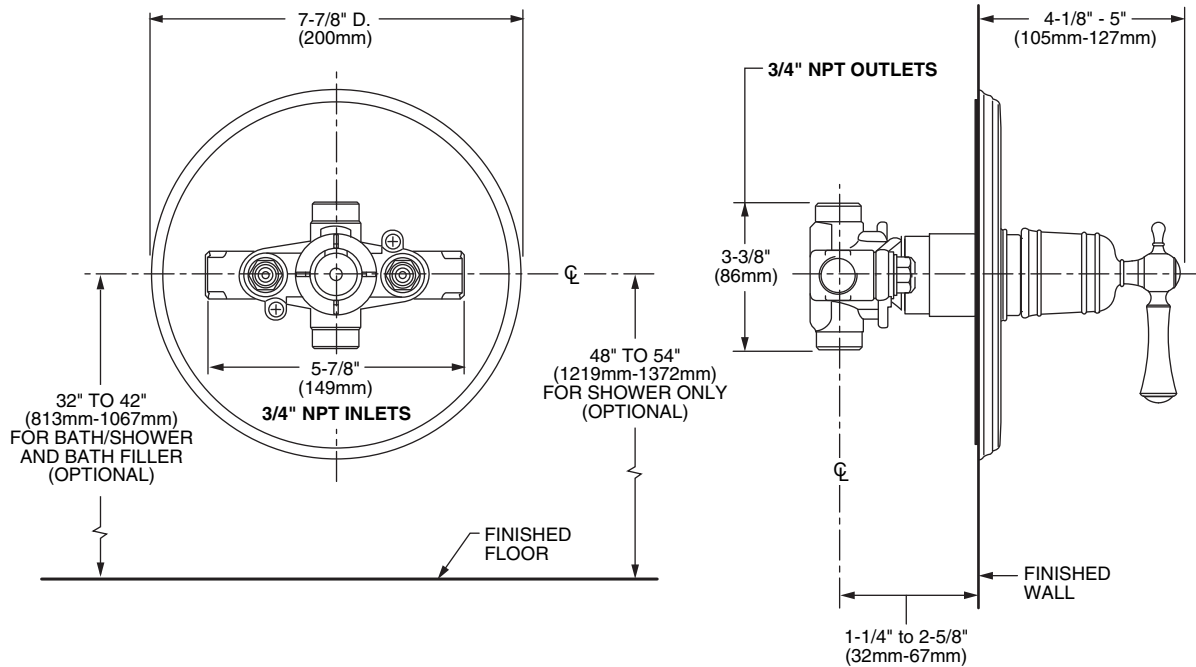
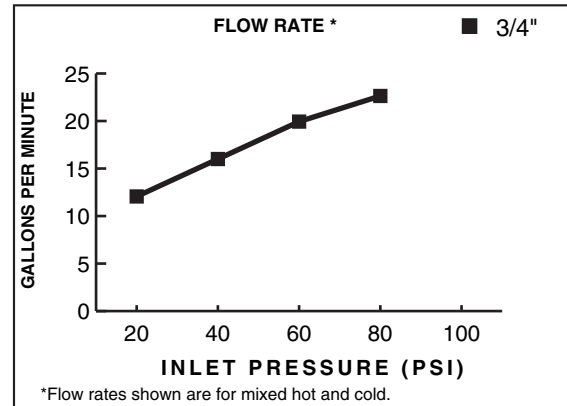
ASME A112.18.1

CSA B125

ASSE1016



Meets the American Disabilities Act Guidelines and **ANSI A117.1** Requirements for the physically challenged.



IMPORTANT: These measurements are subject to change or cancellation. No responsibility is assumed for use of superseded or voided pages.