

Built-In French Door Bottom-Freezer Refrigerators

Architect® Series II

KBFC42FT
KBFO42FT

The world's first built-in French door refrigerator is here, and there is room for endless possibilities! The versatile design provides the **widest refrigerator space available**. And, with 22.6 cubic feet of space, you get the **largest refrigeration capacity** of any built-in bottom-freezer refrigerator on the market.



Cabinetry by Shenandoah Cabinetry®. Zodiac® Quartz Surface by DuPont.



Custom Overlay Panels
and Handles
KBFO42FTX



Stainless Steel
KBFC42FTS



FOR THE WAY IT'S MADE.®



Built-In French Door Bottom-Freezer Refrigerators

ExtendFresh™ Plus Temperature Management System

A thermostat in the freezer and a thermistor in the refrigerator independently monitor temperatures to help ensure all of your ingredients remain at the appropriate temperature for maximum taste and texture.

AquaSense™ Base-Grille Filtration System – Filtered by PÜR®

A filter reduces impurities for fresh-tasting water and is located on the base grille, so it doesn't take away usable refrigerator space.

KBFC42FT – 42-Inch

- ExtendFresh™ Plus Temperature Management System
- AquaSense™ Base-Grille Filtration System – Filtered by PÜR®
- Fahrenheit and Celsius Temperature Display
- On Demand Pulsed Defrost System
- Automatic Ice Maker
- Adjustable SpillClean™ Glass Shelves
- ClearVue™ SatinGlide® Crispers
- Dual Magna Seal™ Gasket System
- Max Cool
- ClearVue™ Slide N Lock™ Door Storage
- ExtendFresh™ Ingredient Care Center
- Whisper Quiet® Compressor System
- Glass-Touch Electronic Controls
- Holiday/Sabbath Mode
- Star-K Certified
- Stainless Steel (S)

KBFO42FT – 42-Inch

Similar to model KBFC42FT. Requires installation of custom overlay panels and handles. Available in brushed aluminum trim (X).

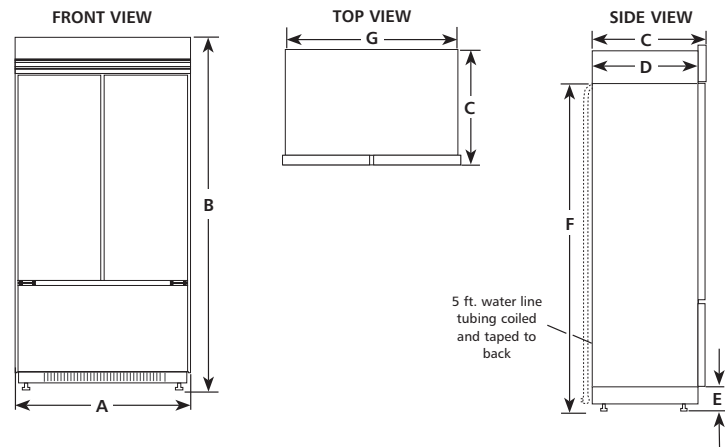
PRODUCT DIMENSIONS

	A	B*	C**	D	E*	F†	G
42-INCH	42 1/4"	83 3/8"	25 3/8"	23 1/2"	3 1/2"	84"	41 1/4"

*Leg levelers extended 1/8" below rollers; add 1 1/8" for levelers fully extended 1 1/4" below rollers.

**Dimension is to front of top grille, excluding custom panel.

†Power cord.



CUTOUT DIMENSIONS

	WIDTH†	HEIGHT (min./max.)	DEPTH (min.)
42-INCH	41 1/2"	83 1/2"/84 3/4"	24"

†To allow sufficient airflow to the compressor, side trim must be on the outside of adjoining cabinets and not recessed into the cutout.

The location must permit both doors to open to a minimum of 90°. Allow 4 1/2" minimum space between the side of the refrigerator and a corner wall, including baseboard area.

More clearance may be required if you are using overlay panels or custom handles.

Electrical: A 115 Volt, 60 Hz., AC only 15- or 20-amp fused, grounded electrical supply on a separate circuit. A GFCI (Ground Fault Circuit Interrupter) outlet is not recommended.

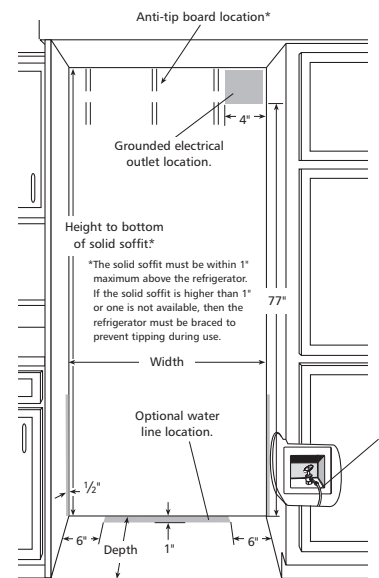
Water Supply: A cold water supply with water pressure between 30 and 120 psi (207-827 kPa).

Water shutoff may be located in the base cabinet or for easy access. The access hole through the cabinet must be within 1/2" of rear wall.

If installed behind refrigerator, water shutoff valve must be angled so that tubing is not damaged.

Face of cabinetry must be plumb. Floor: Must support refrigerator (more than 600 pounds) and must be at the same level as flooring in the room.

Dimensions are for planning purposes only. For complete details, see Installation Instructions packed with product. Specifications subject to change without notice.



KitchenAid®
FOR THE WAY IT'S MADE.®

®Registered trademark/™Trademark of KitchenAid, U.S.A.

©2007. All rights reserved.

KitchenAid • Benton Harbor, Michigan 49022 U.S.A.

PÜR® is a registered trademark of The Procter & Gamble Company.

®Shenandoah Cabinetry is a registered trademark of American Woodmark Corporation.

®Zodiaq is a DuPont registered trademark for its quartz surfaces. Only DuPont makes Zodiaq.

(27779RC0307)

Printed in U.S.A.

For Additional Information
About KitchenAid® Appliances

Visit KitchenAid.com or call the Customer
Experience Center 1-800-422-1230.



03/07

KKRL215