



## LIMITED LIFETIME WARRANTY

Compass Manufacturing International warrants to the original consumer purchaser that the faucet be free from defects in material and workmanship for as long as the original consumer purchaser owns the home in which the faucet was first installed.

In the event that Freendo faucets are used in a Commercial Application, this warranty is limited for a period of 5 years, unless otherwise specifically stated in the catalog and/or price book.

Compass Manufacturing International will replace, free of charge, during the applicable warranty period, any part or finish that proves defective in material and/or workmanship under normal installation, use and service. This warranty shall not apply to goods which have been subject to accidents, negligence or improper installation. Compass Manufacturing International will not be liable for other damages or losses, including, but not limited to: labor charges and/or damages incurred in installation, repair or replacement as well as any other kind of loss or damage. Proof of purchase from the original consumer purchaser must be made available for all warranty claims.

Compass Manufacturing International recommends using a professional plumber for all installation and repair. Compass Manufacturing International will, at its discretion, provide new or equivalent replacement parts for any product that proves to be defective under normal usage and service. Replacement parts may be obtained by emailing the address below, calling the number below or by writing to:

### Compass Manufacturing International

Freendo Product Service

6702 Enterprise Drive

Louisville, KY 40214

800.626.3525

[warranty@cmiproduct.com](mailto:warranty@cmiproduct.com)

Revised 12/18/19

[warranty@cmiproduct.com](mailto:warranty@cmiproduct.com)

© Compass Manufacturing International

800.626.3525



Model No. : 192-6431 Polished Chrome  
192-6432 Brushed Nickel *Spotless PVD*<sup>™</sup>  
192-6433 Oil-Rubbed Bronze



## Aegean Single Handle Bathroom Faucet with Brass Pop-Up

Single or 3 Hole Installation



## Helpful Information

### Helpful Tools

#### Tools:

Gather the necessary tools as shown below to complete the installation of this faucet. Some may not be needed depending on the model of faucet you are installing.



Plumber's Putty  
and/or Silicone



Flashlight



Basin Wrench



Safety Glasses



Screwdriver



Pliers



Channel Locks



Adjustable Wrench

## Maintenance

Your new faucet is designed for years of trouble-free performance. Keep it looking new by cleaning it periodically with a soft, damp cloth. Avoid abrasive cleaners, steel wool and harsh chemicals as these will dull the finish and void your warranty.

## Safety Tips

- If you use solder for the installation of this faucet, please remove the seats, cartridges and washers before soldering. Otherwise the warranty will be voided on these parts.
- Protect your eyes with safety glasses when cutting or soldering water supply line.
- Cover your drain to avoid losing parts.

## Important Points

Prior to beginning installation, turn off the cold and hot water lines and turn on the old faucet to release built-up pressure. When installing your new faucet, turn the connector nuts finger tight, then use a wrench to anchor the fitting and a second wrench to tighten the nut one additional turn. Connections that are too tight can compromise the integrity of the system. Wrap all threaded connections with teflon tape. Always wrap in a clockwise direction.

## 5

## Troubleshooting

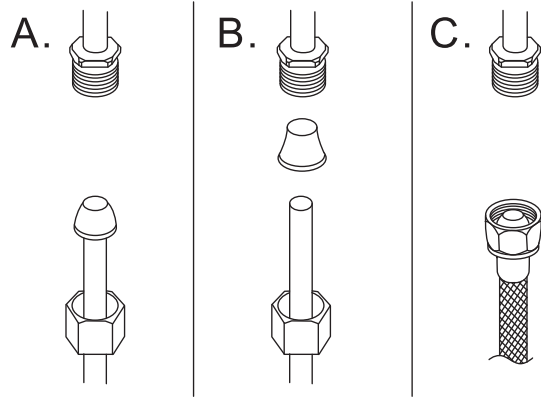
If the instructions were followed carefully and the faucet does not work properly, try these corrective steps.

Problem	Cause	Action
Leaks underneath handle (#1).	Lock nut (#5) has come loose.	Turn off the water supplies. Remove the handle (#1) and trim cap (#4). If the lock nut (#5) is loose tighten it.
Water will not shut off completely.	Dirty or damaged cartridge (#6).	Turn off water supplies. Remove the handle (#1), trim cap (#4), lock nut (#5), and cartridge (#6). Check the ceramic disk for dirt and damage. Replace the cartridge (#6) if damaged. If cartridge (#6) is dirty, soak in warm white vinegar for 4 hours. Every 30 minutes, while the cartridge (#6) is completely submerged, turn the stem on and off 10 times. Reinstall the cartridge (#6), lock nut (#5), trim cap (#4), and handle (#1).

Have a question? DON'T GO BACK TO THE STORE, WE CAN HELP, just call 1-800-626-3525 ,8 a.m. to 5 p.m. EST Monday-Friday, or send an email to [Help@cmiproduct.com](mailto:Help@cmiproduct.com).

# 4

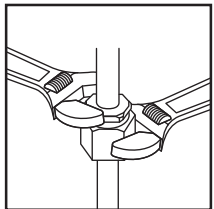
## Configuration



**Warning:**  
The supply valves and supply lines are not included.

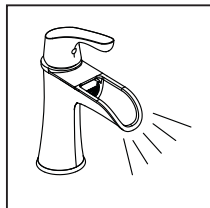
Connect to water supply lines with either:

- (A) 3/8" O.D. Copper tubing (ball nose risers with the coupling nuts or;
- (B) 3/8" Copper tubing (no ball) with supplied tube head interior connector or;
- (C) IPS faucet connectors (1/2")



### Important:

Tighten connection with two wrenches to prevent damage to tube body. Be careful not to bend the stem as this will void the product warranty.



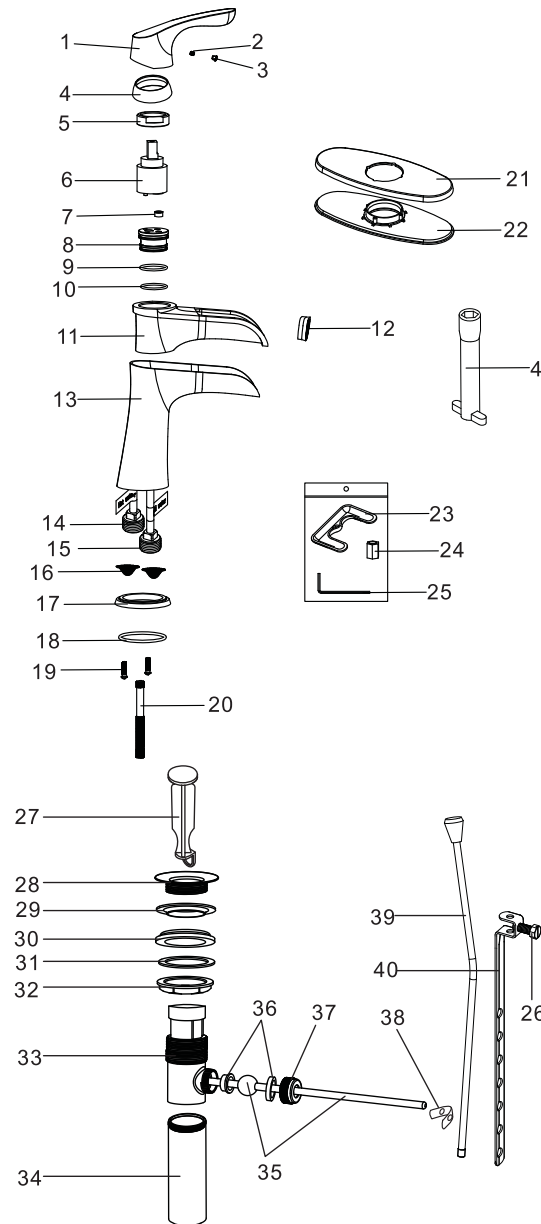
### Important:

Let both hot and cold water run for one minute. This will help clean any debris that might clog the system.

**Test system for leaks.**

# 1

## Parts Diagram / List

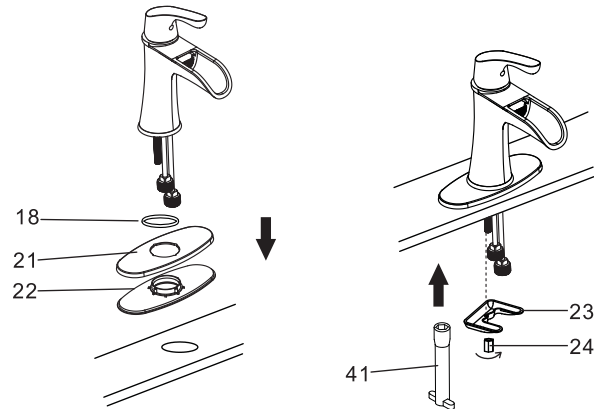


No.	Part Name
1	Handle
2	Set Screw
3	Index
4	Trim Cap
5	Lock Nut
6	Cartridge
7	Flow Restrictor
8	Cartridge Seat
9	O-ring
10	O-ring
11	Spout
12	Aerator
13	Body
14	Copper Tube (Hot)
15	Copper Tube (Cold)
16	Screen Filter
17	Base
18	O-ring
19	Screw
20	Mounting Bolt
21	Deck Plate
22	Gasket
23	Clamp
24	Lock Nut
25	Allen Wrench
26	Lift Rod Strap Screw
27	Drain Stopper
28	Flange
29	Top Rubber Washer
30	Bottom Rubber Washer
31	Washer
32	Lock Nut
33	Drain Body
34	Tailpiece
35	Ball Rod
36	Ball Rod Gasket
37	Ball Nut
38	Spring Clip
39	Lift Rod
40	Lift Rod Strap
41	Socket Wrench

2

## Installation Instructions

### Deck Plate Installation

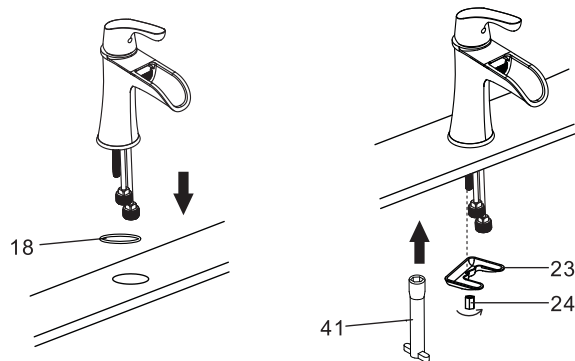


1. Position the faucet, O-ring (#18), deck plate (#21), and gasket (#22) on the countertop in the order shown.
2. Attach the faucet to the countertop using the clamp (#23) and lock nut (#24) with socket wrench (#41).

**DO NOT OVER TIGHTEN.**

Add silicone under the gasket (#22) to prevent leaks. (Optional)

### Single Hole Installation

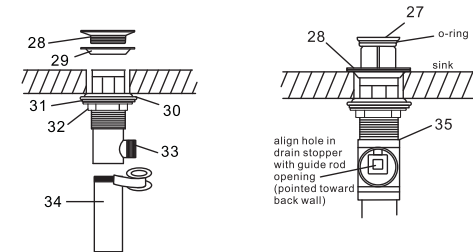


1. Position the faucet and O-ring (#18) on the countertop in the order shown.
2. Attach the faucet to the countertop using the clamp (#23) and lock nut (#24). Tighten the lock nut (#24) with socket wrench (#41).

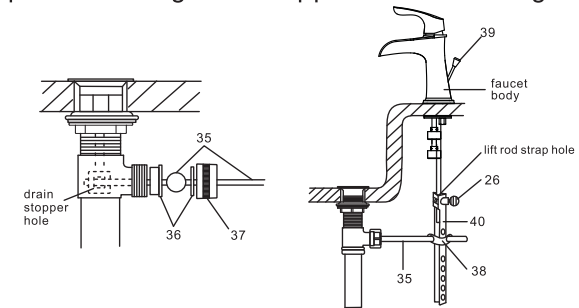
**DO NOT OVER TIGHTEN.**

3

## Installation Instructions



3. Disassemble the drain stopper (#27), flange (#28), and top rubber washer (#29).
4. Insert the drain body (#33) into the drain hole from under the sink. Reinstall the flange (#28) and top rubber washer (#29) to the drain body (#33) and hand tighten.
5. From under the sink, install the bottom rubber washer (#30), washer (#31) and tighten the lock nut (#32) until firmly against the sink base.
6. Disassemble the tailpiece (#34) from the drain body (#33) and apply teflon tape clockwise. Reinstall the tailpiece (#34) to the drain body (#33).
7. Reinstall the drain stopper (#27) into the drain body (#33). Ensure o-ring is in place and align the stopper hole with the guide rod opening, as shown.



8. Remove ball nut (#37) and ball rod gasket (#36) from the ball rod (#35). Insert ball rod (#35) into the drain body (#33) and the hole in the drain stopper (#27). Reinstall the ball rod gasket (#36) and ball nut (#37).
9. Insert lift rod (#39) through hole on faucet body. Connect ball rod (#35) to lift rod strap (#40) using spring clip (#38) to hold and adjust.
10. Attach lift rod strap (#40) to the lift rod (#39) by inserting the lift rod (#39) through the lift rod strap (#40) hole. Adjust the lift rod (#39) to the correct height and hand tighten the lift rod strap screw (#26).