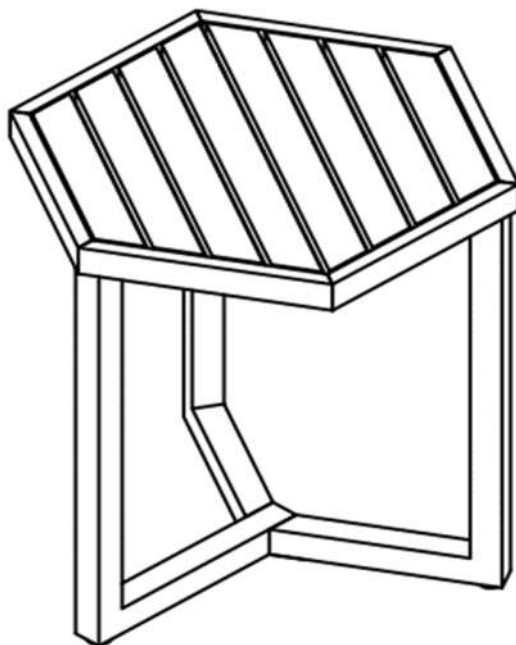


Assembly Instructions

Caution: You must read this before you proceed

Please look in the Leg Frames for Hardware packs

TABLE

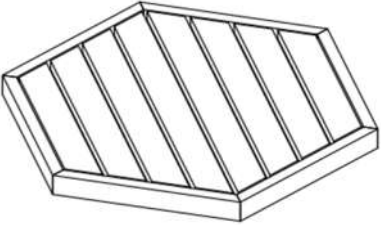


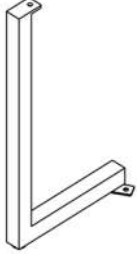


Caution: This Table is NOT a TOY.

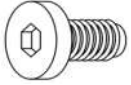

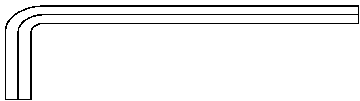
Keep your child/children at bay during the assembly process.

Whenever moving/lifting the Table and to prevent damage to the Table, two adults are required to execute these actions.

Part List

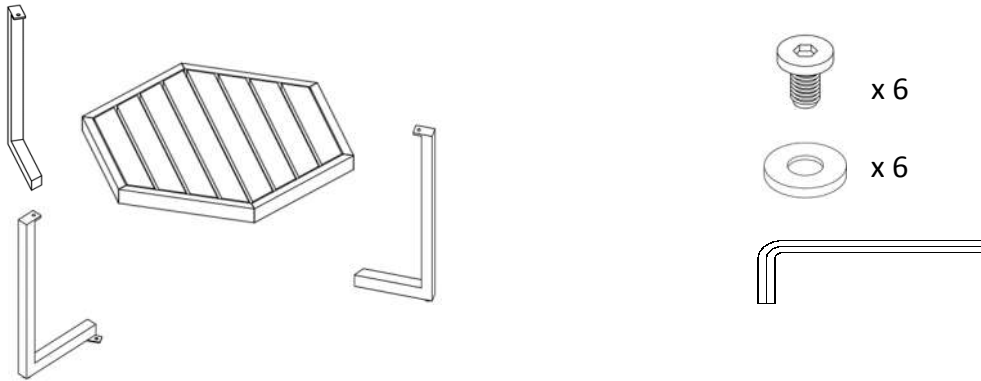
Label	Picture	Description	QTY
A		Table Top	1
B		First Leg Frame	1
C		Second Leg Frame	1
D		Third Leg Frame	1






Hardware

Label	Picture	Description	QTY
①		Bolt (M6x12mm)	6
②		Washer (M6.5/16x2mm)	6
③		Allen Wrench	1

Assembly Preparation

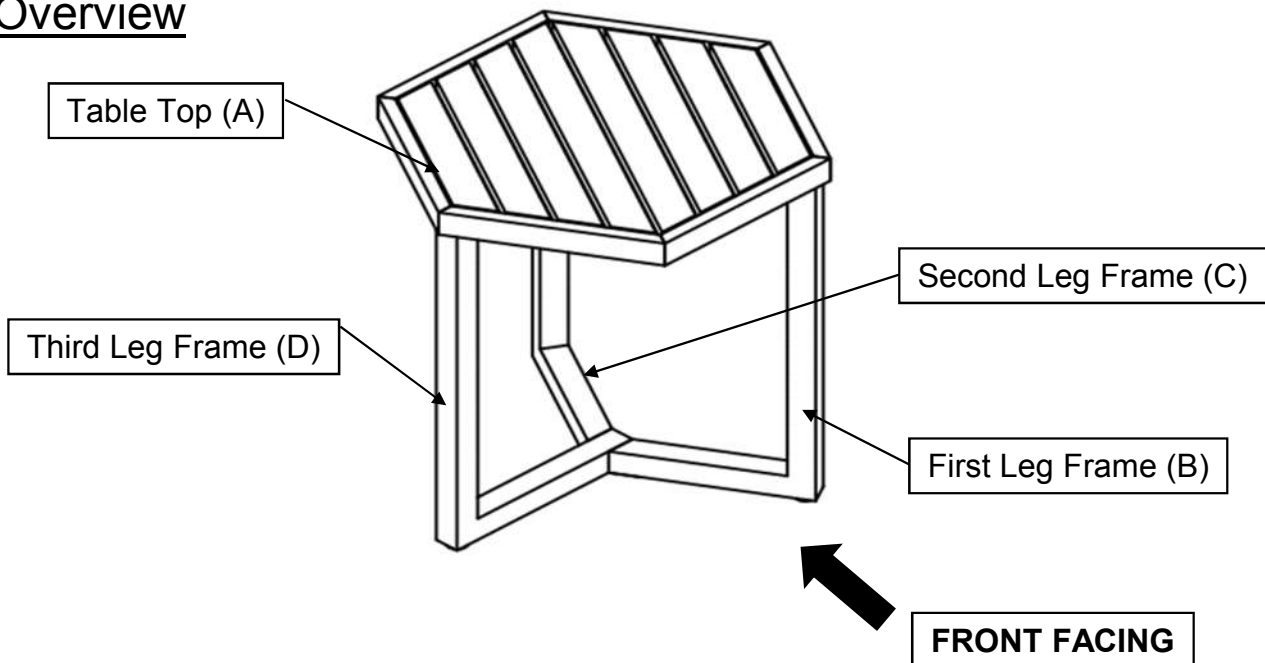
Before Beginning Assembly:



-  • Read instructions, cover to cover-
-  • Have 2 adults on hand for assembly-
-  • Do not assemble on flooring or carpet-
-  • Assemble on a clean non-marring surface (packing foam)-
-  • Save all packaging until finished-

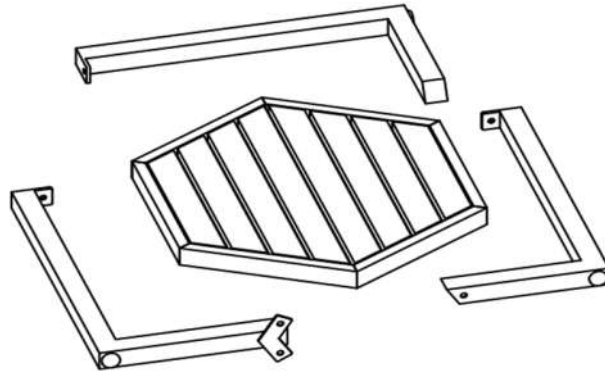
Assembly Steps

Overview



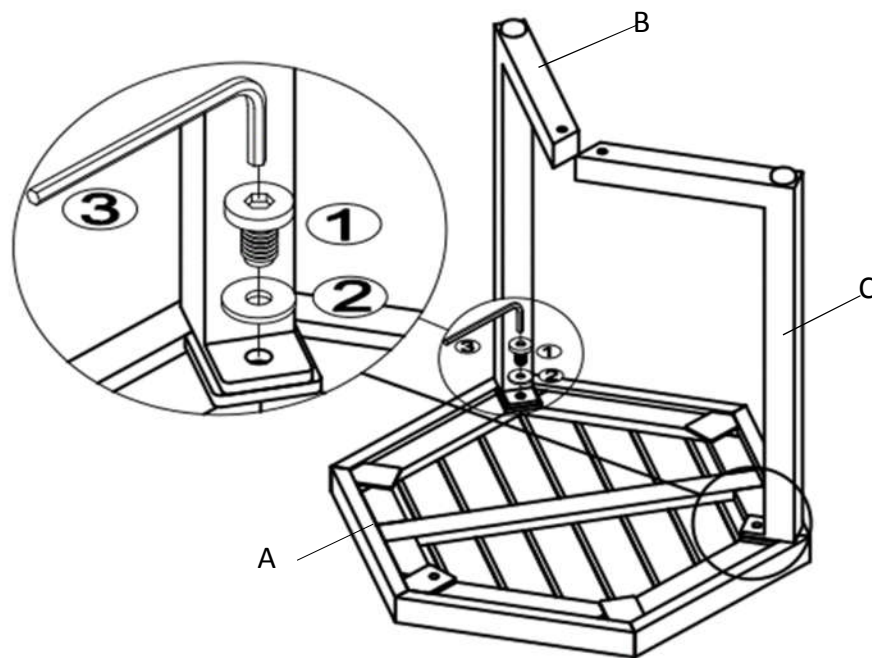
This Table has multiple parts and may require up to 10 minutes to assemble. To give you an overview of the Table parts, the above picture is to help you put the various parts into perspective. Please read through the instructions below to familiarise yourself with the parts and steps before assembly.

Step 1



Unpack and place all parts on a clean, non-marring surface.

Step 2



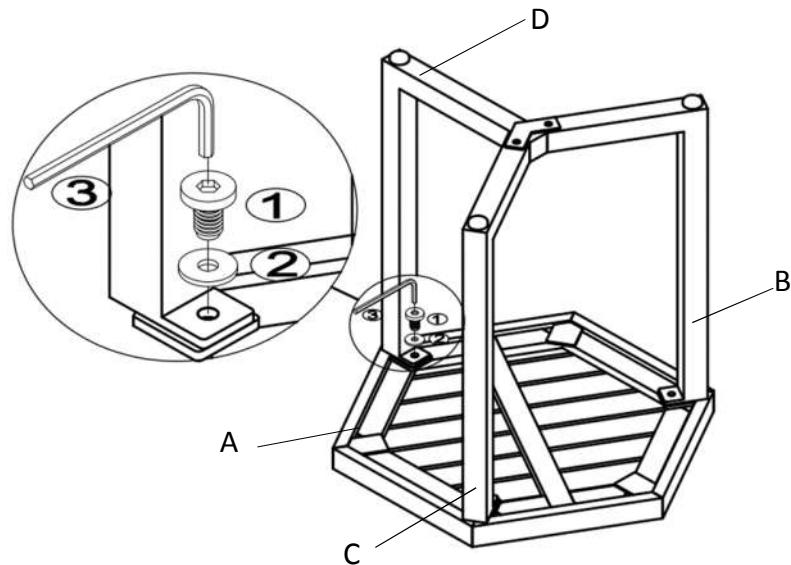
With assistance from your adult partner, place the Table Top(A) facedown on a clean, non-marring surface.

Attach the First Leg Frame(B) and the Second Leg Frame(C) to the Table Top(A) using Bolts(①), Washers(②) and the Allen Wrench(③).

Note: The Leg Frames can be placed in any order into the housing on the Table Top.

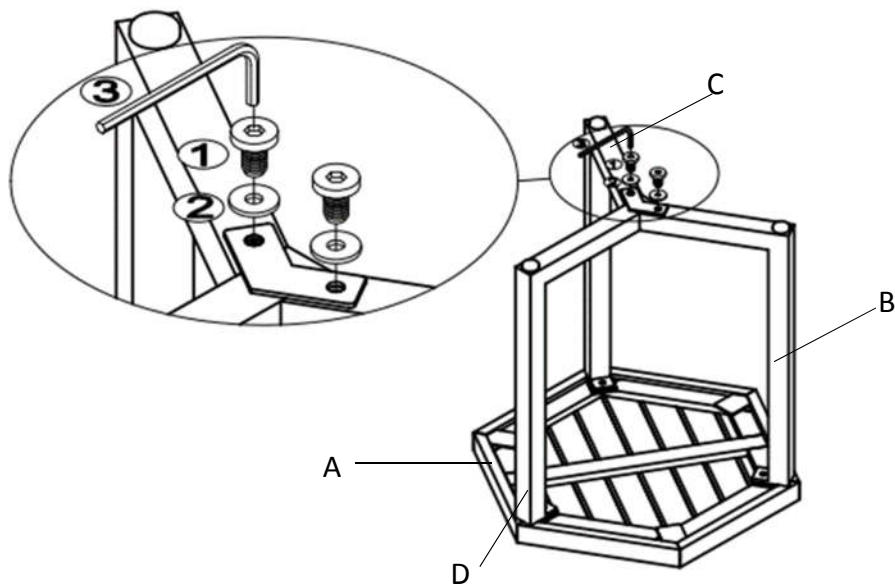
Do not fully tighten the Bolts.

Step 3



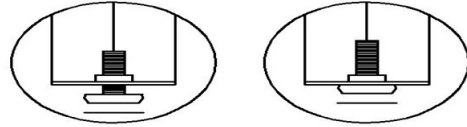
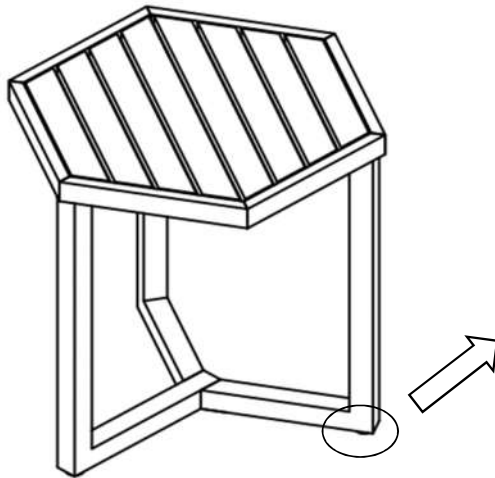
Attach the Third Leg Frame(D) to the Table Top(A) using a Bolt(①), Washer(②) and the Allen Wrench(③) as shown in above picture.
Do not fully tighten the Bolts.

Step 4



Using 2 Bolts(①) and 2 Washers(②), with the Allen Wrench(③), connect the Third Leg Frame(D) to the First Leg Frame(B) and the Second Leg Frame(C) as pictured.
Do not fully tighten the Bolts.

Step 5













Adjust height for balance

Adjust low for balance

Adjust Pre-installed Levelers
height for balance

With the assistance from your adult partner, stand the Table up. EXERT pressure floorwards onto the Table with both hands. This pressure will help the Table reach full alignment at all joints. In a sequential manner, gradually tighten all Bolts at all joints until evenly secured. Inspect the Table and make sure all parts are adequately connected. **Adjust the Levelers to desired height to avoid wobbles.** Your Table is ready for use. **This Table can only be used on a flat, level surface.**

Care & Maintenance

- ⊘  • Prolonged exposure to rain may cause rusting which can stain floors.
 - ⊘  • Do not put hot items directly on furniture surface.
 - ⊘  • Do not clean furniture with harsh cleansers or polish.
 - ✓  • To obtain the longest lifespan of your outdoor products, minimizing exposure to direct sunlight is recommended.
 - ⊘  • Children should not climb or jump on the furniture.
 - ⊘  • Do not write on furniture without a padded barrier to protect the surface.
 - ✓  • To obtain the longest lifespan of your outdoor products, avoid extended and lengthy exposure to rain, snow, and direct sunshine. Whenever possible cover the product and /or place under patio or awnings.
 - ⊘  • Not for commercial use. For residential use only.
 - ⊘  • Stains may be removed with mild soap solution and damp cloth.
-
- ✓  • Dust and pick-up spills using a clean, non-colored, lint-free cloth.