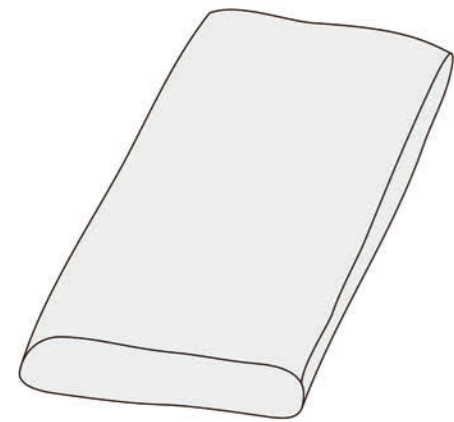
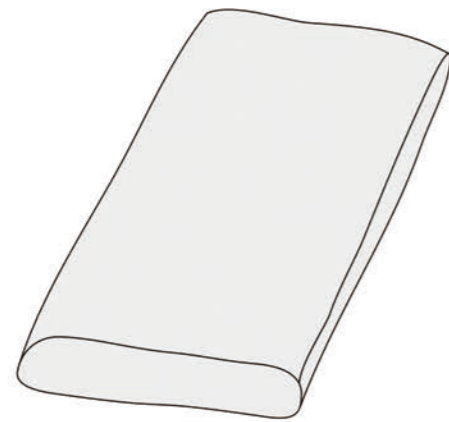


Patio Rattan Sofa Instruction

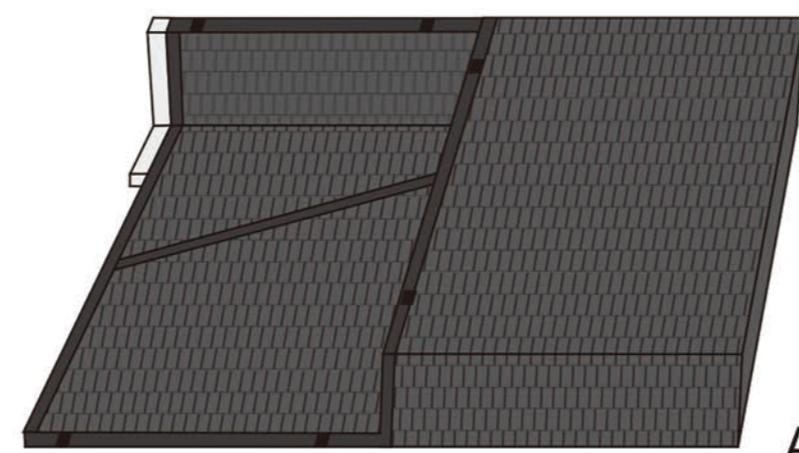
Notice:
This box contains 1pc Corner Sofa and 1pc Throw Pillow.
How to install it, Please refer to the Corner Sofa Installation steps.



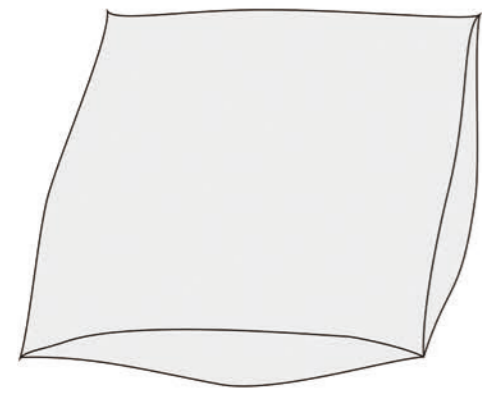
Back Cushion x1



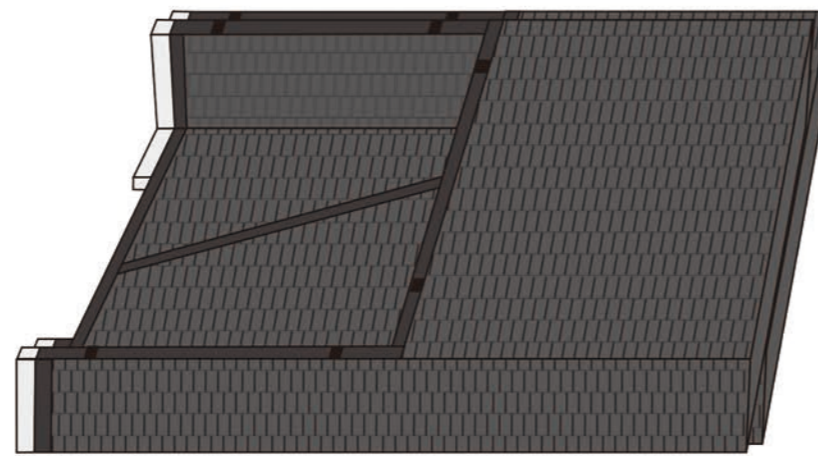
Hand-held Cushion x1



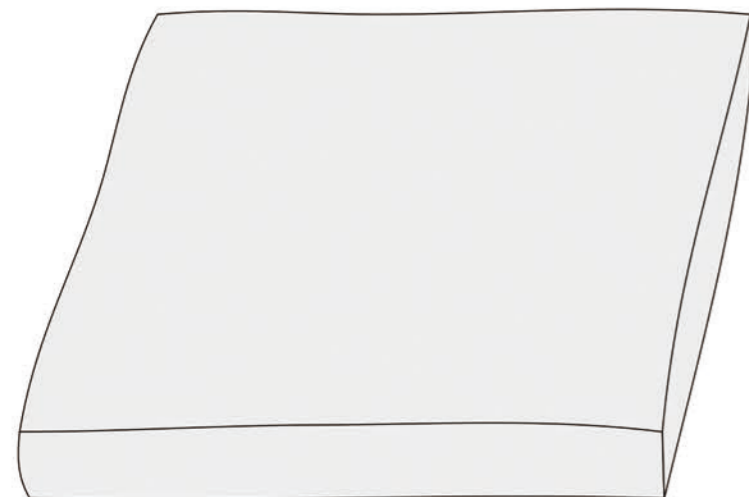
A x1



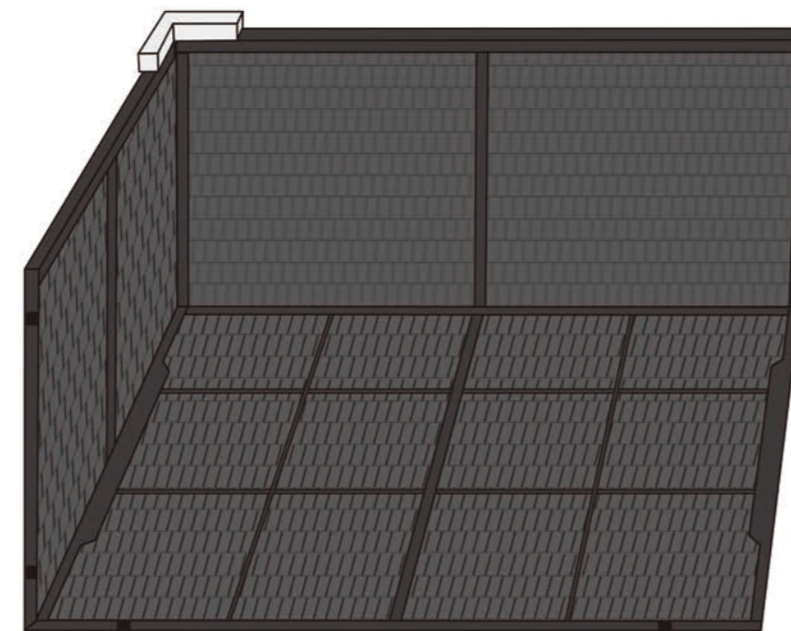
Throw Pillow x1



B x1



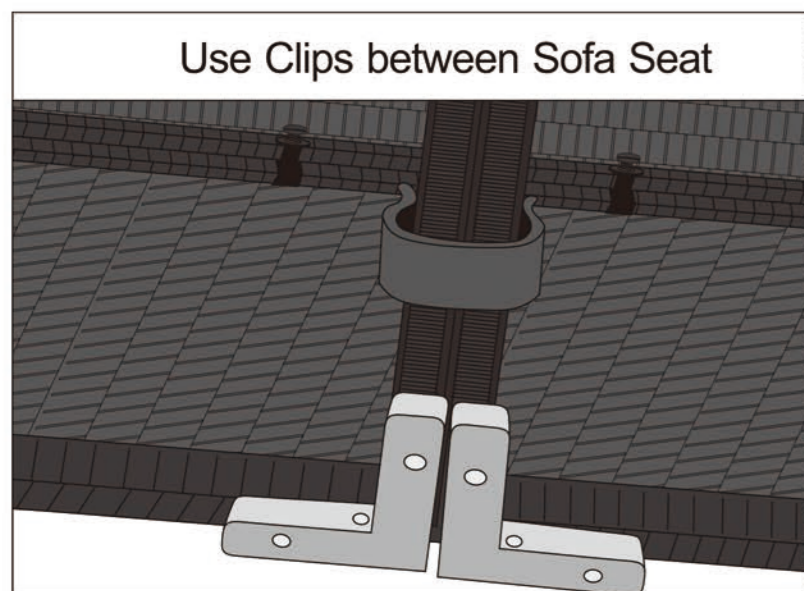
Seat Cushion x1



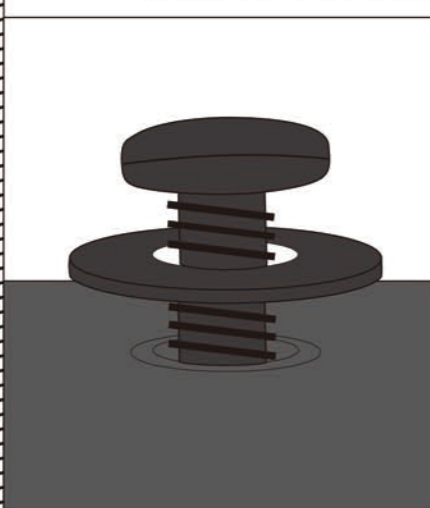
C x1

Accessories

Use Clips between Sofa Seat



How to use Screws and washers



Screws washers



x 10



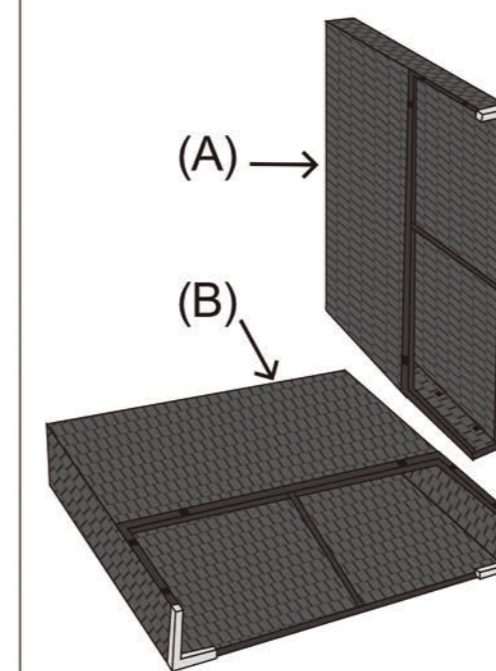
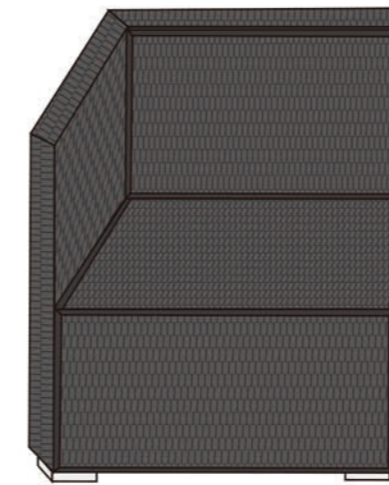
x 10

Install tools

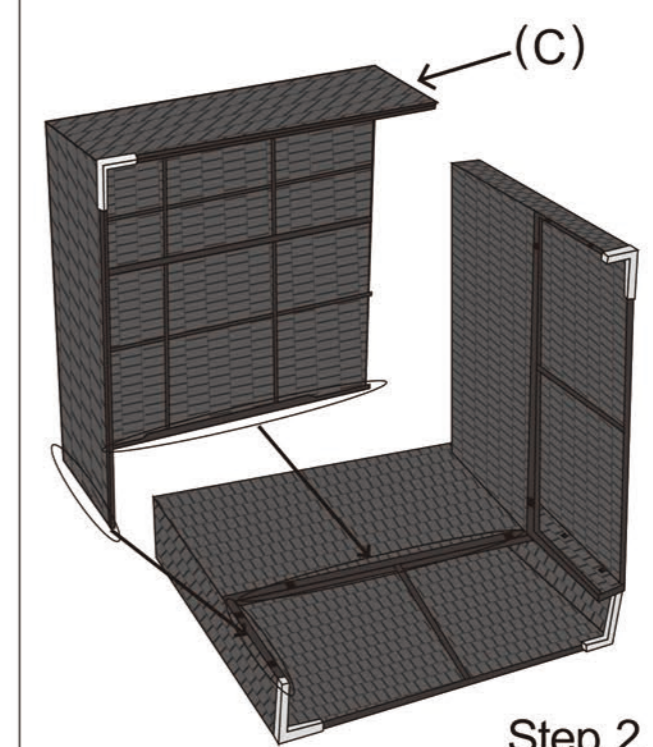


Installation Steps

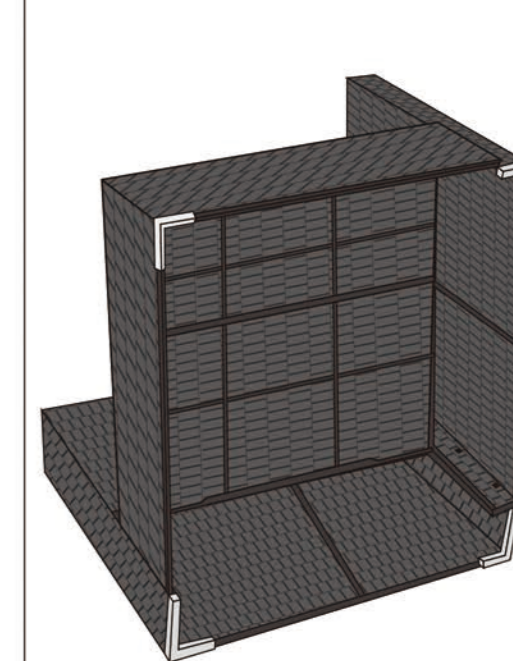
Corner Sofa



Step 1

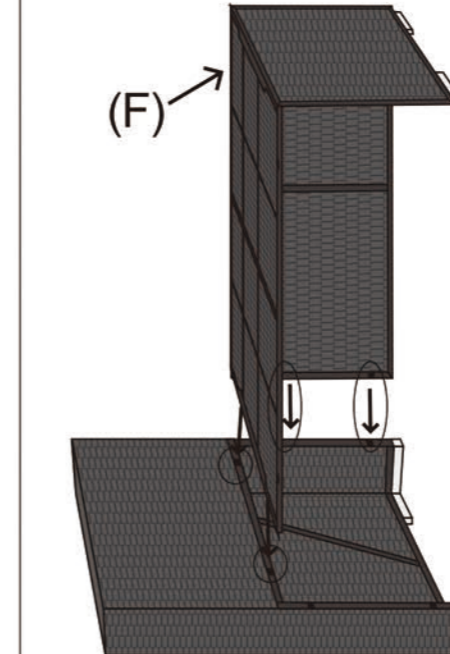
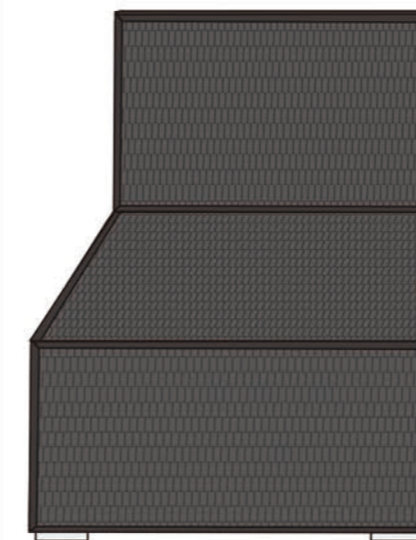


Step 2

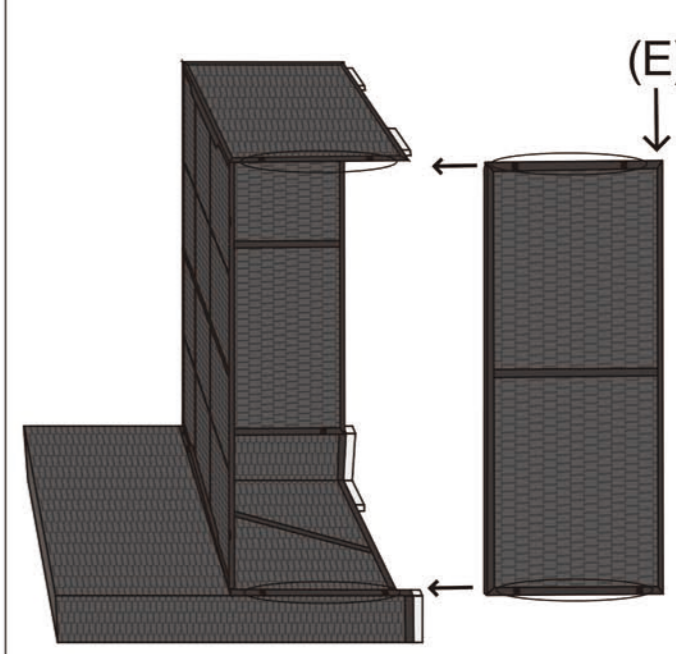


Step 3

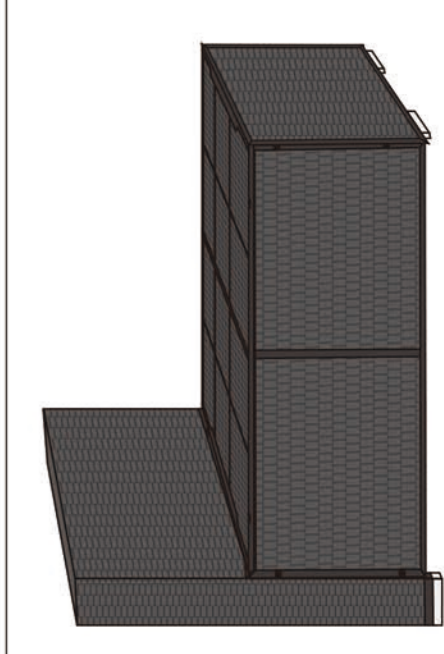
Middle Sofa



Step 1

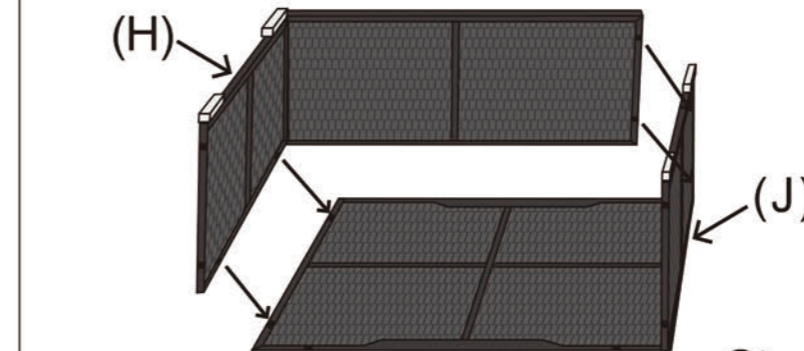
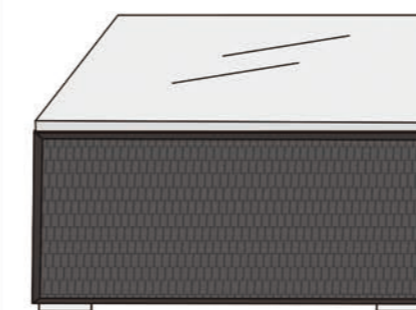


Step 2

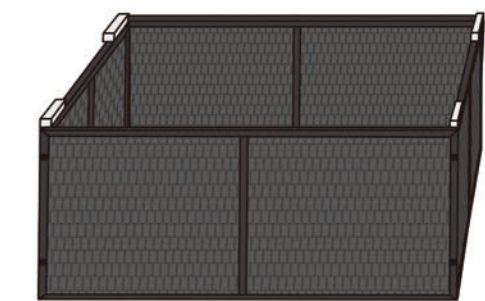


Step 3

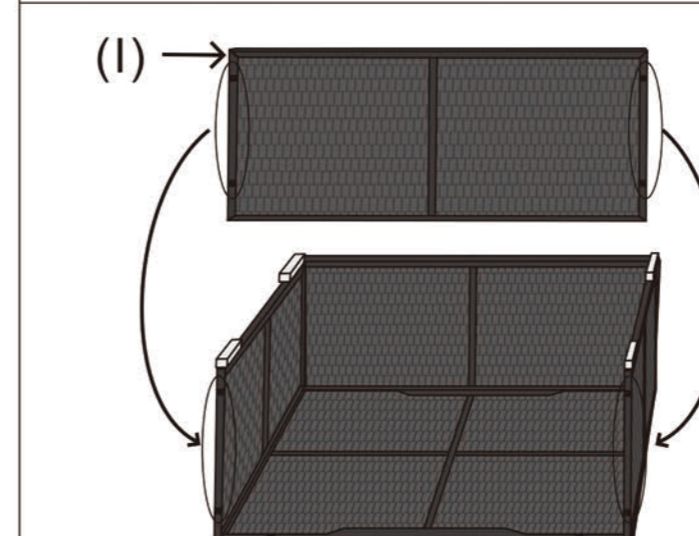
Coffee Table



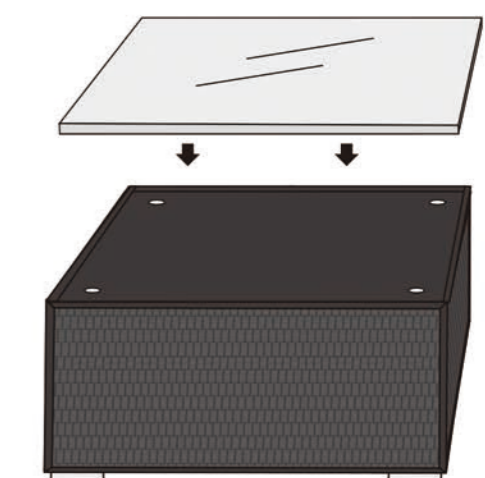
Step 1



Step 2



Step 3



Step 4