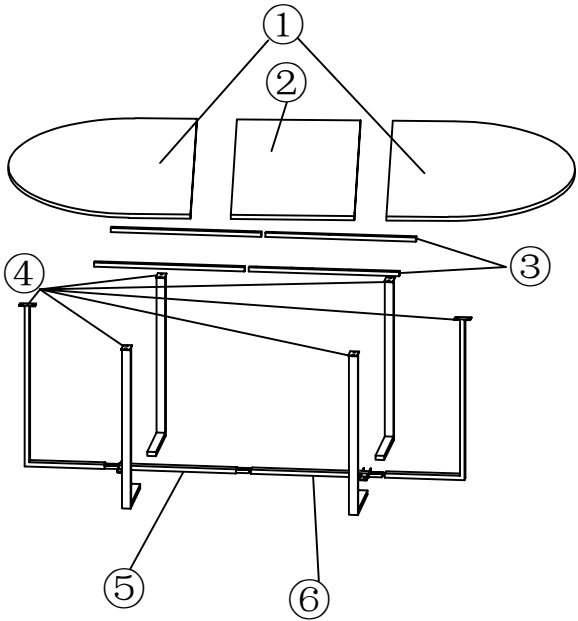
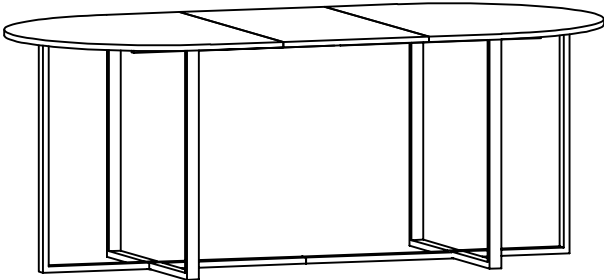
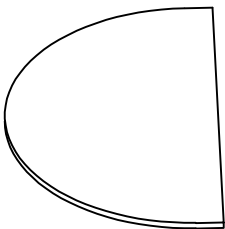


# ASSEMBLY I NSTRUCTIONS

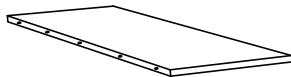


①



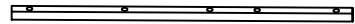
x1

②



x1

③



x4

④



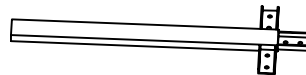
x6

⑤



x1

⑥



x1

A



8\*35mm

x20

B



8\*20mm

x12

C



8\*10mm

x14

D



8\*16mm

x32

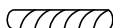
E



M5

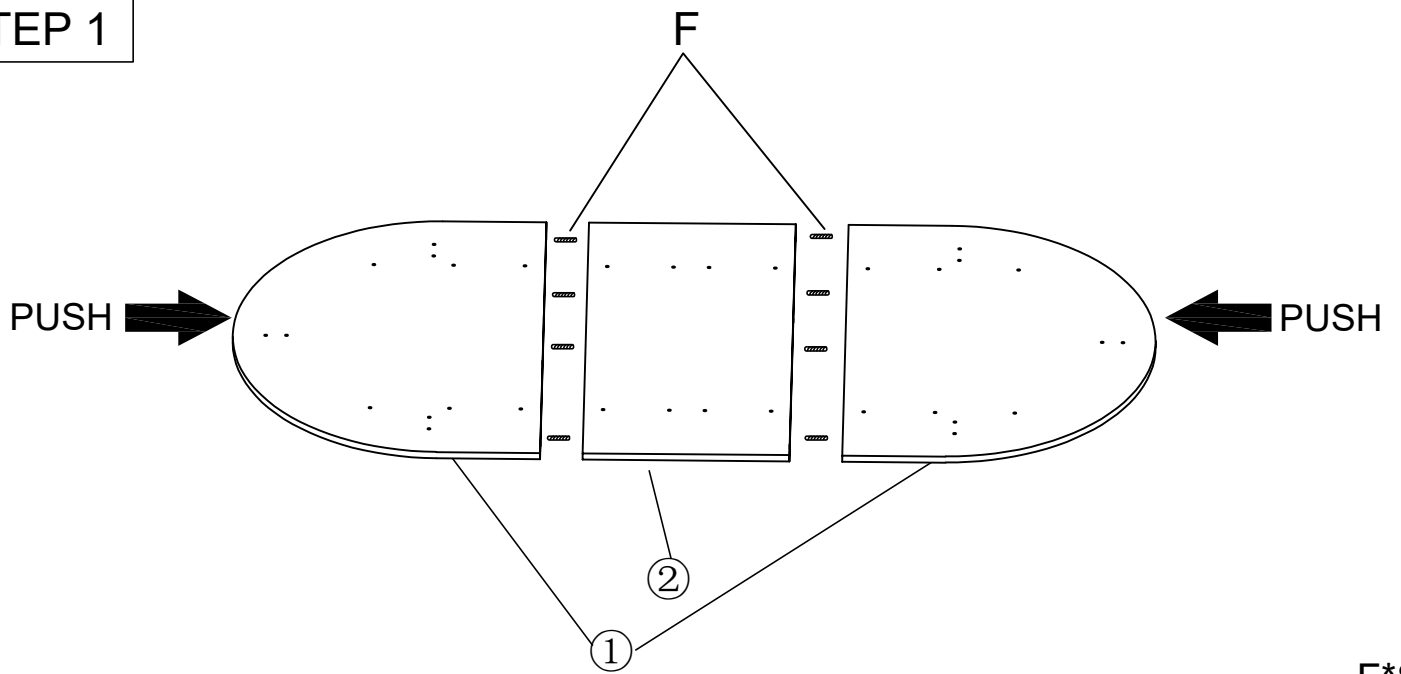
x1

F



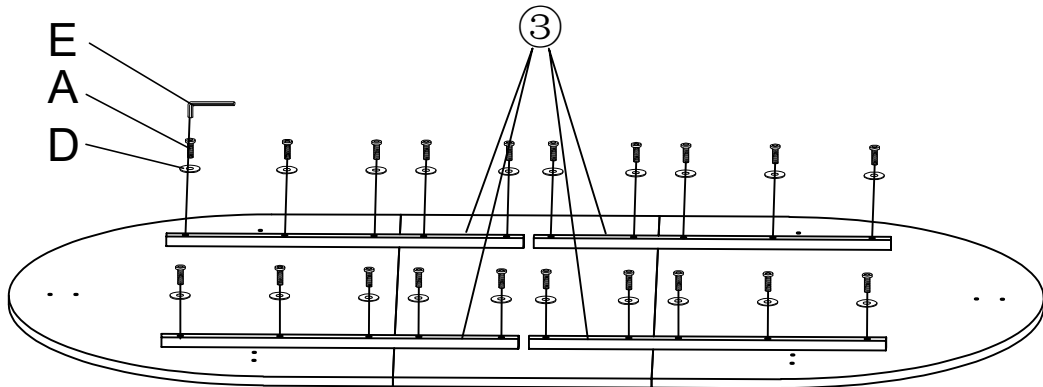
x8

STEP 1



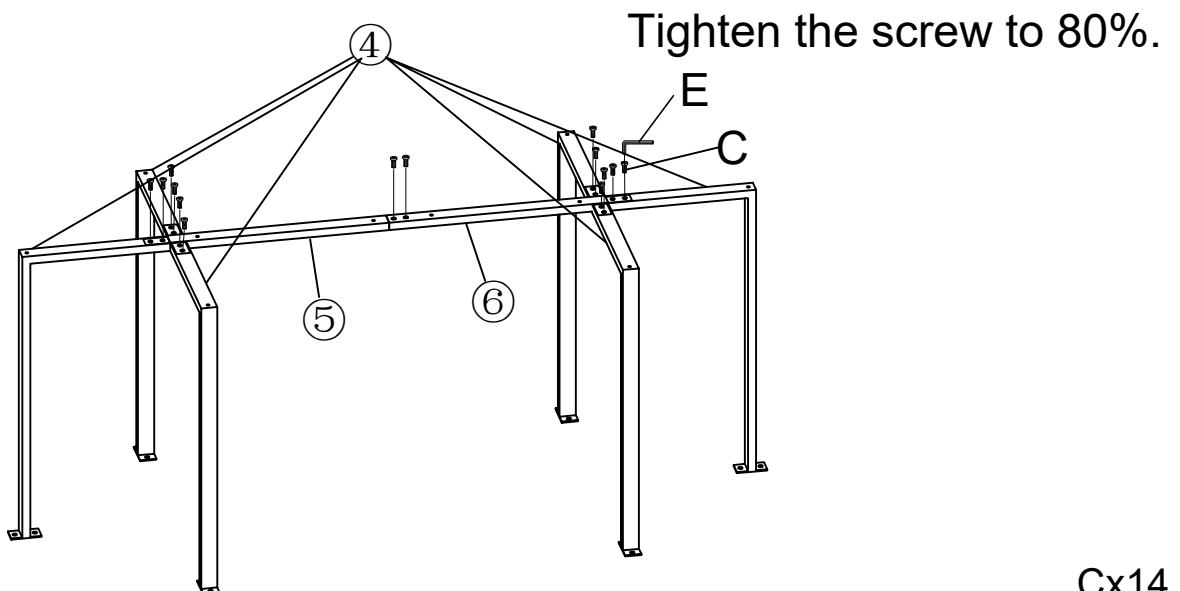
F\*8

STEP 2



A\*20  
D\*20  
Ex1

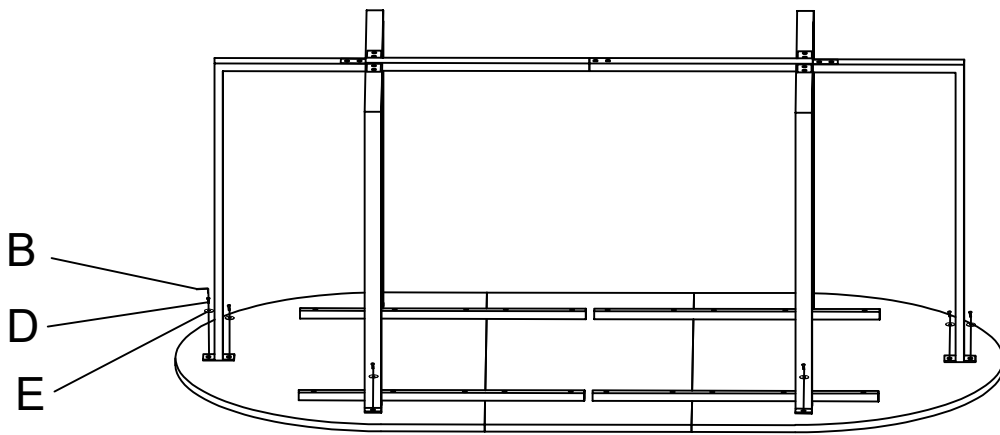
STEP 3



Cx14  
E\*1

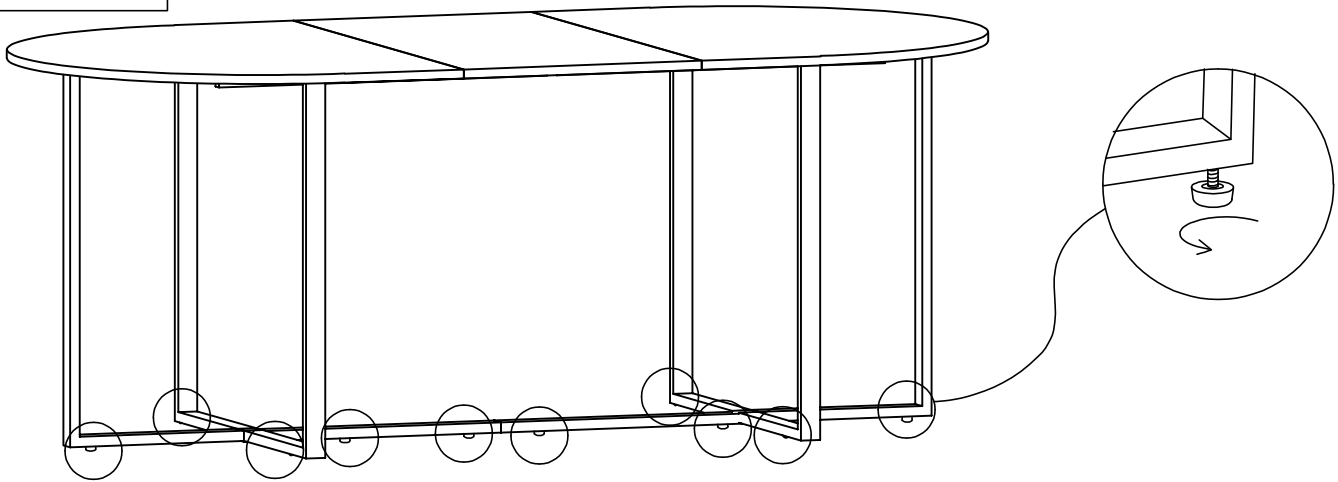
STEP 4

Tighten all screws to 100%.



Bx12  
Dx12  
Ex1

STEP 5



the table is with adjustable feet,  
if the table is not stable, please  
adjust the feet.