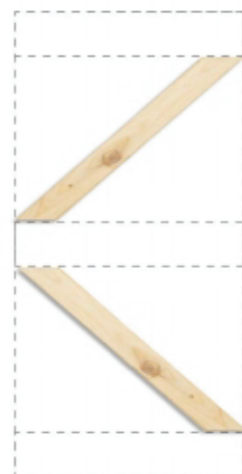
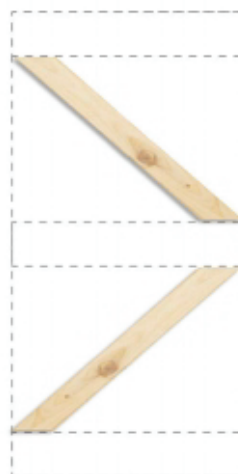
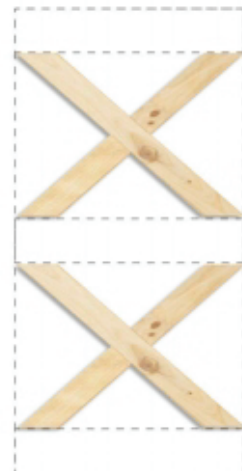
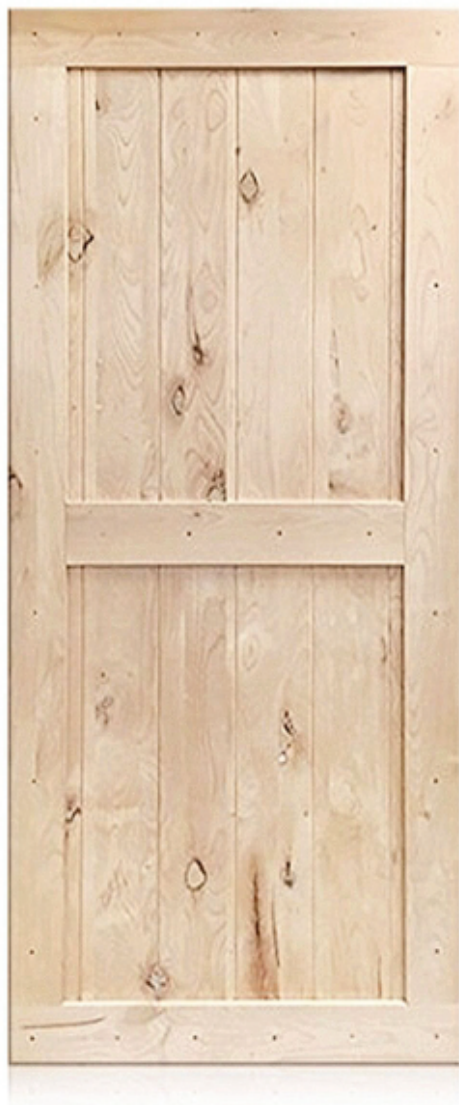




80in & 84in Height 5-in-1 Pine Wood Barn Door

Installation Manual



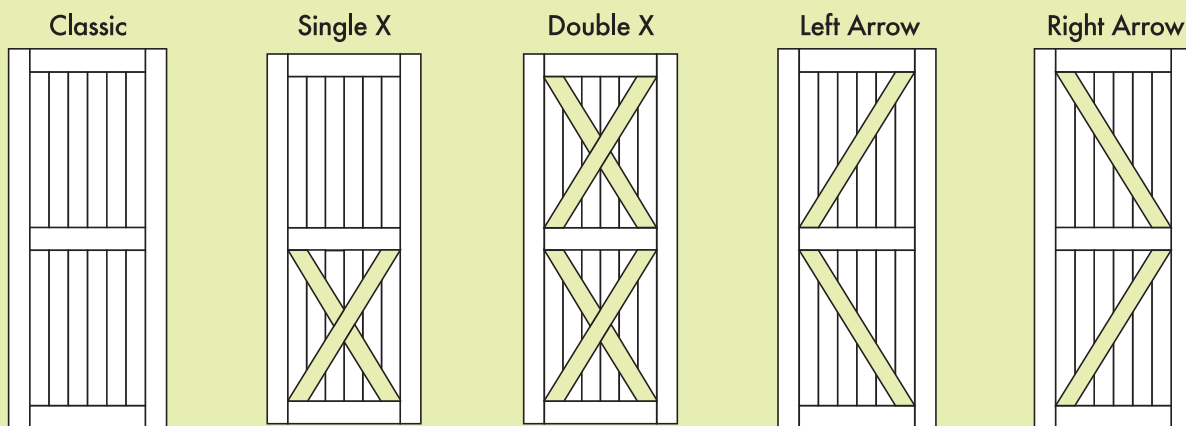
SAFETY PRECAUTIONS

!CAUTION!

- Power tools can cause serious damage if not professionally used. Safety gear must be worn before installation to prevent unexpected injuries.
- Pick an area free of hazardous condition before you start on the project. Please use tools and power tools responsibly any loss of control and accident deaths may occur due to abuse of tools.
- Big objects required in this project are needed to be carefully and responsibly moved. Be sure to wear safety gloves and shoes to prevent any serious injury.
- Be extremely careful to not put any parts of your body against a moving part of the hardware. This may cause bruising, punctures, and other results of injuries when for example when fingers are caught in the closing area of the doors.
- Precautions should be taken when opening or closing the door(s). Handles should be used when attempting to slide the door(s). Always keep you and children aware and safe from any unexpected situations.
- Any extreme uncontrolled pressure opening or closing the door(s) can damage the hardware gradually. Use handle(s) to open and close the door(s) with care at all times.

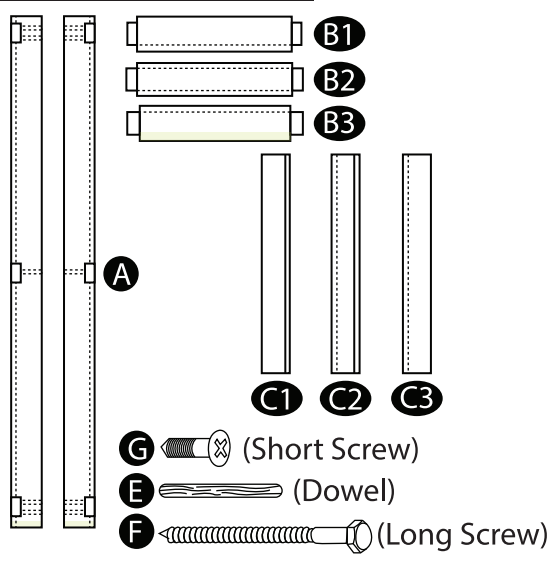

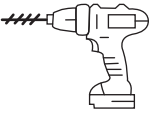
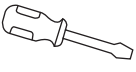
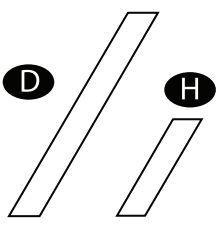
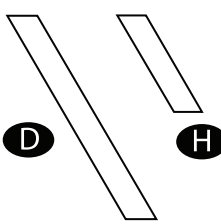
5-in-1 Barn Door Design

This package comes with all 5 designs panels that you can to make so please check page 5 & 6 to build the door design you desire.



HARDWARE INCLUDED

Please check that you have the correct quantity of hardware before installation.
Different door sizes comes with different quantity of hardware.

Main Components	Tools Needed	Decorative Panels
	 Rubber Mallet  Drill or Phillip Screw Driver 	 Reversible 

Checklist for items you should have for each door width.

Width	A	B1	B2	B3	C1	C2	C3	D	H	E	F	G
20in	2	1	1	1	2	2	2	4	8	10	10	64
22in	2	1	1	1	2	2	2	4	8	10	10	64
24in	2	1	1	1	2	4	2	4	8	10	10	64
26in	2	1	1	1	2	4	2	4	8	10	10	64
28in	2	1	1	1	2	6	2	4	8	10	10	64
30in	2	1	1	1	2	6	2	4	8	10	10	64
32in	2	1	1	1	2	6	2	4	8	10	10	64
34in	2	1	1	1	2	8	2	4	8	10	10	64
36in	2	1	1	1	2	8	2	4	8	10	10	64
38in	2	1	1	1	2	10	2	4	8	10	10	64
40in	2	1	1	1	2	12	2	4	8	10	10	64
42in	2	1	1	1	2	12	2	4	8	10	10	64
44in	2	1	1	1	2	12	2	4	8	10	10	64
46in	2	1	1	1	2	14	2	4	8	10	10	64
48in	2	1	1	1	2	14	2	4	8	10	10	64
54in	2	1	1	1	2	16	2	4	8	10	10	64
60in	2	1	1	1	2	22	2	4	8	10	10	64

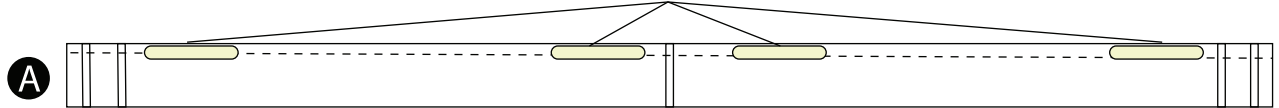
All decorative panels are included in the box, please see check list below for the panels you need to build your desired door design.

Door Design	D	H
Classic	0	0
Single X	2	4
Double X	4	8
Left Arrow	4	0
Right Arrow	4	0

INSTRUCTIONS

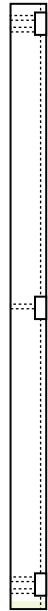
Before assembly confirm two of your A Panels has white foam dowels installed in the grooves like the diagram below. There should be 4 foam dowels in each panel. If you happen to know they are missing please contact us and let us know. These foam dowels are important for the assembly because it helps to minimize the appearance of gaps in between the C panels.

WHITE FOAM DOWELS

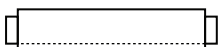



STEP 1

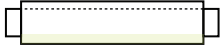
Components Needed





x1

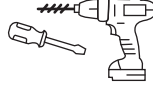
x1  **B1**

x1  **B2**


x1  **B3**

Wooden Dowel **E**  x5

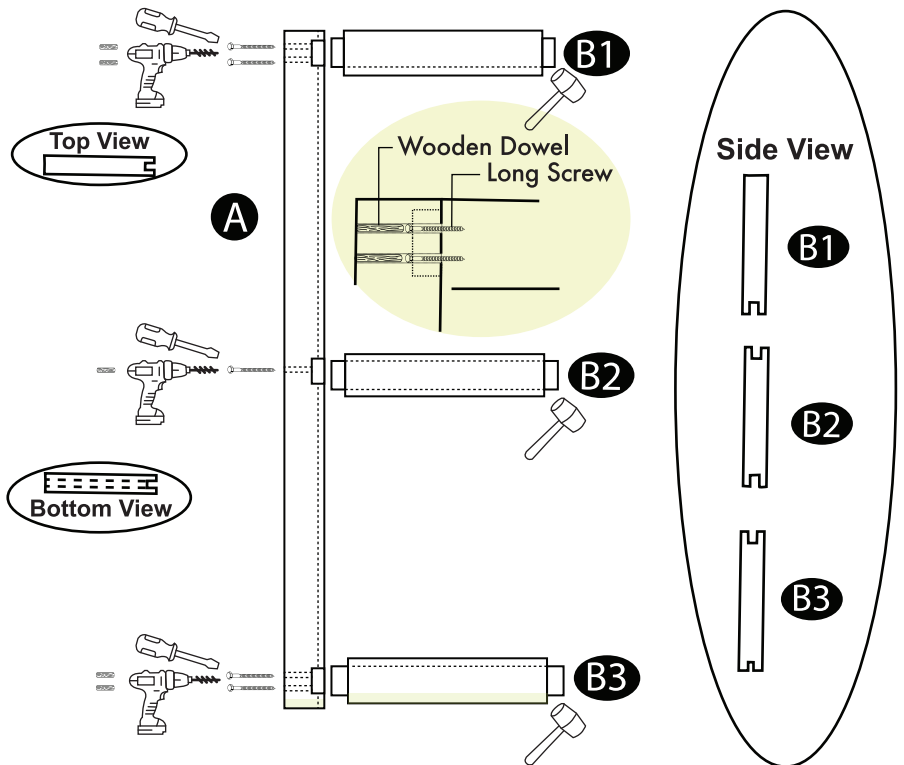
Long Screw **F**  x5



Drill or Phillip
Screw Driver

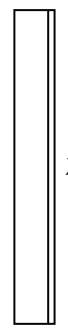


Rubber Mallet



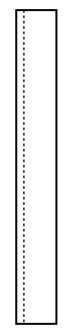
STEP 2

Components Needed



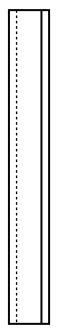
x2

C1




x2

C3

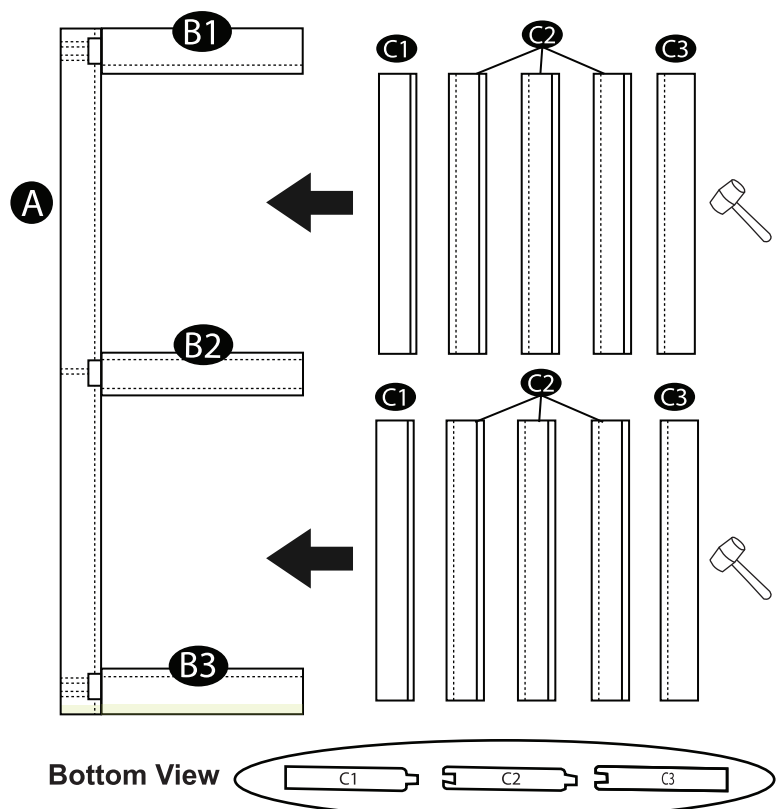


C2



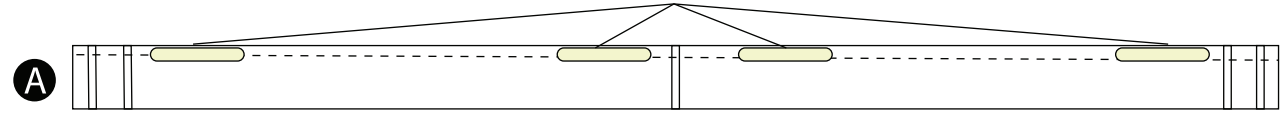
Rubber Mallet

PANEL C2 quantity varies from the size of the doors you have, please go to page 2 for the checklist.



Before assembly confirm two of your A Panels has white foam dowels installed in the grooves like the diagram below. There should be 4 foam dowels in each panel. If you happen to know they are missing please contact us and let us know. These foam dowels are important for the assembly because it helps to minimize the appearance of gaps in between the C panels.

WHITE FOAM DOWELS



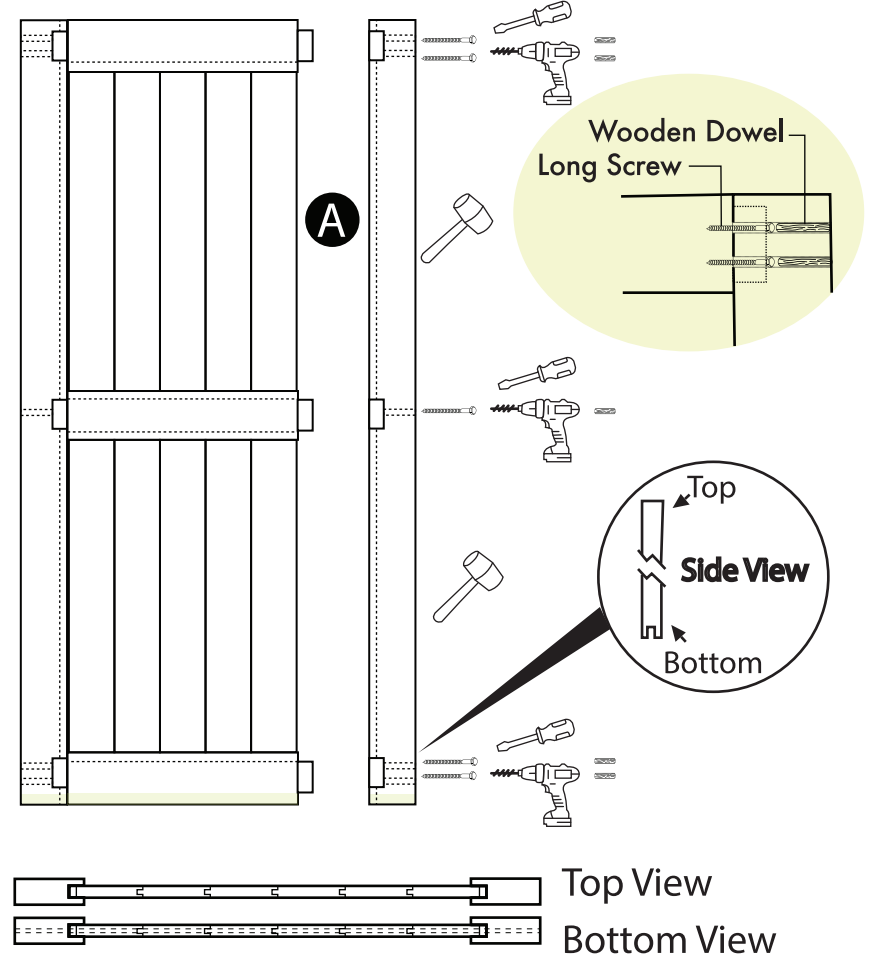
NOTICE If the gap between A and B panels occurs, remove the foam dowels from one of the A panels as the expanding foam prevents a tight closure.

STEP 3

Components Needed

- Wooden Dowel E x5
- Long Screw F x5
- Drill or Phillip Screw Driver
- Rubber Mallet

x1



ON YOUR OWN PREFERENCE

Cut down the dowels that is sticking out of the door after installing. Then sand off to smoothen the sides and the whole door to prepare for the finishes needed for your door.

If you want the classic design, your installation is complete!

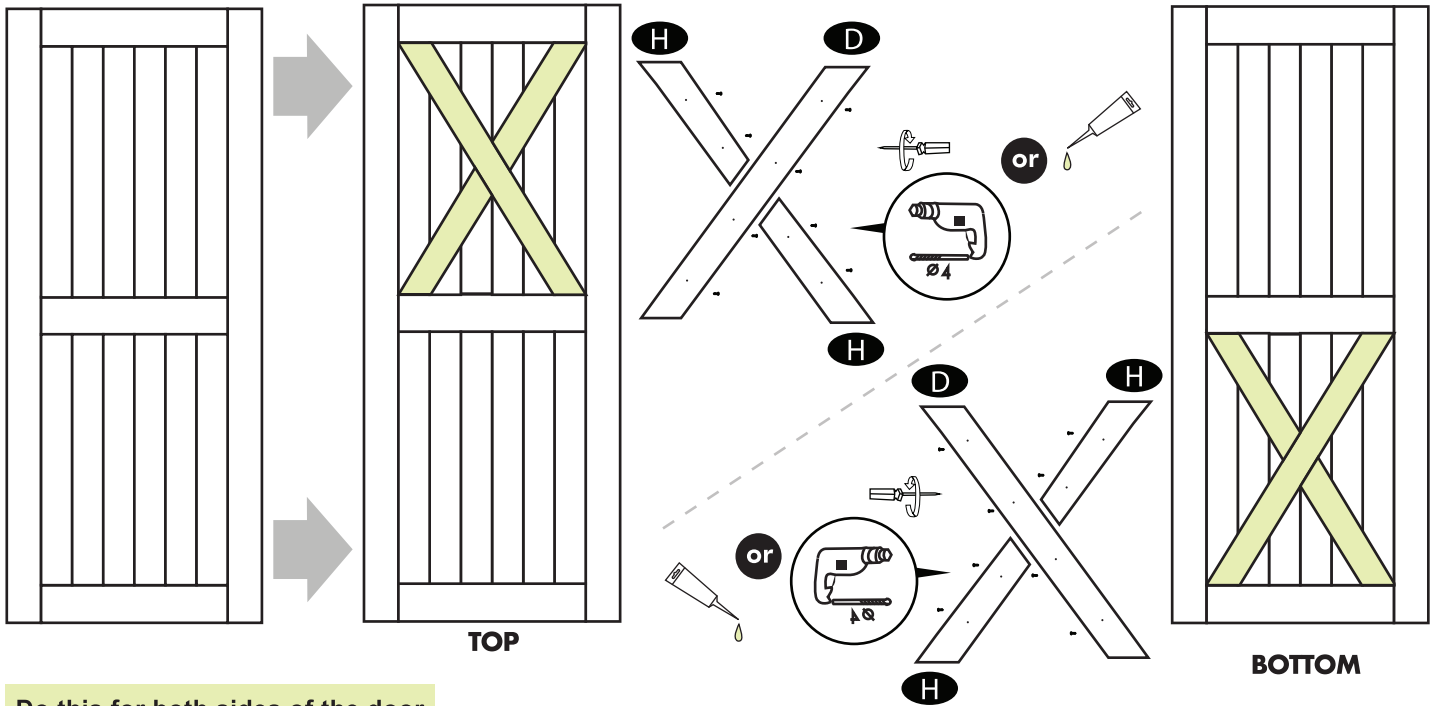
NOTICE

But if you want to build other designs besides the classic please continue to page 5.

Before installing the decorative panels make sure to differentiate the top and the bottom of the door(s). That way you can place the panels, and position it in the desired design.

Single X Door Design

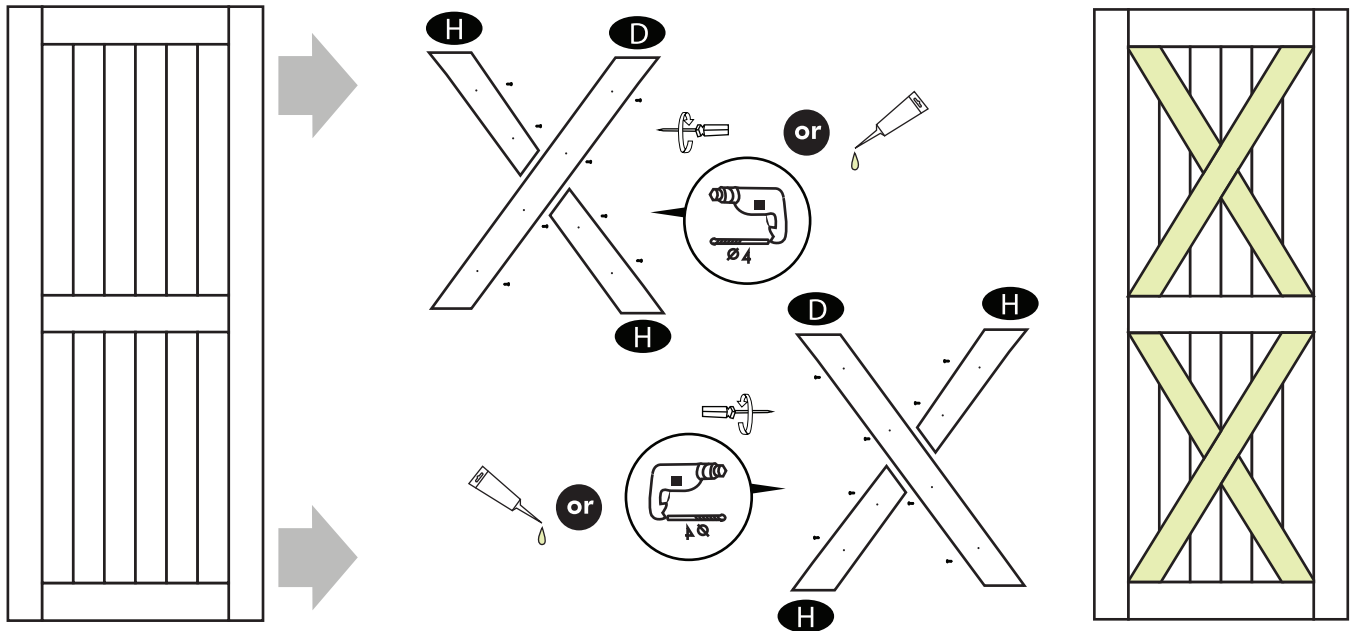
You may follow the diagram below by using the screws included or use your wood glue to get a flawless finish.



Do this for both sides of the door.

Double X Door Design

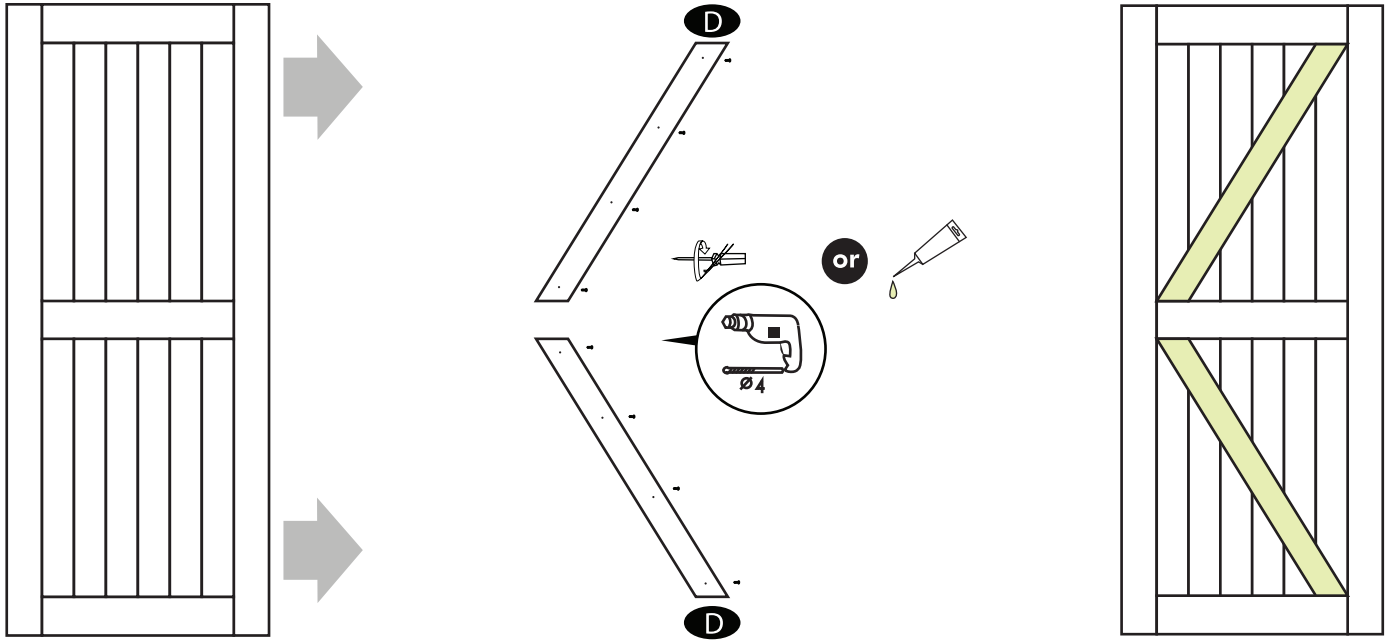
You may follow the diagram below by using the screws included or use your wood glue to get a flawless finish.



Do this for both sides of the door.

Left Arrow Door Design

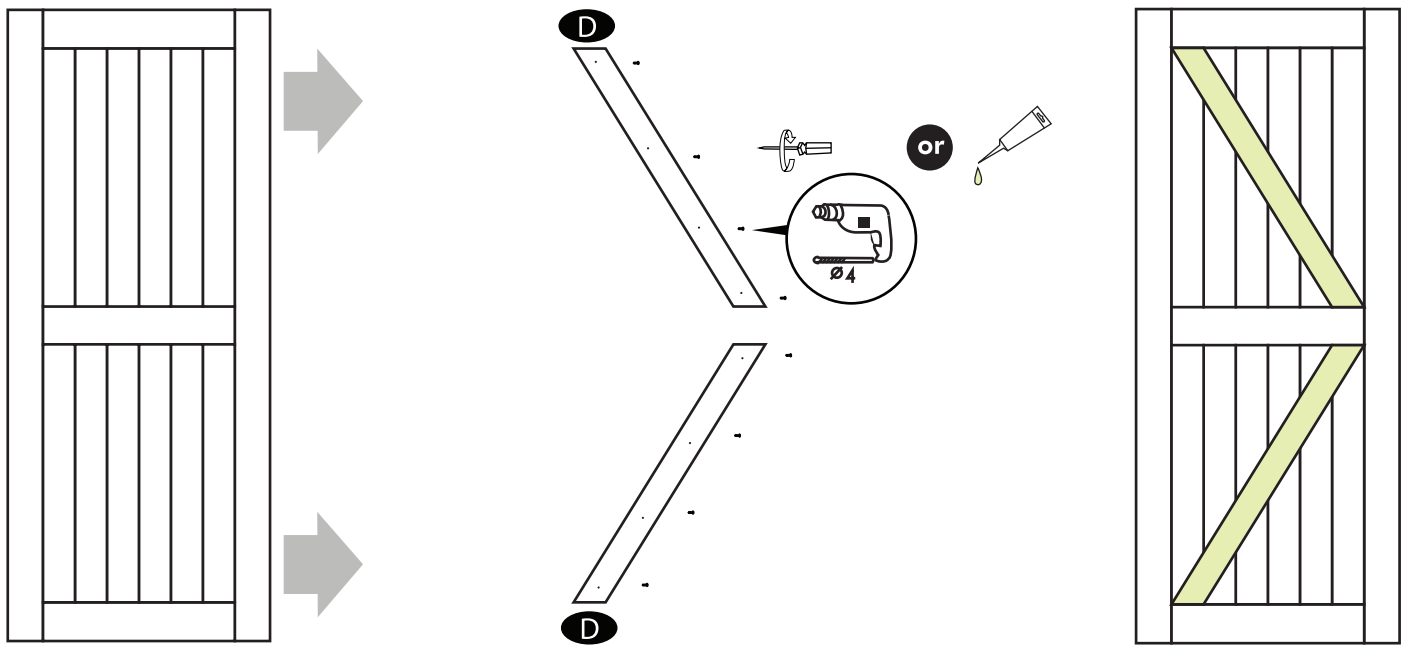
You may follow the diagram below by using the screws included or use your wood glue to get a flawless finish.



Do this for both sides of the door.

Right Arrow Door Design

You may follow the diagram below by using the screws included or use your wood glue to get a flawless finish.



Do this for both sides of the door.

YOUR INSTALLATION IS COMPLETE!



SLIDING HARDWARE / BARN DOORS

High Quality • Exquisite Design • Outstanding Services

ABOUT US

At Homacer, our goal is to provide the finest sliding barn door hardware products and services for our valued customers. We keep polishing our products to make their quality better, prices lower and installation easier. We make it possible for you to get everything you need from us when you think about installing sliding barn doors.

CONTACT US

Customer Services

Office #: 1(770) 864-5437

Website: www.homacer.com

Email us: info@homacer.com

Bulk Order Program

To learn more about bulk order program you may contact us at

Office #: 1(770)-559-5849

Website: www.homacer.com/pages/membership-program

Email us: sales@homacer.com

LOCATION

1885 Beaver Ridge Cir, Ste A
Norcross, GA 30071