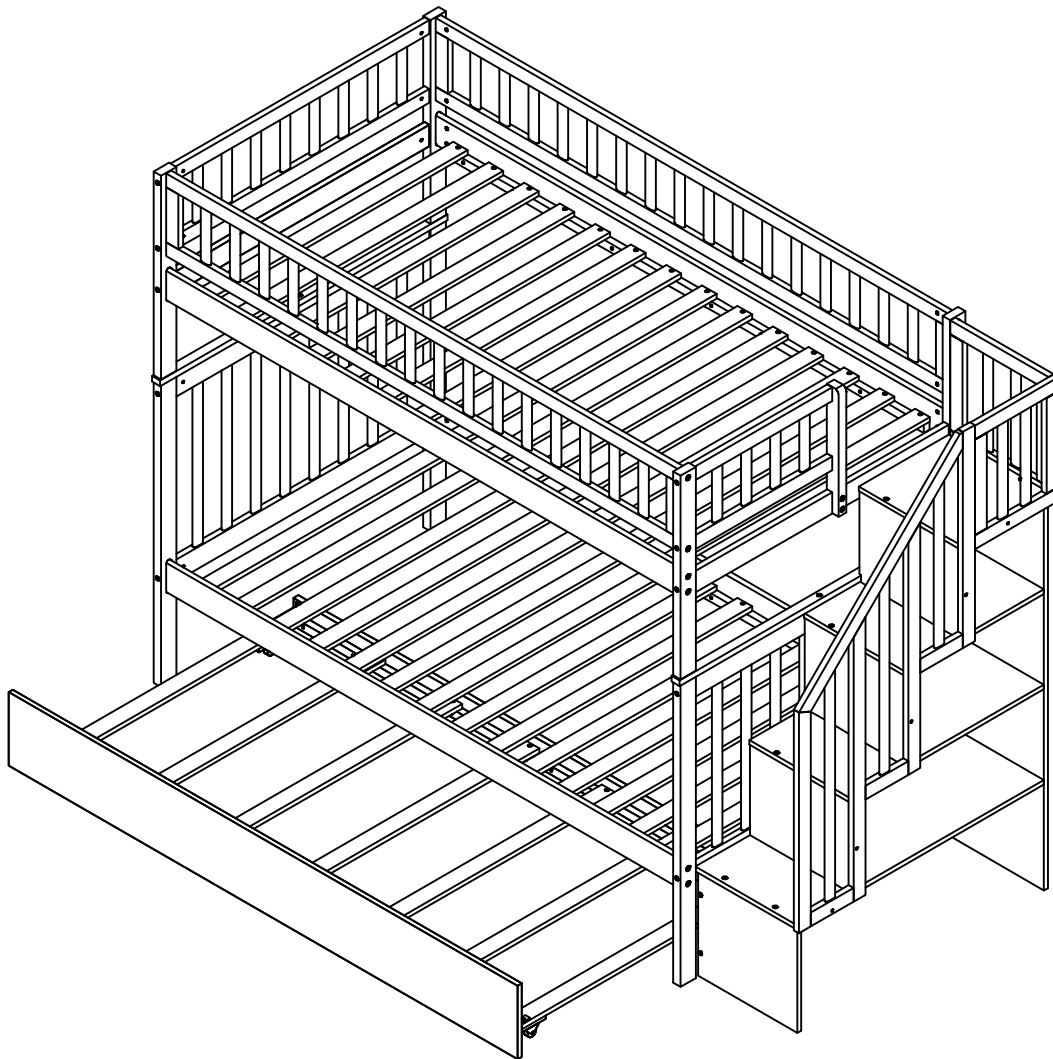


ASSEMBLY INSTRUCTIONS

TWIN/TWIN/TRUNDLE BUNK BED



This set is included 2 boxes if don't receive full 2 boxes please contact our customer service team.

If you have any questions, please feel free to contact us.

Email: service@qualfurn.net

WF286068/WF286069

SAFETY WARNINGS AND GENERAL NOTES :

Follow the information on the warnings on the bunk bed end structure and on the carton. Do not remove the warning label from the bed. Always use the recommended size mattress on mattress support, or both, to help prevent the likelihood of entrapment or falls.

The top surface of the mattress must be at least 5*inch (127mm) below the upper edge of the guardrail.

Do not allow children under 6 years of age to use the upper bunk.

Periodically check and ensure the guardrail, ladder and other components are in their proper position, free from damage, and all connectors are tight.

Do not allow horseplay on or under beds.

Always prohibit jumping on the bed.

Prohibit more than one person on upper bunk.

Always use the ladder for entering and leaving the upper bunk.

Do not use substitute parts. Contact the manufacturer or dealer for replacement parts.

Use of a night-tight may provide added safety precaution for a child using the upper bunk.

Always use guardrails on both long sides of the upper bunk.

If the bunk bed will be placed next to a wall, the guardrail that runs the full length of the bed should be placed against the wall to prevent entrapment between the bed and the wall.

The use of water or sleep flotation mattresses is prohibited.

STRANGULATION HAZARD-Never attach or hang items to any part of the bunk bed that are not designed for use with the bed.

Keep these instructions for future reference.

We recommend assembling your bunk bed on the shipping carton to protect your floor or carpet.

Be certain all staples are out of the box before beginning assembly on the shipping carton.

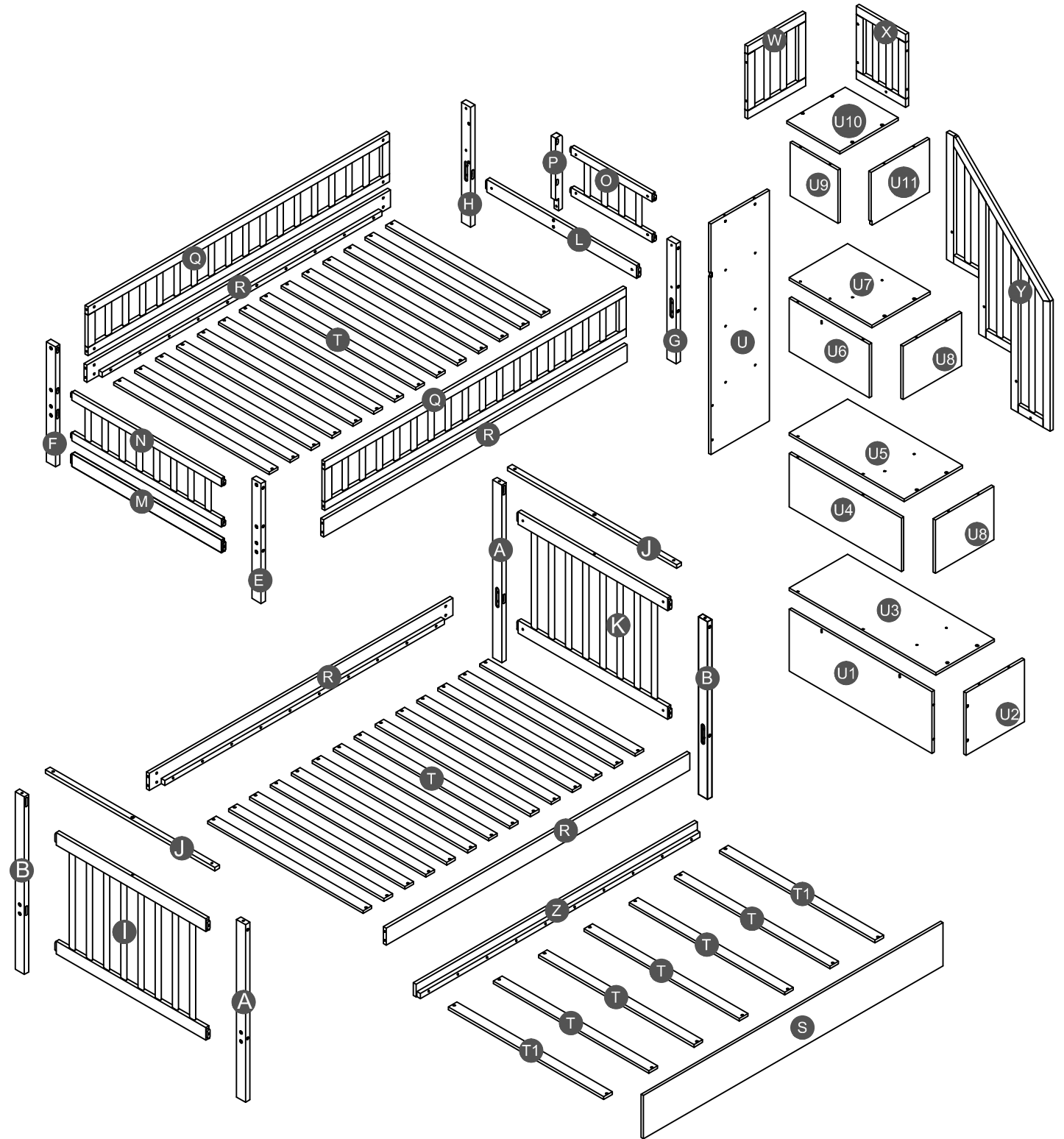
USE ONLY MATTRESSES WHICH ARE 74"-75" LONG AND 37 1/2" - 38 1/2" WIDE ON UPPER AND ON LOWER BUNKS. ENSURE THICKNESS OF MATTRESS DOES NOT EXCEED 6".

SURFACE OF MATTRESS MUST BE AT LEAST 5" (127MM) BELOW THE UPPER EDGE OF GUARDRAILS.

Replacement Parts:

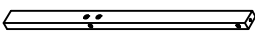
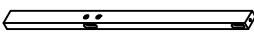



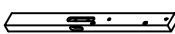

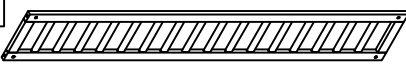

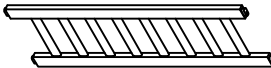
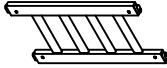
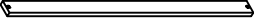
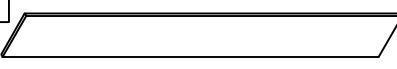
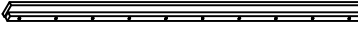
Replacement Parts, including additional guardrails, may be obtained from any of our (GIGACLOUD TECHNOLOGY (USA) INC.) dealers

Detail View

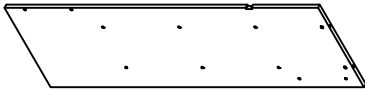
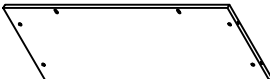
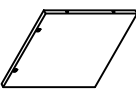
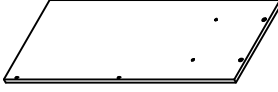
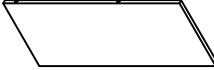
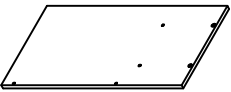

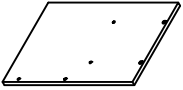
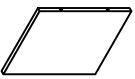



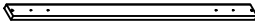

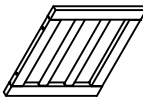


Part List

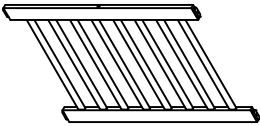
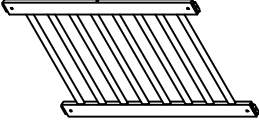
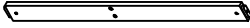
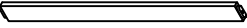
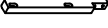
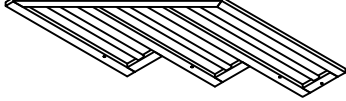
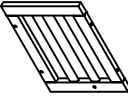
Hardware List WF286068

A  Lower leg(Left) - 2pcs	B  Lower leg (Right)- 2pcs	E  Upper leg(Left front) - 1pc
F  Upper leg(Right back) - 1pc	G  Upper leg (Right front)- 1pc	H  Upper leg (Left back)- 1pc
J  Cap for lower HB&FB-2pcs	Q  Upper front & back side rail-2pcs	R  Lower&upper side rail - 4pcs
N  Upper HB - 1pc	O  Upper FB - 1pc	T  Slats - 28pcs
S  Trundle front panel - 1pc	Z  Trundle back panel - 1pc	


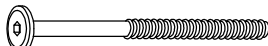
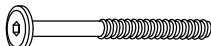
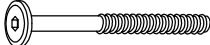




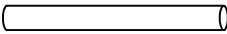


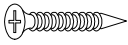

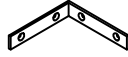

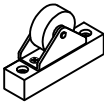
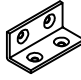
WF286069

U  Back panel - 1pc	U1  Lower left side panel - 1pc	U2  Lower front panel - 1pc
U3  Lower step ladder panel -1pc	U4  Lower center left side panel - 1pc	U5  Lower center step ladder panel -1pc
U6  Upper center left side panel - 1pc	U7  Upper center step ladder panel -1pc	U8  Center front panel - 2pcs
U9  Upper left side panel - 1pc	U10  Upper step ladder panel -1pc	U11  Upper front panel - 1pc
T1  Trundle Slats - 2pcs	T  Trundle Slats - 5pcs	W  Upper guard back - 1pc

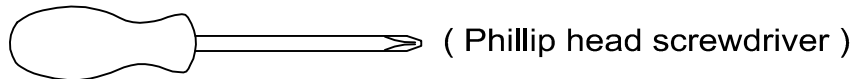
Part List

I  Lower HB - 1pc	K  Lower FB - 1pc	L  Horizontal upper bar FB-1pc
M  Horizontal upper bar HB-1pc	P  Support guard rail - 1pc	Y  Guard side - 1pc
X  Upper guard side - 1pc		

Hardware List

1	 Ø8*30mm Wood dowel (12pcs)	2	 (Ø15)1/4"*100mm Hex-Head bolts (18pcs)	3	 (Ø15)1/4"*80mm Hex-Head bolts (24pcs)
4	 (Ø12)1/4"*70mm Hex-Head bolts (2pcs)	5	 (Ø12)1/4"*60mm Hex-Head bolts (37pcs)	6	 (Ø12)1/4"*35mm Hex-Head bolts (2pcs)
7	 (Ø12)1/4"*30mm Hex-Head bolts (3pcs)	8	 1/4"*15 (9.5mm) Horizontal-Hole bolts(79pcs)	9	 Ø9*90mm Connecting bar (4pcs)
10	 (Ø12)1/4"*40mm Hex-Head bolts (2pcs)	11	 (1/4")4.5*58mm Allen key (1pc)	12	 Ø4*30mm Wood screws (78pcs)
13	 Ø1/4"*19*2mm Flat Washer (3pcs)	14	 95*95*18*3mm Metal bracket (2pcs)	15	 Ø3.5*15mm Wood screws (16pcs)
16	 100*63*20mm Wheels (4pcs)	17	 40*18*18*2mm Metal bracket (2pcs)		

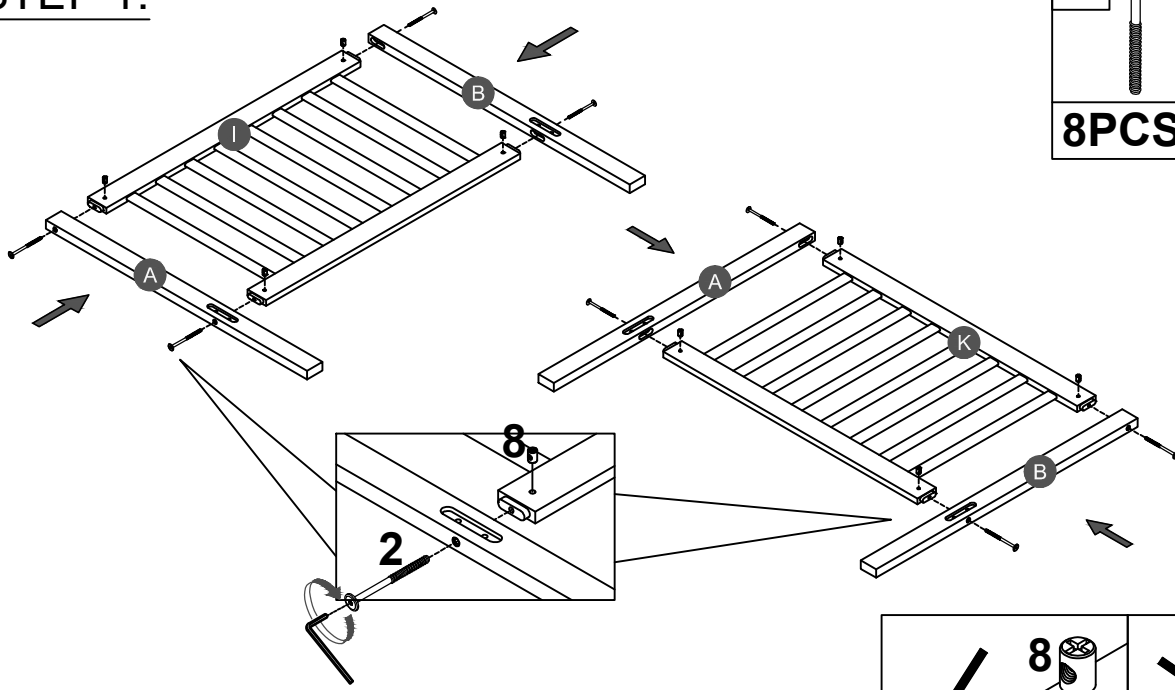
ASSEMBLY TOOLS REQUIRED (NOT INCLUDED)





DO NOT USE POWER TOOLS TO ASSEMBLE THIS PRODUCT !

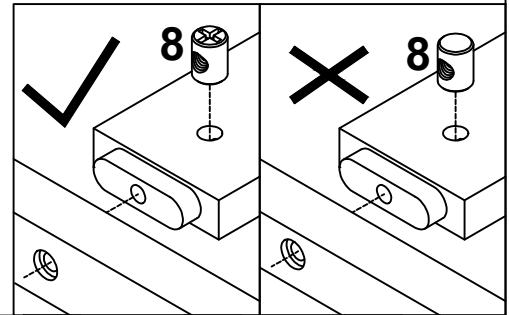
Remark: We recommend you assemble your bed in the flat ground.

STEP 1:

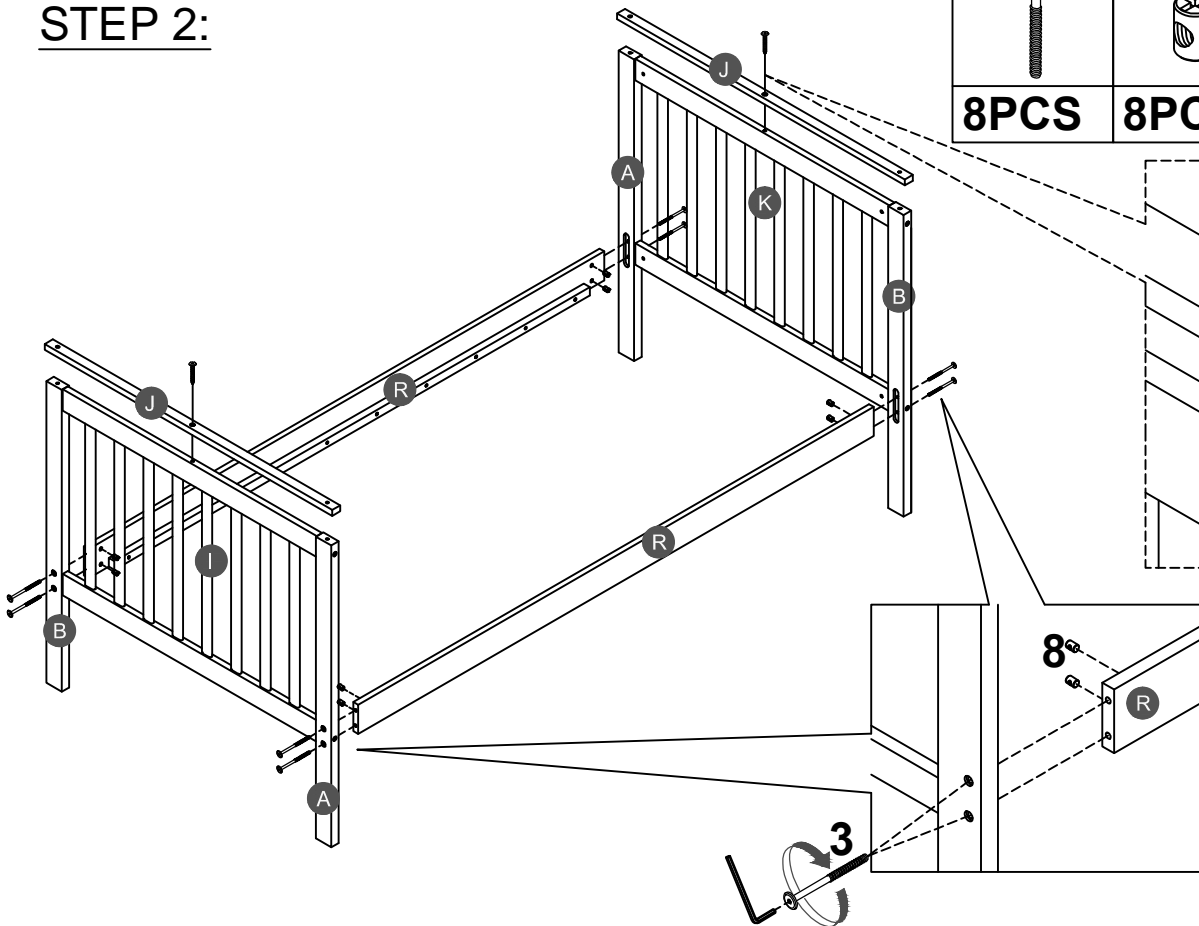




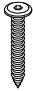
2		8	
8PCS		8PCS	

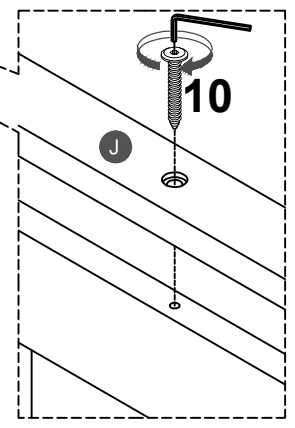
Note: Part 8 will face up with the "x" mark on it, otherwise it cannot be tightened







STEP 2:

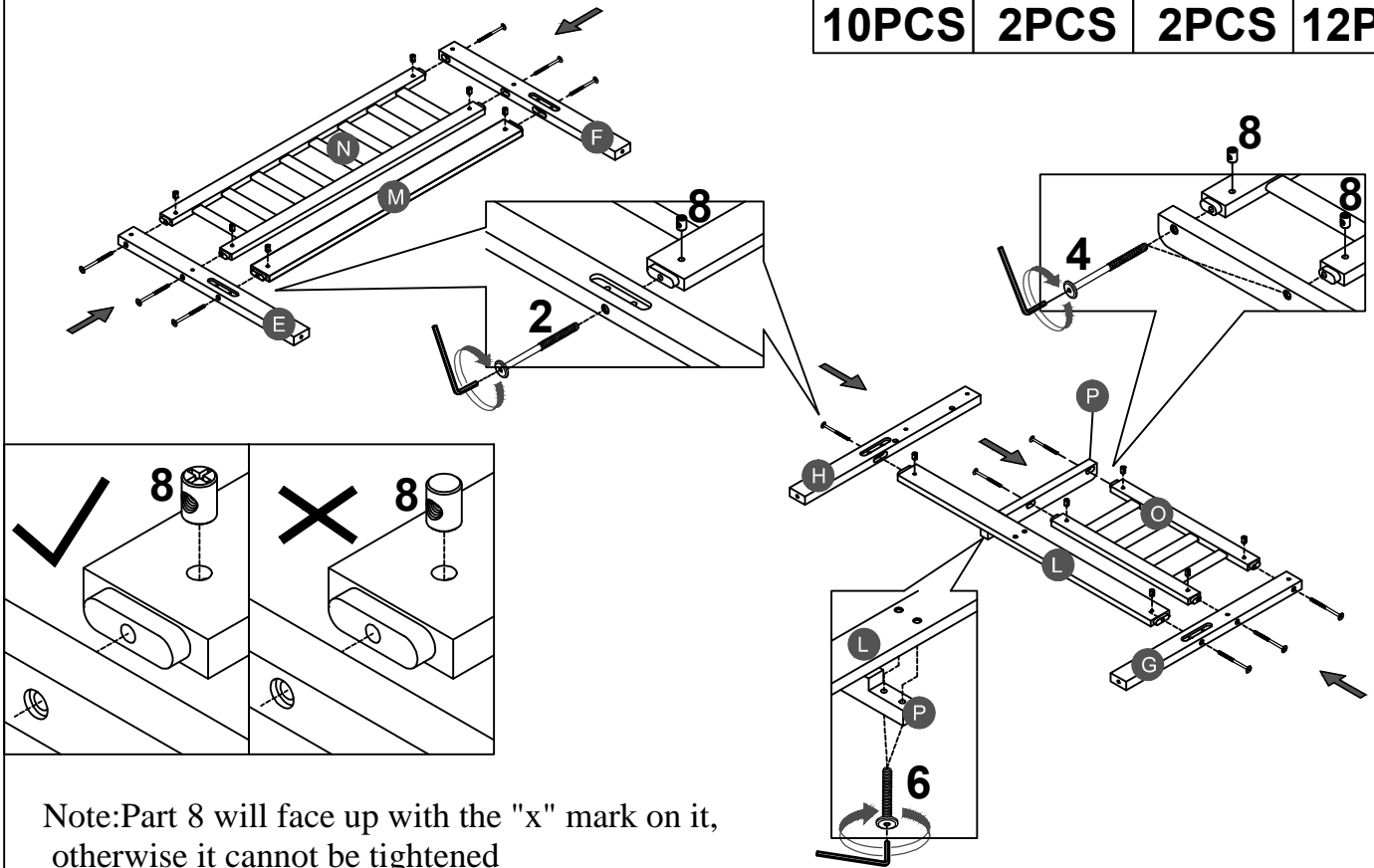


3		8		10	
8PCS		8PCS		2PCS	



STEP 3:



2		4		6		8	
10PCS		2PCS		2PCS		12PCS	

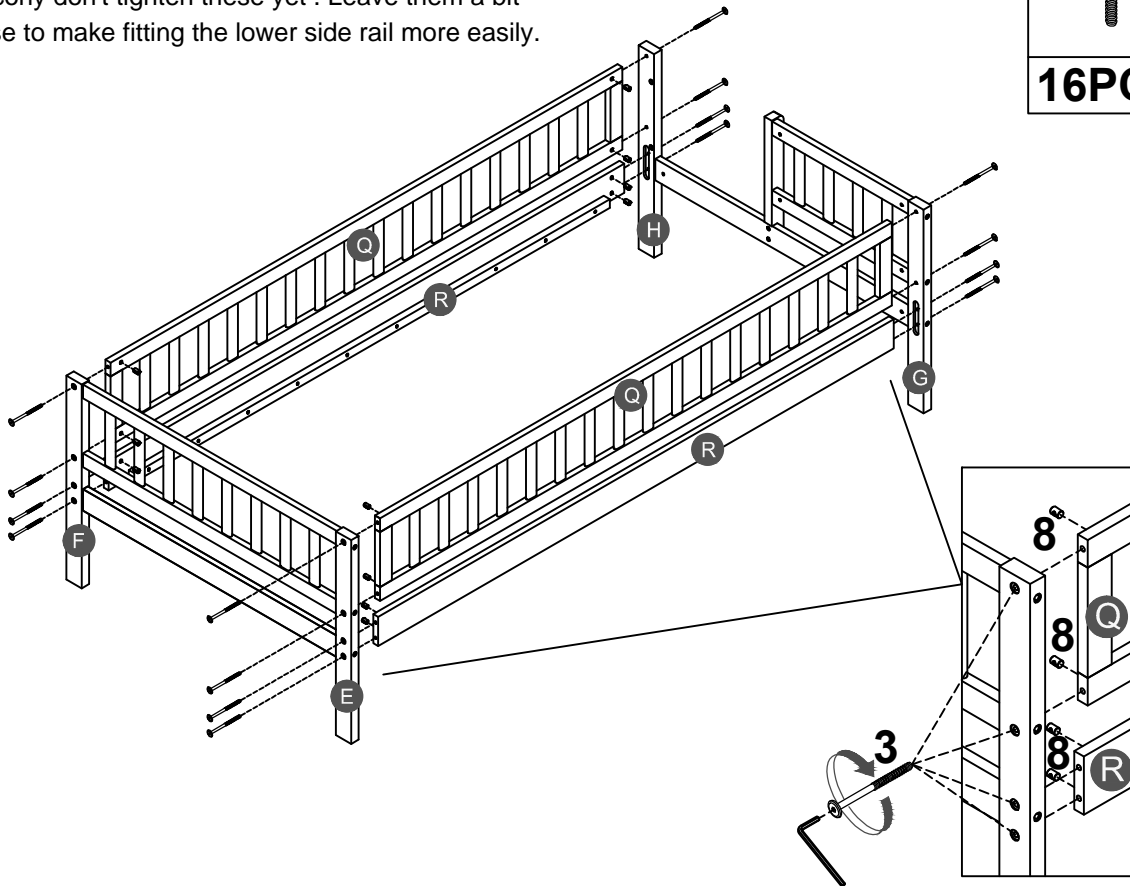


Note: Part 8 will face up with the "x" mark on it, otherwise it cannot be tightened


STEP 4:

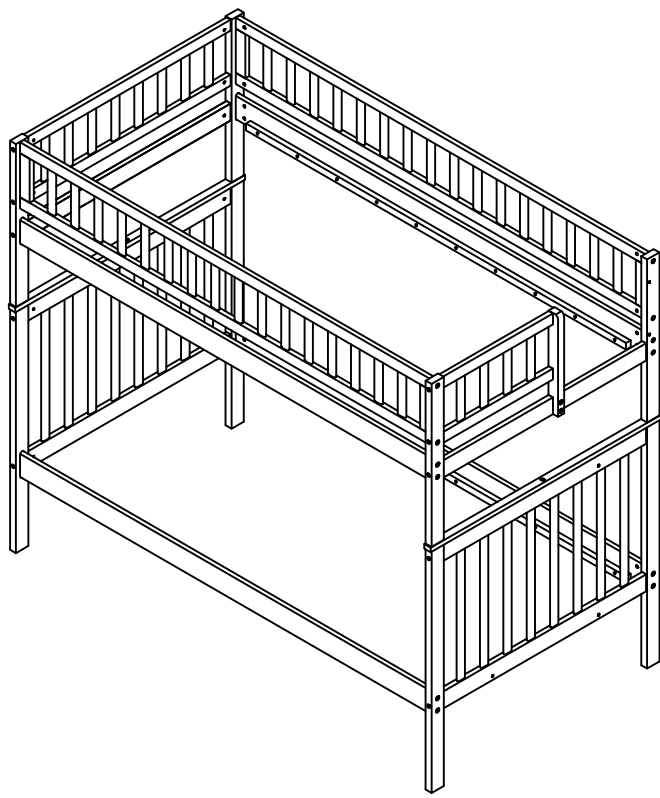
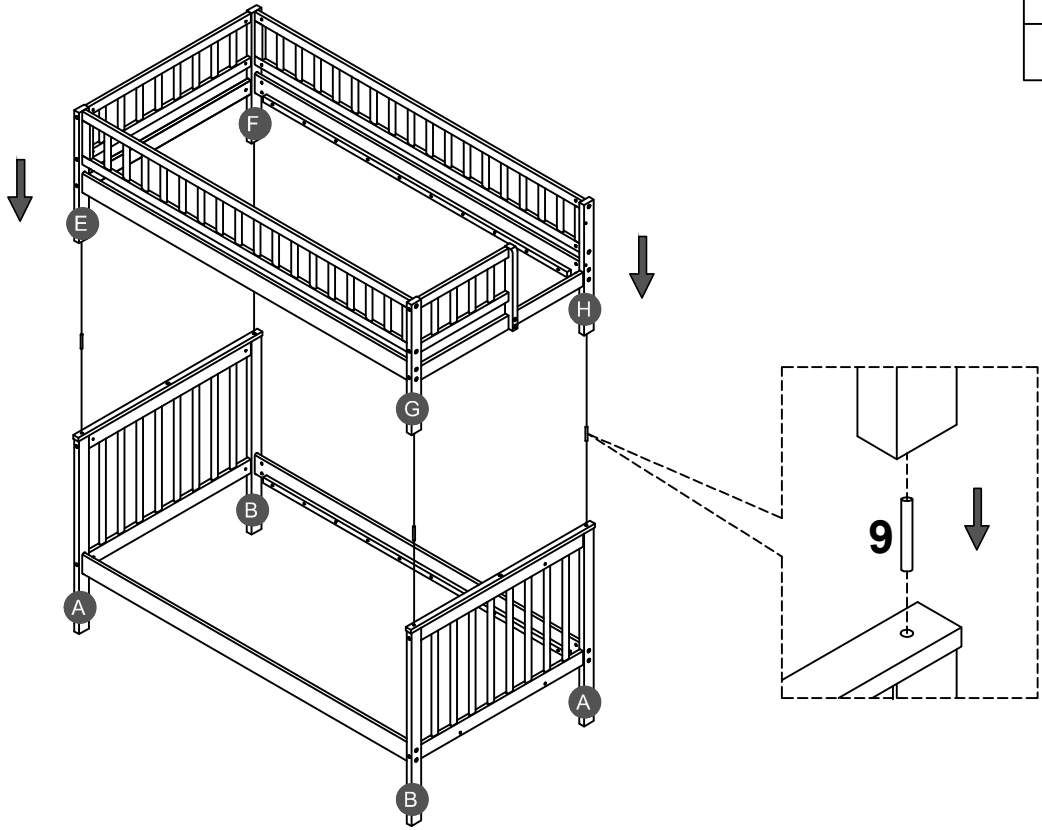
Balcony don't tighten these yet . Leave them a bit loose to make fitting the lower side rail more easily.

3		8	
16PCS		16PCS	






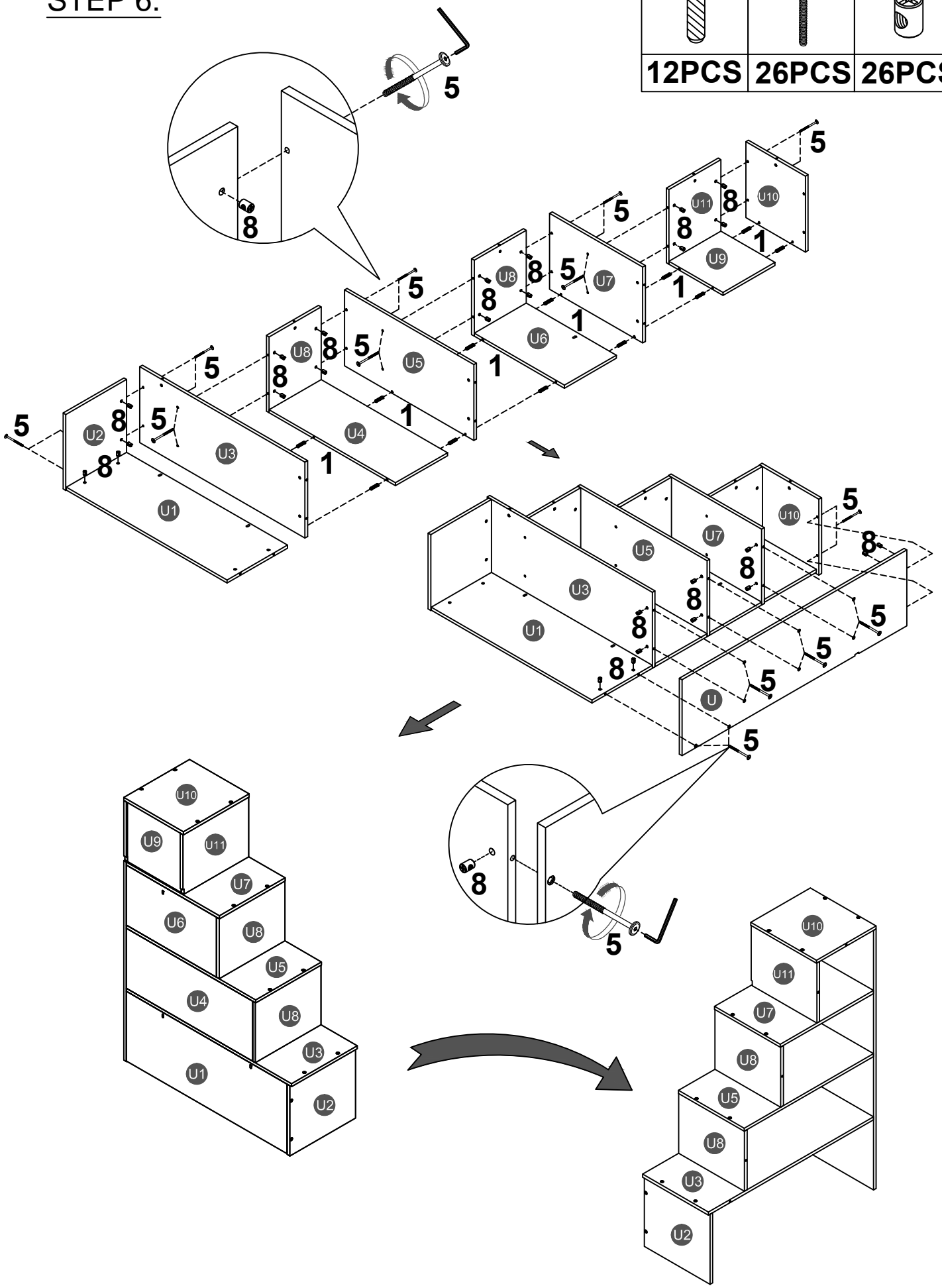
STEP 5:

9	
4PCS	







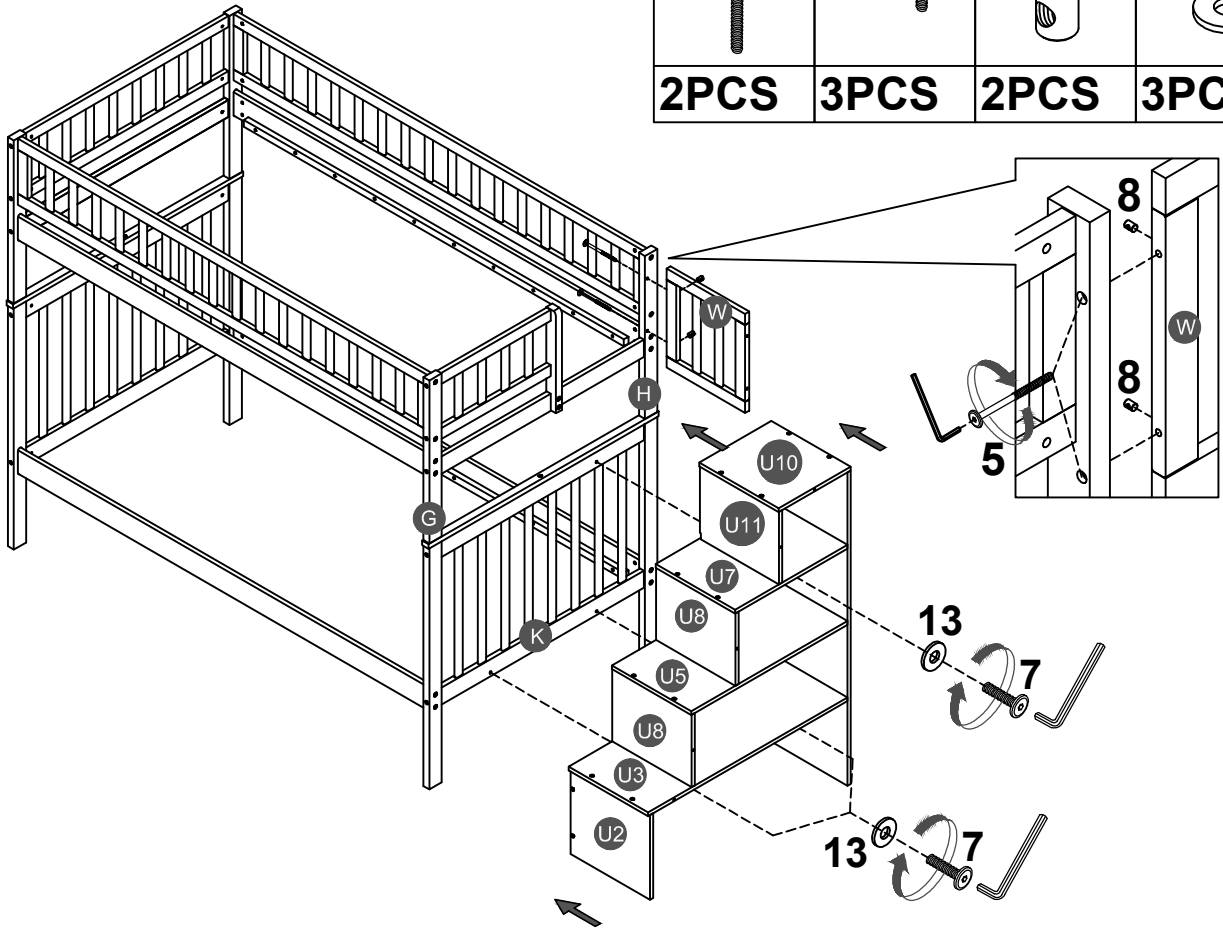
STEP 6:

1		5		8	
12PCS		26PCS		26PCS	





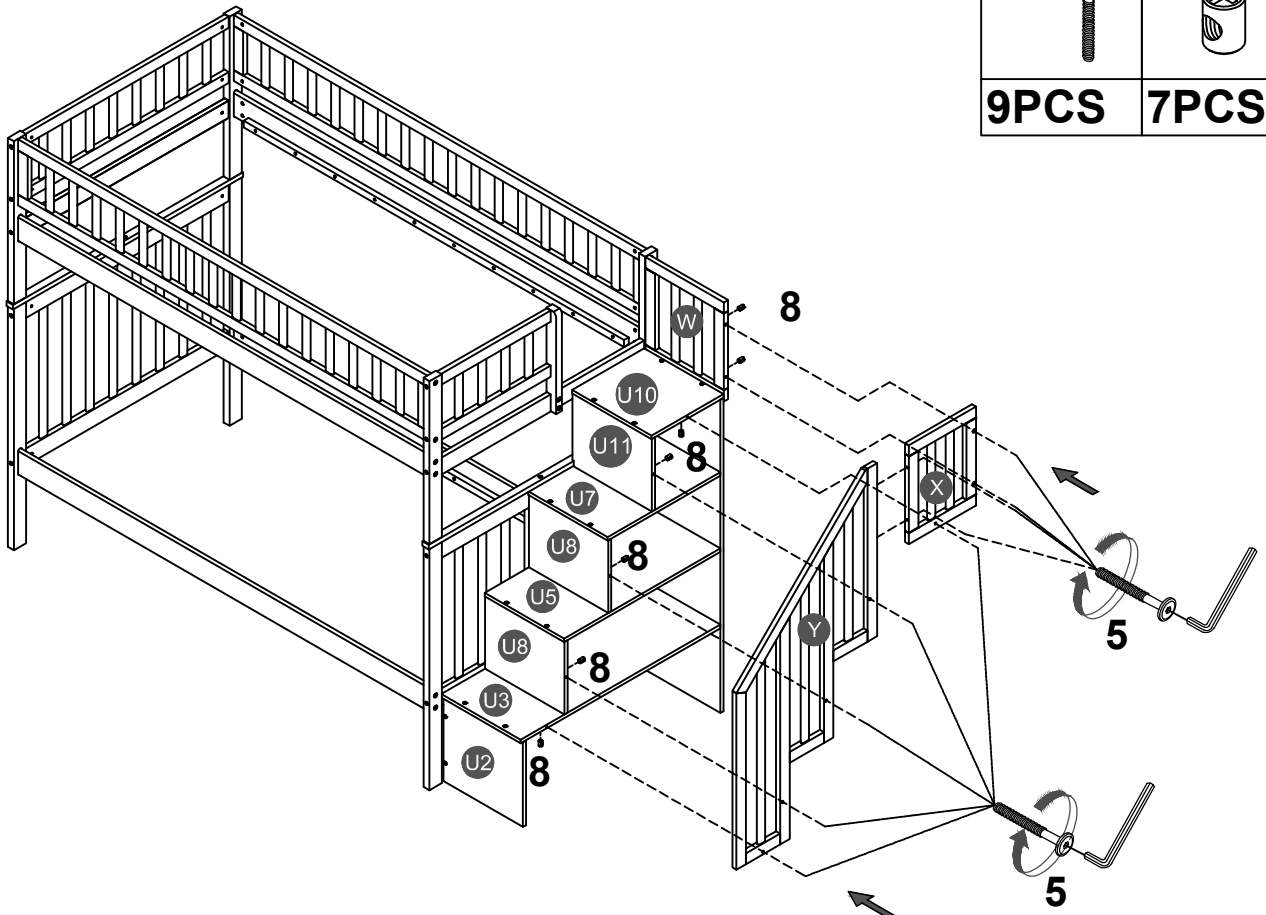
STEP 7:

5		7		8		13	
2PCS		3PCS		2PCS		3PCS	



STEP 8:

5		8	
9PCS		7PCS	

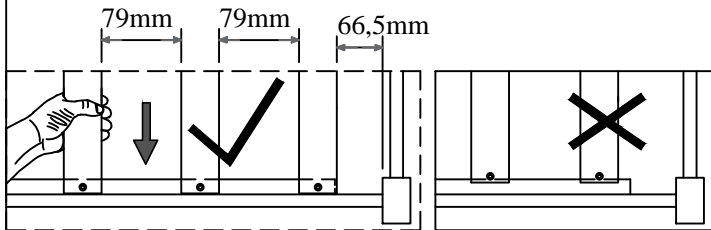
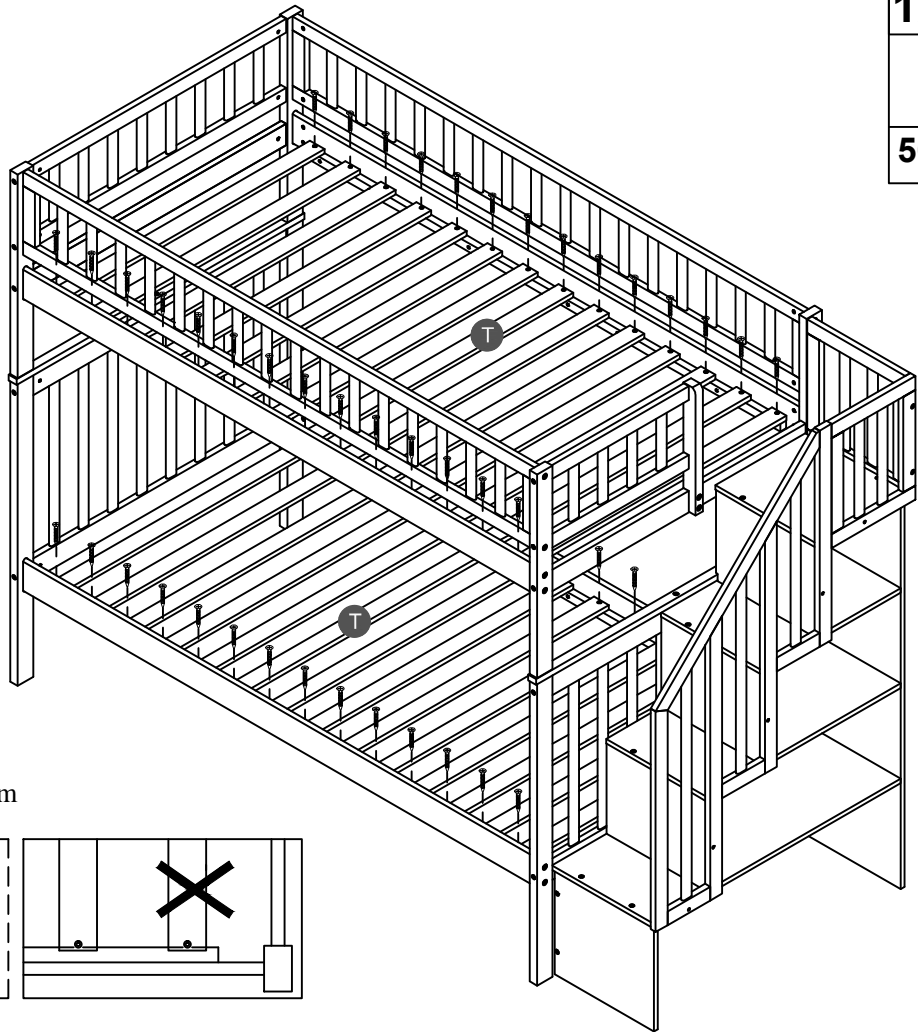
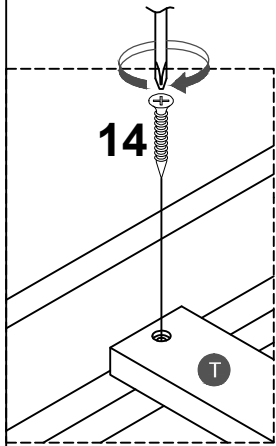


STEP 9:

12



56PCS



Note: Do not lock the screws of the bed slats to the outermost edge of the bed slats, you need to leave a certain space at the edges, otherwise it will cause the board to break. Do not lock the bed slats on the edge of the wood, please hold firmly before screwing, hold it in place with one hand, then lock the screw.

STEP 10:

12

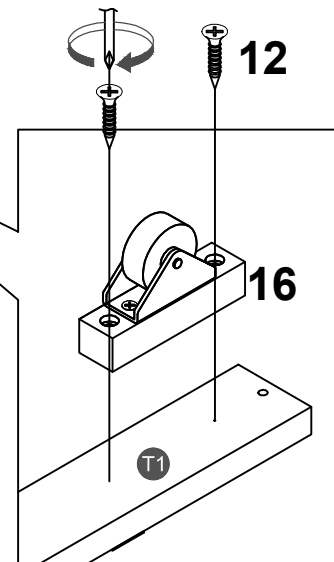
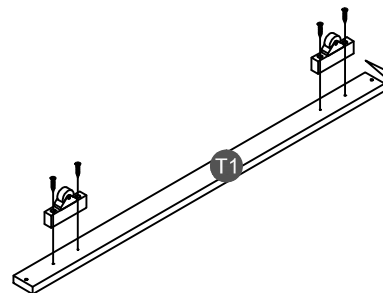
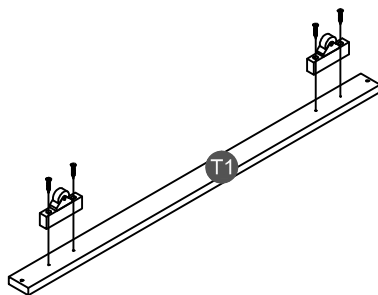


8PCS

16



4PCS

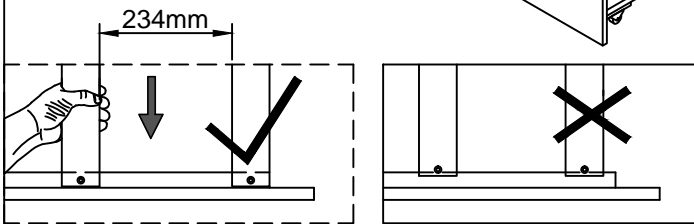
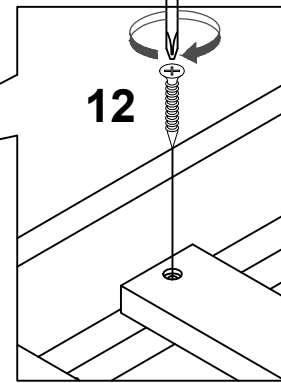
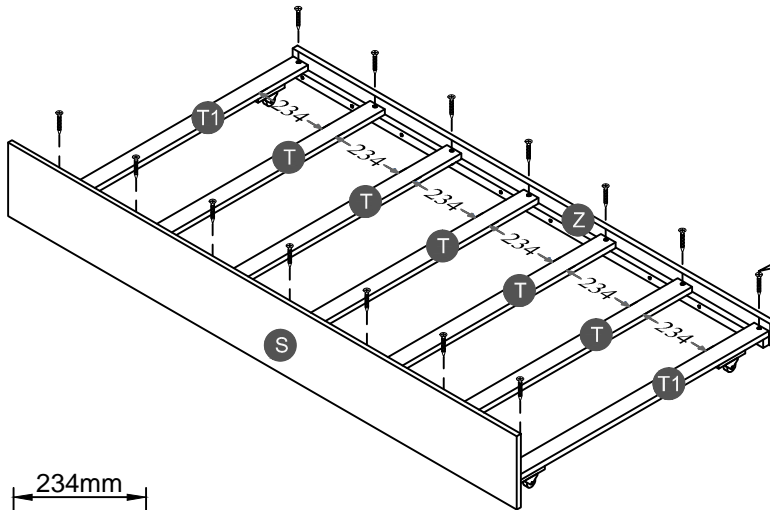


STEP 11:

12



14PCS



Note: Do not lock the screws of the bed slats to the outermost edge of the bed slats, you need to leave a certain space at the edges, otherwise it will cause the board to break.
Do not lock the bed slats on the edge of the wood, please hold firmly before screwing, hold it in place with one hand, then lock the screw.

STEP 12:

14

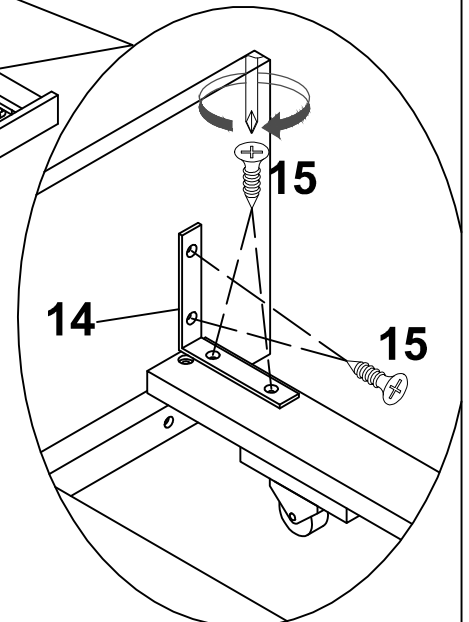
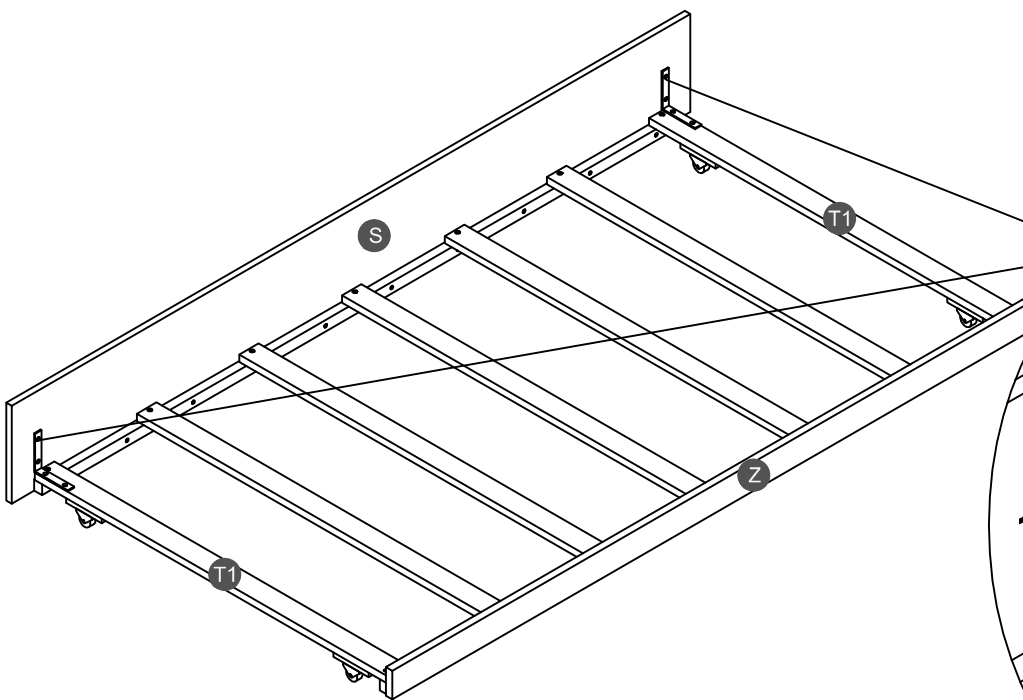


2PCS

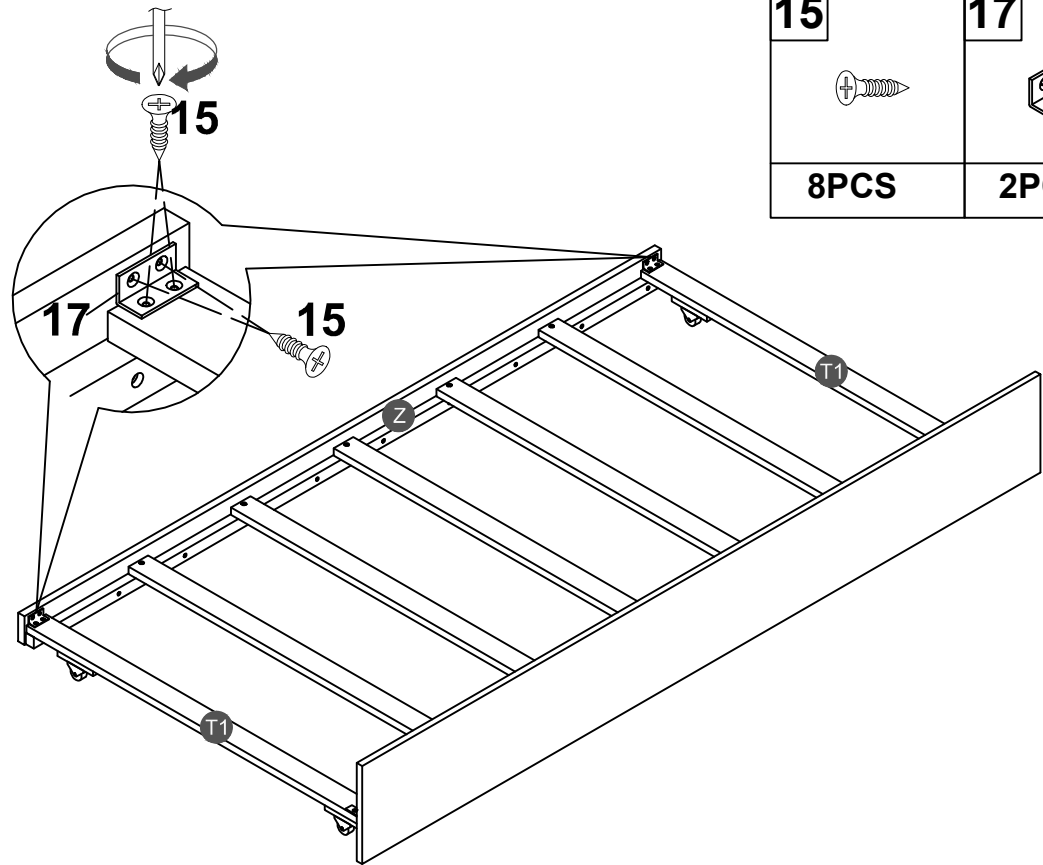
15



8PCS



STEP 13:



STEP 14:

