

Laurel  Mountain

Shower Door



**RAMER**  
**SHOWER DOOR**  
INSTALLATION  
GUIDE

## PLEASE REVIEW THIS ENTIRE MANUAL PRIOR TO INSTALLATION

### Model #s Covered by This Manual

**Ramer**

LM3260SHCM1S4PLO64/ LM3260SHCM1S4Pr064  
 LM3260SHBN1S4PLO64/ LM3260SHBN1S4PRO64  
 LM3260SHMB1S4PLO64/ LM3260SHMB1S4PRO64

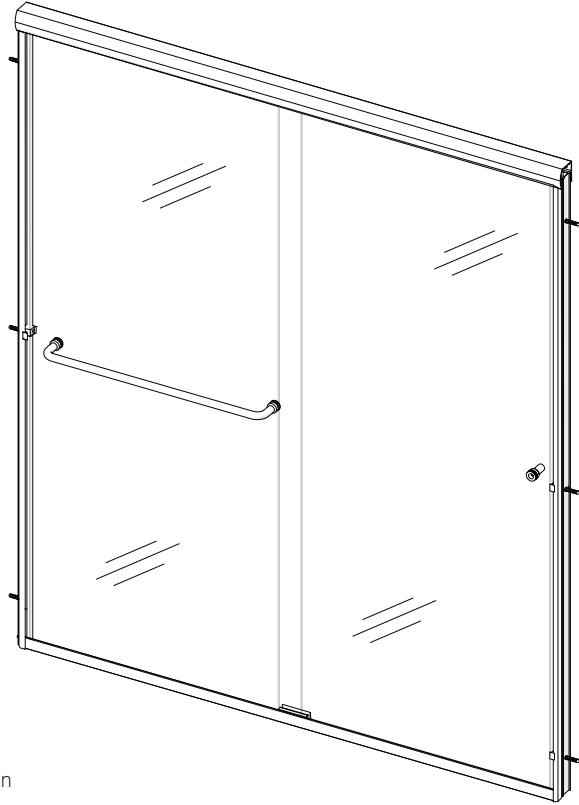
**Ramer With Shower Door**

LM3260SHDCM1S4PLO64/LM3260SHDCM1S4PRO64  
 LM3260SHDBN1S4PLO64/LM3260SHDBN1S4PRO64  
 LM3260SHDMB1S4PLO64/LM3260SHDMB1S4PRO64

**Note:** Right side shower head installation shown as example.  
 Available in Shower and Tub Height.  
 Installation methods are identical.

### IMPORTANT!

Laurel Mountain reserves the right to alter, modify or redesign products at any time without prior notice for the purpose of product improvement and customer experience. Please refer to the model's web page on laurelmountain.com for the latest technical drawings, installation manuals, warranty information or additional product details.



Do Not Return Product to the Store. Contact Laurel Mountain with any questions.

**Questions?** Please Call Laurel Mountain Customer Support: (800)-930-0050

**Record the following purchase information for your records or in the event you need to contact Laurel Mountain:**

Purchase Order  
 Number \_\_\_\_\_

Store/Vendor  
 Purchased From \_\_\_\_\_

Installation Date \_\_\_\_\_

OD Number \_\_\_\_\_  
 (optional) \*found on the shipping box or label if available.

Installed By: \_\_\_\_\_

SKU Number \_\_\_\_\_

## Contents

Important Information .....	4
Tempered Glass Warning .....	4
General Preparation.....	5
WARNING: To Avoid The Risk Of Damage Or Injury.....	5
Pre-Installation Planning .....	6
Shower Door Components.....	7
Installation Instructions .....	8
Tools and Materials for Proper Installation .....	8
Installation Procedure.....	8
Product Maintenance.....	16
Bases and Backwalls.....	16
Glass.....	16
Hardware.....	16
Maintenance Checklist.....	16
Troubleshooting.....	17

## Important Information

Laurel Mountain reserves the right to alter, modify or redesign products any time without prior notice for product improvement and customer experience. Please refer to the model's web page on [laurelmountain.com](http://laurelmountain.com) for the latest technical drawings, installation manuals, warranty information or additional product details.

- ▲ This product should be installed by someone familiar with the construction requirements for this type of project and the care necessary for the safe installation and operation of the product.
- ▲ The safety of any installation is the responsibility of the installer.
- ▲ Professional installation recommended. (All Models)
- ▲ To prevent damage or serious injury, Do Not lean against the installed panel/door/glass.
- ▲ To prevent damage or serious injury: Do Not attempt to lift or move a heavy lite of glass alone. Use an assistant and/or a professional grade glass suction cup.
- ▲ The installation of some models may require drilling down into the threshold. Contact the manufacturer of the base, tub, or threshold material with any questions regarding the drilling of holes into their product.
- ▲ All drawings in this installation manual are for illustrative purposes only and are not drawn to scale.

### Tempered Glass Warning

#### **YOUR SHOWER DOOR GLASS COULD SHATTER WITHOUT WARNING IF IMPROPERLY INSTALLED OR MISHANDLED.**

Do Not install or operate a shower door if the glass has chipped corners, slivered edges or is otherwise damaged and/or has been dropped or banged into a hard surface such as tile, marble or glass.

#### **The main causes of tempered glass breakage are:**

- ▲ **Improper handling, storage, unpacking or installation**
  - Corners and edges are the most susceptible area to damage on a lite of tempered glass and should be protected and handled with care during storage, unpacking, installation and operation. A concentrated point of pressure or impact with a surface harder than itself may cause the tempered glass to shatter. The tempered glass may release immediately, within several hours or even days later.
- ▲ **Misuse/abuse**
  - Aggressively opening or closing the door may cause trauma to the glass, which can lead to breakage. This may occur immediately or hours or even days later.
  - Additional considerations should be given to the installation of frameless tempered glass products in households with young children or an elderly person due to an increased chance of improper handling. In such cases, alternatives such as shower curtains or grab bars should be considered.
- ▲ **Lack of maintenance/failure to replace damaged glass**
  - The shower door hardware and glass should be inspected periodically: Instruct the homeowner how to perform a periodic inspection of the shower hardware and glass - some minor adjustments may be necessary based upon the use (or misuse) of the shower door. Ensure that the hardware remains tight and that the door alignment and operation are correct. Any adjustments should be made upon discovery to prevent damage to the product.
- ▲ **Incorrect installation of door hardware, rollers, hinges, channels, stopper or glass:**
  - Improper installation may include: loose hardware and/or lack of proper gaskets between the hardware and glass. Additionally, improper alignment of guide rails, wall profiles or other hardware during installation or operation may place stress on the glass edges and cause it to break.
  - This product must be installed by a professional and experienced installer familiar with the safe handling of tempered glass.

## General Preparation

- ▲ After opening all boxes and packages, read this introduction carefully. Check that all the items are included in the package by marking off the components on the **Shower Door Components** page. Examine all boxes and packages for shipping damage. If the unit has been damaged, has a finishing defect, or is missing parts; please contact our Customer Support department within 3 business days of the delivery date.  
**Please note that Laurel Mountain will not replace any damaged products or missing parts free of charge after 3 business days or if the product has been installed.** Please contact Laurel Mountain if you have any questions.
- ▲ **Please note that you should refer to your local building codes with questions on installation compliance standards. Building and plumbing codes may vary by location, and Laurel Mountain is not responsible for code compliance standards for your project and will not accept any returns.**
- ▲ If this unit is going to be installed in a new construction, install all the required plumbing and drainage before installing the shower. **Use a competent and licensed (if required by local code) plumber for all plumbing installation.**
- ▲ Make sure that prior to beginning the installation, the surfaces are leveled and solid and will be able to support the total weight of the unit. Also make sure the walls are at right angles. Irregular installation surface level, radius corners or improper angle of side walls will result in serious problems for your installation. Please note that some adjustments and drilling will be necessary during the installation process.
- ▲ Protect all primary surfaces of the product during installation. Never set your glass down directly onto a tile floor. Always use a piece of wood or cardboard to protect the bottom edge and corners of the glass prior to and during installation.
- ▲ This unit must be installed upon a finished threshold and against finished walls.
- ▲ Laurel Mountain shower doors are not designed to be installed into a fiberglass surround due to the radius corners and lack of a solid surface to mount the hardware.

### **WARNING: To Avoid The Risk Of Damage Or Injury**

- ▲ **Follow all recommendations and requirements as shown in the installation instructions.**
- ▲ Perform a thorough inspection of the glass and all parts for any damage prior to installation. Any damage to tempered glass can cause breakage. **DO NOT install damaged glass!**
- ▲ Do Not install or operate a shower or tub door if the glass has chipped corners, slivered edges or is otherwise damaged. Do Not install or operate a shower or tub door that has been dropped or banged into a hard surface such as tile, marble or glass.
- ▲ **CAUTION:** Contact with any hard surface can damage tempered glass and cause it to shatter.
- ▲ This product uses tempered glass. Glass cannot be cut after it has been tempered. **DO NOT attempt to cut tempered glass.**
- ▲ Laurel Mountain Glass Shower doors, Tub doors, Inline panels, and Return panels can shatter due to improper handling or lack of maintenance. Conduct periodic inspections of glass and all parts for possible damage, missing or loose parts.
- ▲ Always wear proper safety equipment such as: safety goggles, work gloves and appropriate footwear during the installation process.
- ▲ **WARNING. Risk of leakage and/or damage.** Follow all instructions regarding the application of silicone sealant or caulk. Allow 24 hours for the sealant to cure before the initial use of the shower or tub product. Follow the silicone manufacturer's recommendations regarding the use of their product.
- ▲ **Thoroughly read these instructions before installing or using this product.**
- ▲ **Leave this manual for the end-user of the product.**

## Pre-Installation Planning

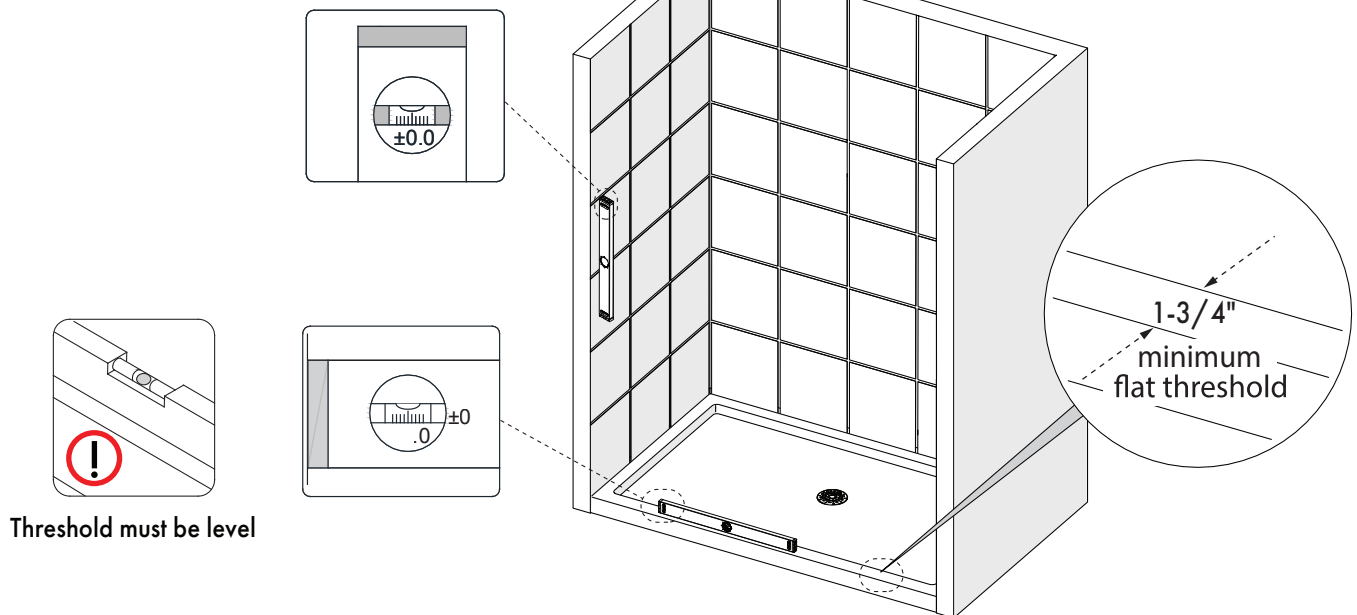
Unpack your unit carefully and inspect it. Lay it out and identify all parts using the Detailed Diagram on page 7; and packing list in this manual as a reference. Before discarding the carton, check for small hardware bags that may have fallen to the bottom of the box. If any parts are damaged or missing, please contact Laurel Mountain for replacement. The shipping boxes may contain extra parts not used in your model configuration. Retain these installation instructions for future reference.

- ▲ Verify that the correct model size has been ordered; measure the finished opening before proceeding with the installation.
- ▲ Confirm that the finished walls are plumb and the threshold is level and pitched into the shower area.
- ▲ Use a good quality waterproof, mildew-resistant 100% silicone caulk.
- ▲ Cover the shower/tub drain with tape prior to installation to prevent the loss of screws or small parts.
- ▲ DO NOT attach the handle to the door glass until instructed.
- ▲ DO NOT attempt to use the handle to lift the door glass during installation. This may result in damage to the glass and/or serious injury. Always use a professional grade glass suction cup and an assistant.

### ⚠ WARNING

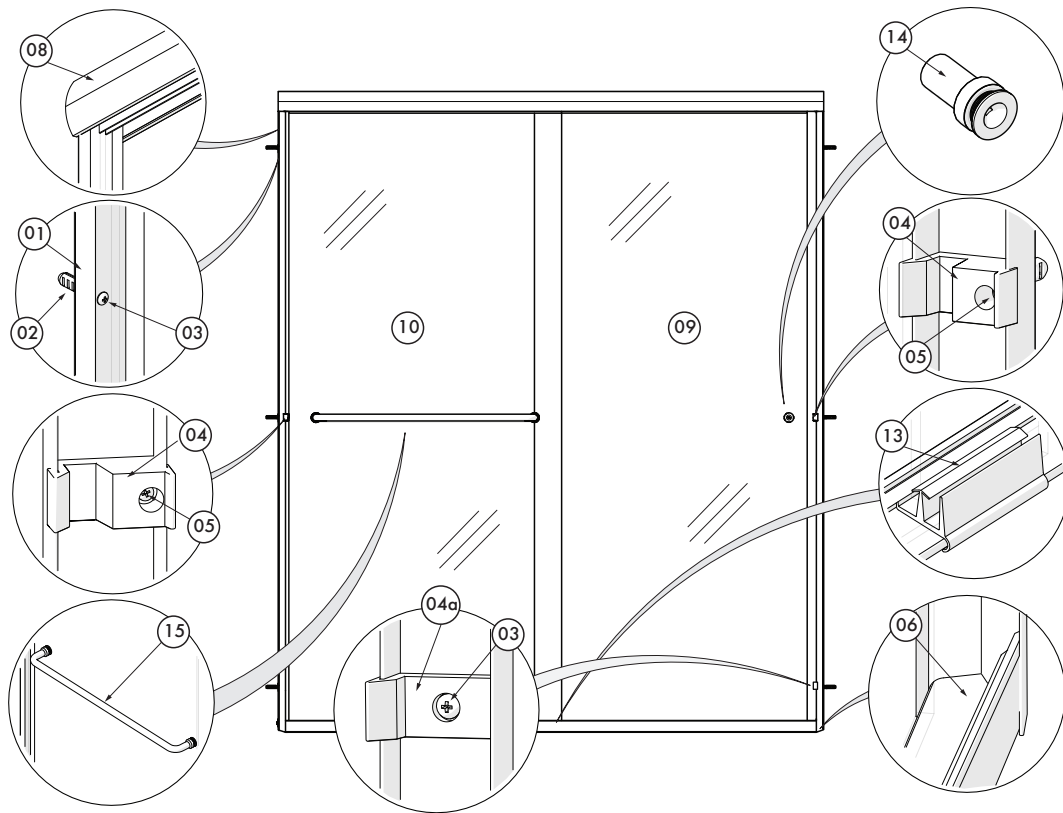
**REQUIRED**

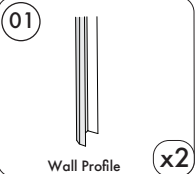
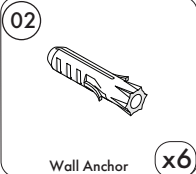

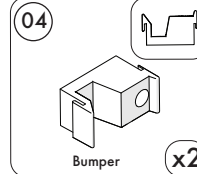
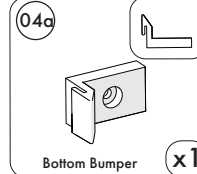
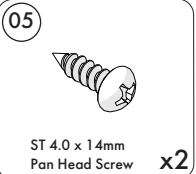
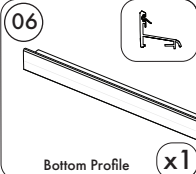
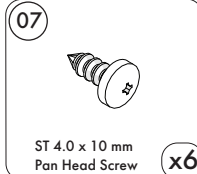
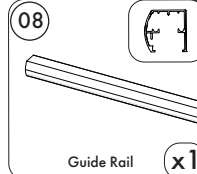

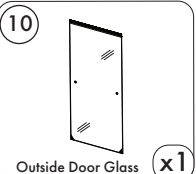
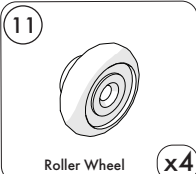
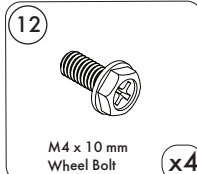
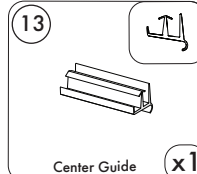
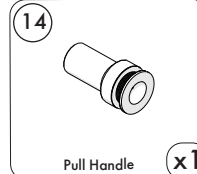
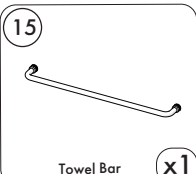

1/4" Out-of-Plumb Adjustment;  
Verify threshold and walls with a level



**TIP:** This door is reversible. The inside door glass can be installed on either side of the shower, and should always be installed on the shower head side of the shower to avoid leaking between the doors.

## Shower Door Components



 <p>01 Wall Profile x2</p>	 <p>02 Wall Anchor x6</p>	 <p>03 ST 4.2 x 35 mm Truss Head Screw x6</p>	 <p>04 Bumper x2</p>	 <p>04a Bottom Bumper x1</p>
 <p>05 ST 4.0 x 14mm Pan Head Screw x2</p>	 <p>06 Bottom Profile x1</p>	 <p>07 ST 4.0 x 10 mm Pan Head Screw x6</p>	 <p>08 Guide Rail x1</p>	 <p>09 Inside Door Glass x1</p>
 <p>10 Outside Door Glass x1</p>	 <p>11 Roller Wheel x4</p>	 <p>12 M4 x 10 mm Wheel Bolt x4</p>	 <p>13 Center Guide x1</p>	 <p>14 Pull Handle x1</p>
 <p>15 Towel Bar x1</p>	 <p>16 ST4.0 x 6mm Pan Head Screw (S-Curved Glass Only) x2</p>			

# Installation Instructions

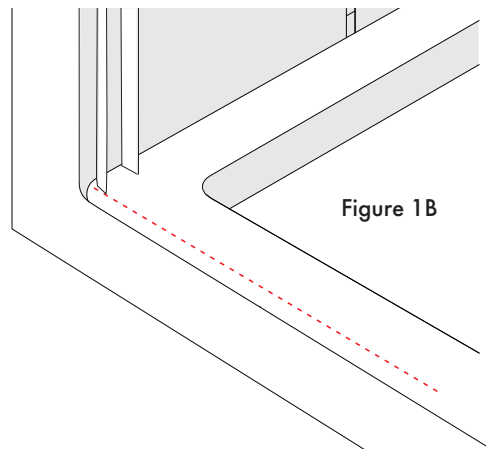
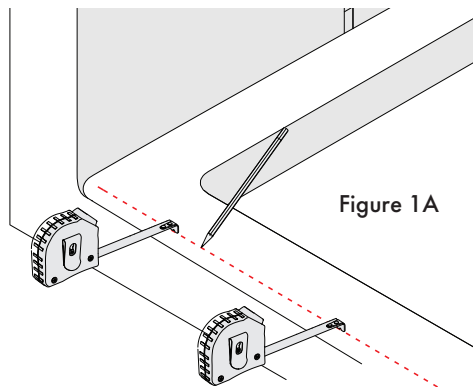
## Tools and Materials for Proper Installation



**Average Installation Time: 45 minutes**

## Installation Procedure

1. A. Locate and mark a line on the threshold or tub deck 7/8" from the outside edge of the base. Extend the mark across to both walls.
- B. Install both wall profiles on the inside of the line..



2. A. Level (plumb) both Wall Profiles- #01)
- B. Mark the holes for drilling.
- C. Drill three Ø 1/8" (3mm) holes on each side wall.

If a stud is present behind the wall: Drill a Ø 9/64" (4mm) hole up to the stud, then drill a Ø 1/8" (3mm) pilot hole in the wood.

**TIP:** Be sure all pilot holes are the correct size. Always use low torque and steady pressure when securing stainless steel screws to avoid stripping or breaking off the screw heads.

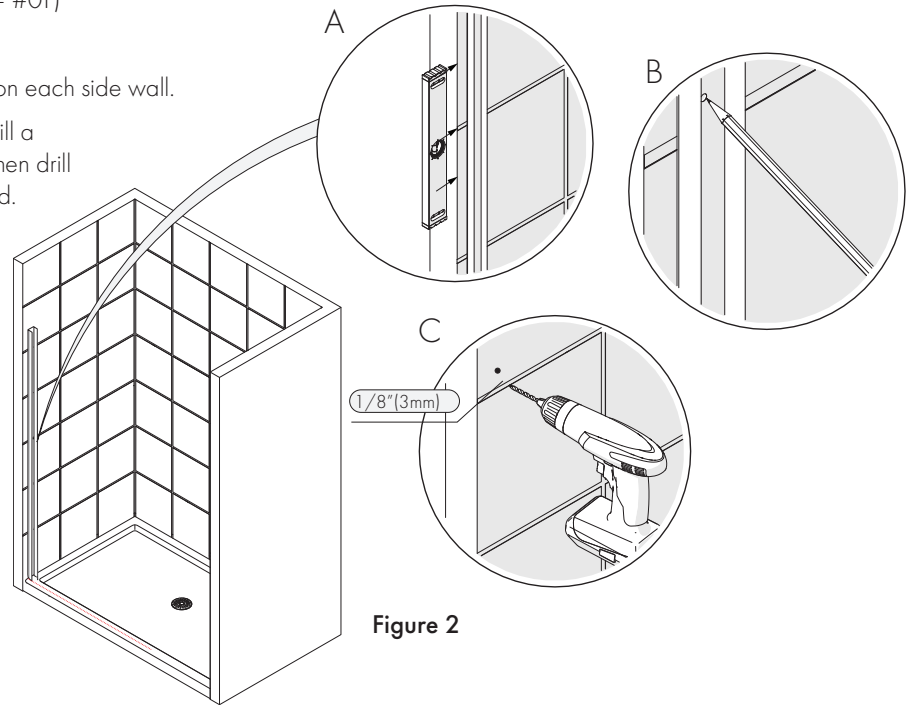


Figure 2

3. A. Apply silicone to the backs of the Wall Profiles- #01.
- B. Install the Wall Profiles using the ST4.2 x 35mm x6 Truss Head Screws- #03.
- C. The Bottom Bumper- #04a is also installed using the ST4.2 x 35mm 04 Truss Head Screws- #03, while installing the Wall Profile- #01 on the shower head side of the shower.
- D. Install it in the lowest screw hole on the Wall Profile- #01.
- E. The remaining Bumpers- #04 are installed after both Wall Profiles- #01 are installed.
- F. The two upper Bumpers- #04 are installed using the ST4.0 x 14mm x2 Pan Head Screw- #05.

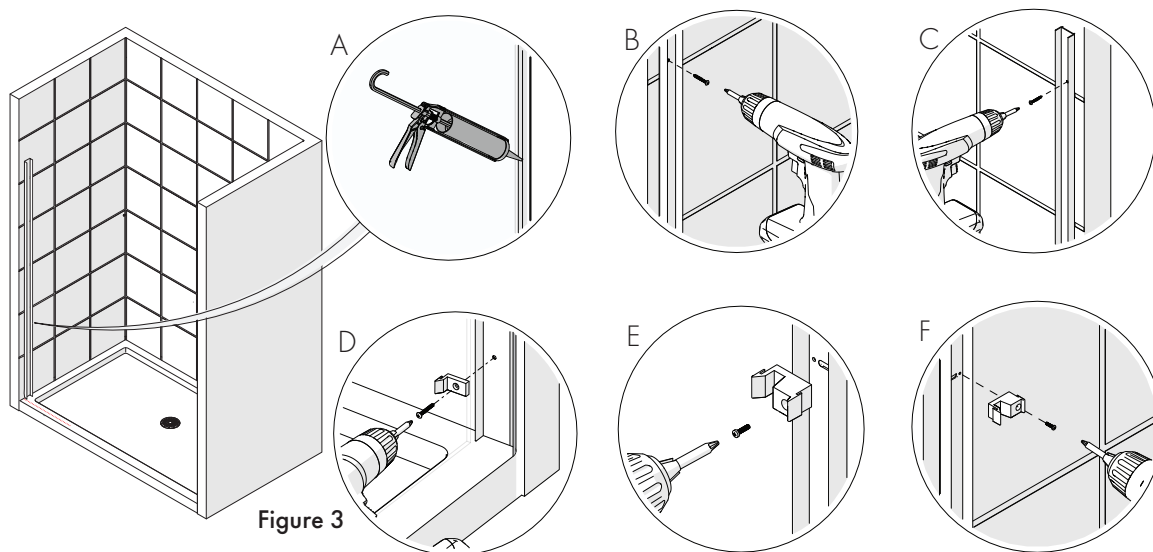
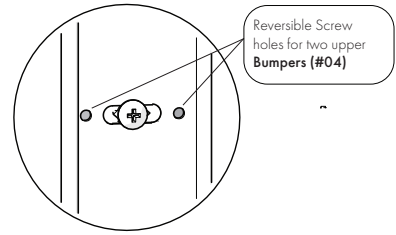


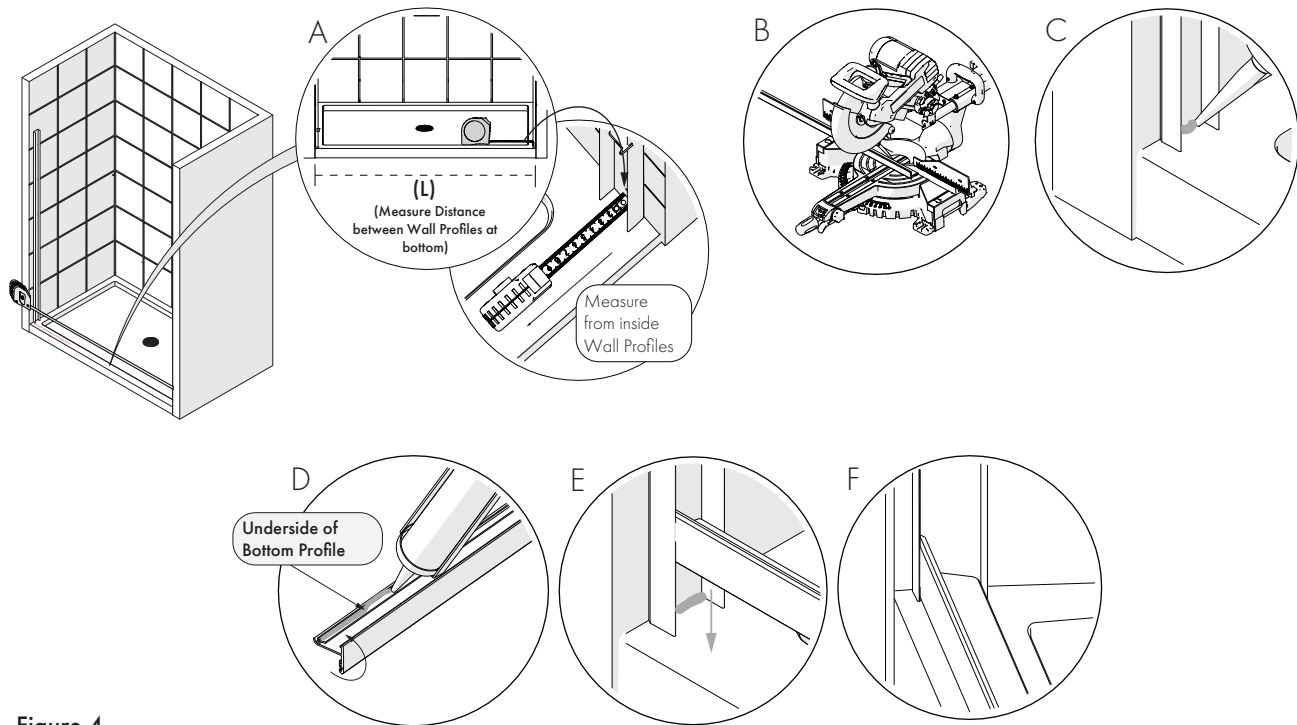
Figure 3

**TIP:** Note the opposite orientation of the two upper *Bumpers*– #04. The bumper slot for the *Inside Door Glass*– #09 faces the inside of the shower on the shower head side. (See Figure 3D) The bumper slot for the *Outside Door Glass*– #10 faces the outside of the shower on the opposite wall. See Figure 3E.



**NOTE:** Apply dish soap to the screw threads and use a Phillips screwdriver to install screws to avoid stripping the screws

4. A. Measure Distance between inner wall profiles at bottom.
- B. Cut *Bottom Profile*– #06 1/16" (1.5 mm) shorter than this measurement.
  - TIP:** Use a metal file to remove any burrs from the *Guide Rail*– #08 or *Bottom Profile*– #06 after cutting.
- C-D. Apply a bead of silicone.
- E-F. Place bottom profile in place.



**Figure 4**

5. A. Measure Distance between both walls, above the profiles.
- B-C. Cut *Guide Rail*– #08 1/16" (1.5 mm) shorter than this measurement.
- D. Place top profile in place.
- E-F. Secure both sides with ST4.0 x10mm Screws.

**TIP:** Use a metal file to remove any burrs from the *Guide Rail*– #08 or *Bottom Profile*– #06 after cutting.

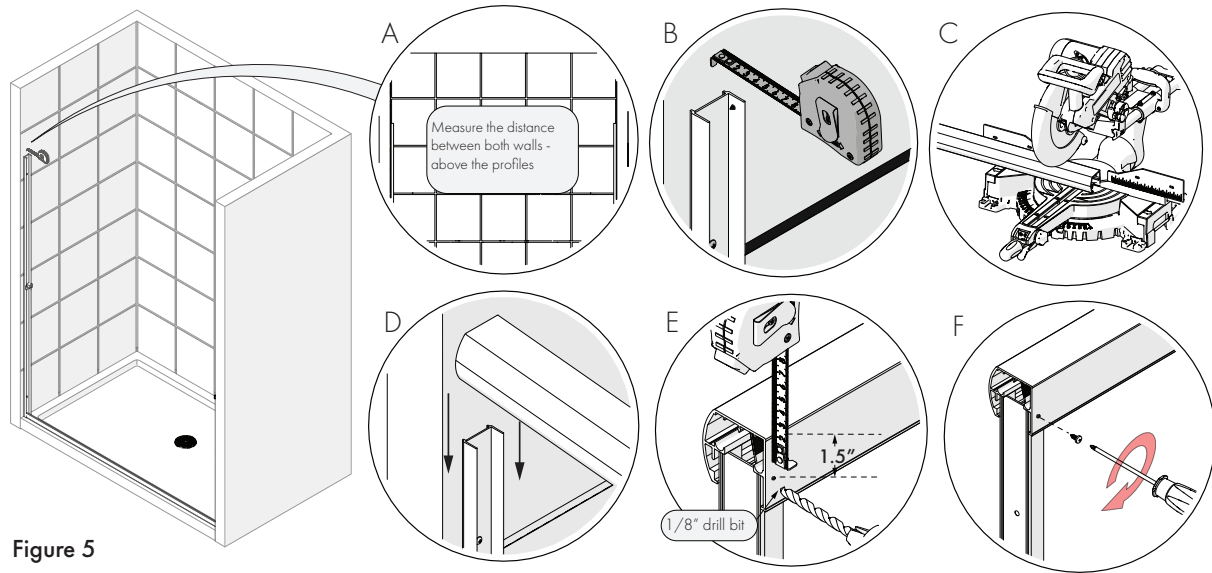


Figure 5

6. Install all four *Roller Wheels*– #11 at the center of the angled slots on top of both lites of *Door Glass*– #09 and #10 to enable adjustment (if needed). Use the *M4 10mm Wheel Bolts*– #12 to x1 secure the *Roller Wheels*– #11. See Figure 6A. Note the reverse direction of the *Roller Wheels*– #11 on the *Inside* and *Outside Door Glass*. See Figure 6B.

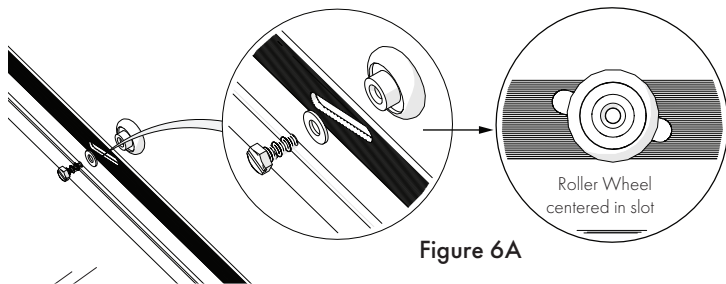


Figure 6A

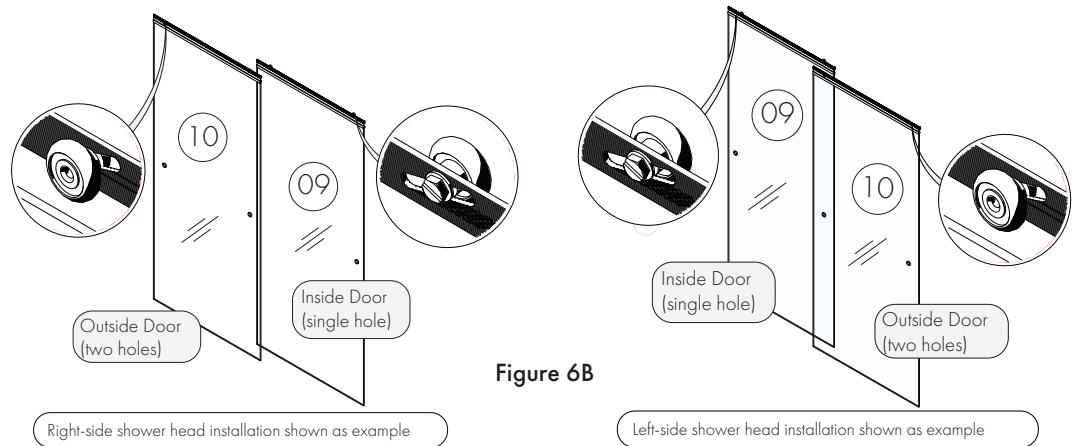
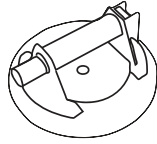


Figure 6B

7. **Be extremely careful of the glass edges when handling or moving the door glass.**  
Do not set the glass down on any hard surfaces. Use a glass suction cup when moving glass.



**IMPORTANT:** Place both glass doors in the rear of the shower opening, *Inside Door Glass*– #09 first, followed by the *Outside Door Glass*– #10.

Be careful to protect the edges of the glass. Cushion the underside of the glass and between the two glass doors. Be sure that both glass doors and *Roller Wheels*– #11 are oriented in the correct position for installation. See Figure 7. (Right-side shower head installation shown as example.)

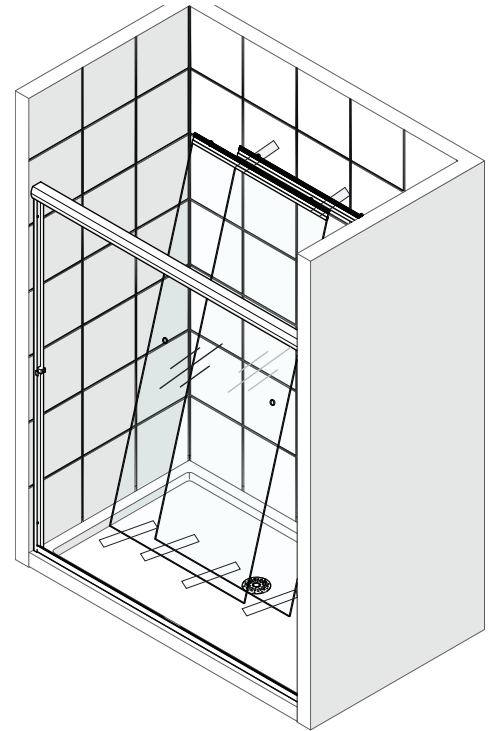


Figure 7

8. A. Install the *Outside Door Glass*– #10 first, from outside the shower. Face the *Roller Wheels*– #11 toward the outside of the shower and lift the Door Glass into the track in the *Guide Rail*– #08.
- B. Once the Roller Wheels are securely in the track, allow the Door Glass to hang plumb.
- Be extremely careful of the glass edges when handling or moving door glass.**  
Do not set the glass down on any hard surfaces. Use a glass suction cup when moving glass.

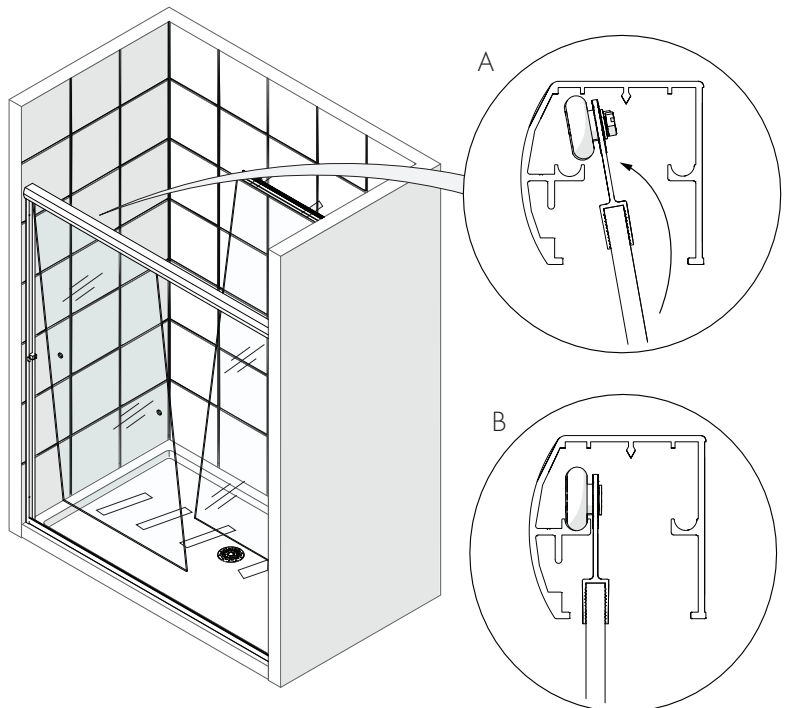
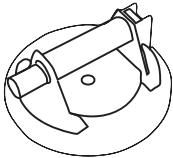
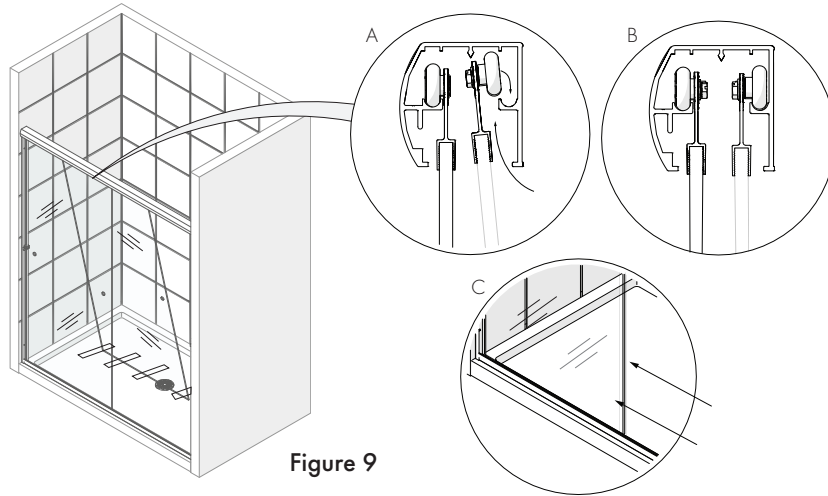
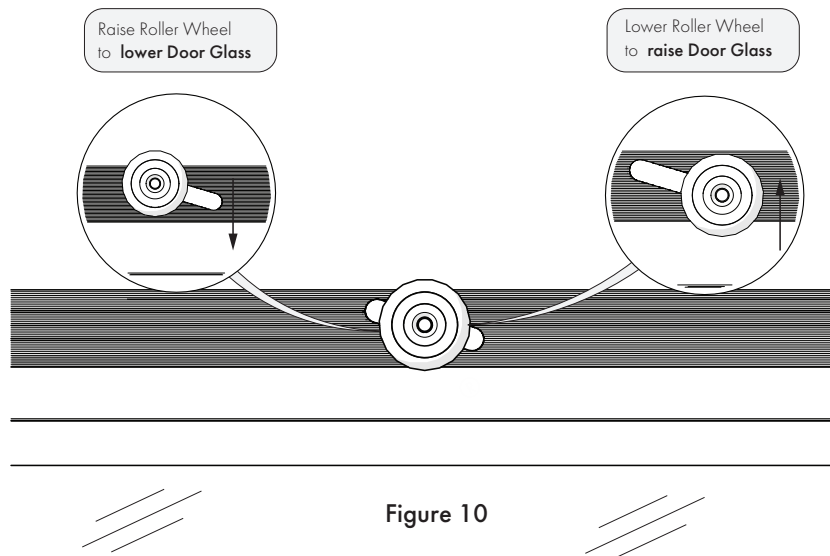


Figure 8

9. A. From inside the shower, lift the Inside Door Glass- #09 (with the Roller Wheels facing the rear of the shower) up into the Guide Rail- #08 at an inward angle and place the Roller Wheels- #11 into the inside track in the Guide Rail- #08.
- B. Allow both doors to hang freely.
- C. Slide them both to one side of the shower.



10. The Roller Wheels can be adjusted to better align the vertical edges of the Door Glass with the Wall Profiles if needed, to prevent leaks. In order to adjust either side of either door up or down, remove that door from the Guide Rail- #08. Use a helper and be careful to protect the glass edges. Adjusting a Roller Wheel up (higher in the slot) will lower the door glass, and adjusting a Roller Wheel down (lower in the slot) will raise the door glass.



11. A. Place the *Center Guide*– #13 on the *Bottom Profile*– #08 as shown, to one side of both doors. Using a silicone gun, squirt a small drop of silicone in the middle of the bottom profile using a silicone gun.
- B. (1) Insert the front lip of the *Center Guide* into the slot on the inside of the *Bottom Profile* and snap the *Center Guide* down over the inside of the *Bottom Profile*. (2) Move the installed *Center Guide* to the center of the *Bottom Profile*, halfway beneath the door glass. As an option, drill a  $\varnothing$  1/8" hole through the *Center Guide* and into the *Bottom Profile*. Install a #6 x 3/8" *Pan Head Screw*– #07. Fig 11
- C. Insert front lip in *Bottom Profile*, slide to center (over silicone).
- D. Snap down. (Right-side shower head installation shown as example.)

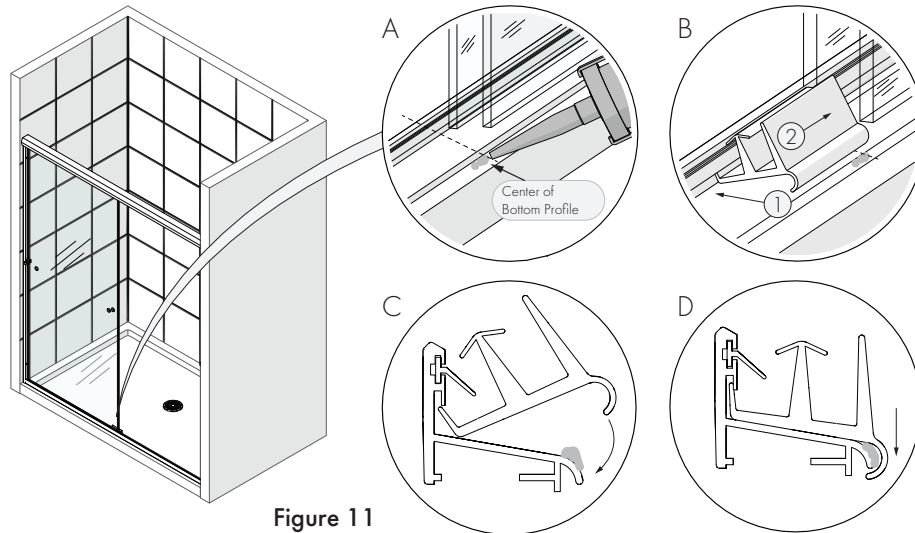


Figure 11

12. A. Install the *Towel Bar*– #15 through the two holes in the *Outside Door Glass*– #10, using gaskets on both sides of the glass. The provided Allen wrench can be inserted into the holes in the bolt heads for tightening. If the model being installed contains two *Towel Bars*– #15, install both of them now.
- B. If the model being installed contains one *Towel Bar*– #15 and one *Pull Handle*– #14 install the *Pull Handle* in the single hole in the *Inside Door Glass*– #09 with the knob facing the inside of the shower. The gaskets install on both sides of the glass. The provided Allen wrench can be inserted into the hole in the bolt head to help tighten the knob. (Right-side shower head installation shown as example.)

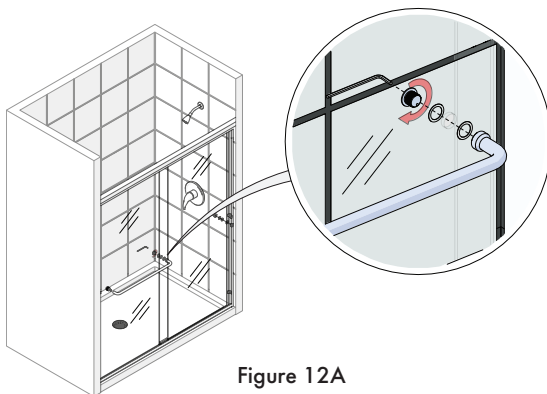


Figure 12A

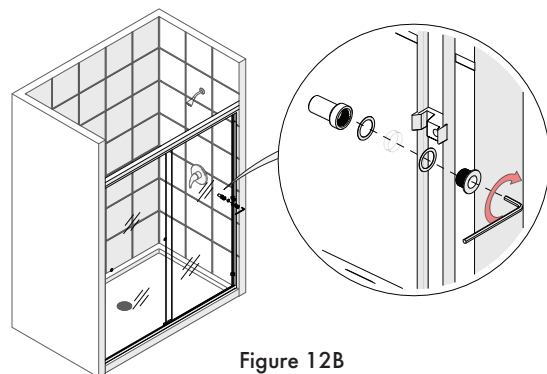


Figure 12B

13. Apply a quality, mold-resistant clear silicone to the entire interior perimeter of the shower door. Allow 24 hours for the silicone to set before using the shower.

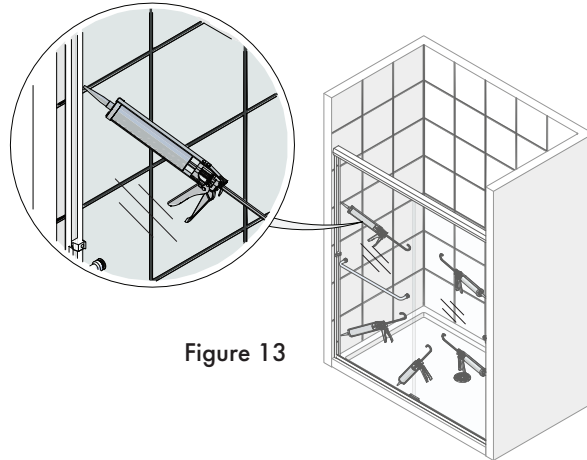


Figure 13

## Product Maintenance

### Bases and Backwalls

To ensure long-lasting life for your acrylic back walls: wipe them off after each use with a soft cloth. To clean the acrylic back walls use non-abrasive sprays or cream based cleaners. Avoid the use of aerosol spray cleaners. Never use abrasive cleansers, metal brushes or scrapers that could permanently scratch or dull the surface.

### Glass

To ensure long-lasting life for your glass shower products: wipe them off after each use with a soft cloth. Rinse and wipe off the glass using either a soft cloth or a squeegee to prevent soap buildup and water spots (Hard water can etch the surface of the glass over time if left to dry). To prevent scratching the surface: never use abrasive cleaners or cleaning products that contain scouring agents. Never use bristle brushes or abrasive sponges that may scratch the surface of the glass.

### Hardware

To ensure a long-lasting finish: wipe off all metal parts after each use with a soft cloth. Do not use abrasive cleaners or cleaning products containing ammonia, bleach or acid. If accidentally used, rinse the surface as soon as possible to prevent damage to the finish (peeling or corrosion). After cleaning the polished finishes, rinse thoroughly and wipe dry with a soft, clean cloth. Clean stainless steel surfaces at least once a week. When applying stainless steel cleaner or polish to stainless steel hardware, work with the grain (not across the grain). Never use an abrasive sponge or cloth, steel wool or wired brush as these may permanently scratch the surfaces.

To maximize the life of your door, it is important to regularly inspect the glass and other hardware for misalignment, proper attachment, and/or damage. Contact Laurel Mountain with any questions or concerns.

### Maintenance Checklist

- ▲ Check that the unit is stable, operates smoothly and that the installation is secure.
- ▲ Confirm that all screws/bolts are tight.
- ▲ Check door glass for smooth operation. Adjust height of door glass if needed (See Step 11).
- ▲ Inspect exposed and concealed glass edges for damage (damaged glass must be replaced!)
- ▲ Inspect silicone caulk for gaps. Replace silicone as necessary to prevent water leakage.

## Troubleshooting

Problem/Symptom	Suggested Solution	Page(s)
Missing Parts	<ul style="list-style-type: none"> <li>• Check all shipping/packaging material for missing parts/components.</li> <li>• If not found, contact Laurel Mountain Customer Support [1-800-930-0050] to order factory part replacement.</li> </ul>	7
Water Leakage	<ul style="list-style-type: none"> <li>• Check that the Inside Door Glass closes against the shower head side of the shower.</li> <li>• Check that the vinyl insert in the bottom rail isn't warped or bunched</li> <li>• Check that a good quality, mold-resistant silicone has been used around the entire interior perimeter of the shower door.</li> </ul>	13, 15
Door Glass rubbing on threshold	<ul style="list-style-type: none"> <li>• Check that threshold is level.</li> <li>• Check that roller wheels are tight and secure. Carefully remove Door Glass with a helper and adjust Roller Wheels if necessary.</li> </ul>	6, 13
Door Glass not closing evenly with wall profiles	<ul style="list-style-type: none"> <li>• Carefully remove the Door Glass with a helper and adjust one or both Roller Wheels to align the edge of the Door Glass with the Wall Profile.</li> </ul>	12, 13
Door Glass not tracking smoothly through Center Guide	<ul style="list-style-type: none"> <li>• Check that the Center Guide is installed correctly. If the Center Guide is moving, see instructions to secure the Center Guide to the Bottom Rail with a screw.</li> </ul>	14
Door Glass not meeting bumpers correctly	<ul style="list-style-type: none"> <li>• Check that all three Bumpers are installed correctly and are installed on the correct sides of the shower opening.</li> </ul>	9
Outside door difficult to move	<ul style="list-style-type: none"> <li>• Check to make sure the seal is not pinched. Push the seal downward to create an even seal with the glass.</li> </ul>	14
Door Glass binds against Vinyl Insert in the Bottom Rail	<ul style="list-style-type: none"> <li>• Check the distance between front of either Door Glass and the bottom rail, then move the Door Glass to the other side of the shower and check the same measurement. If different, the Wall Profiles may need to be adjusted or reinstalled.</li> </ul>	8, 13

**TIP:** Prior to contacting Laurel Mountain Customer Service, please have the following information readily available:

- Purchase Order Information
- Name, PO Number, Dealer/Vendor Name, etc.
- SKU/Model Number (see Inside Cover Page)

Laurel  Mountain

Customer Service: 800-930-0050 • [laurelmountain.com](http://laurelmountain.com)